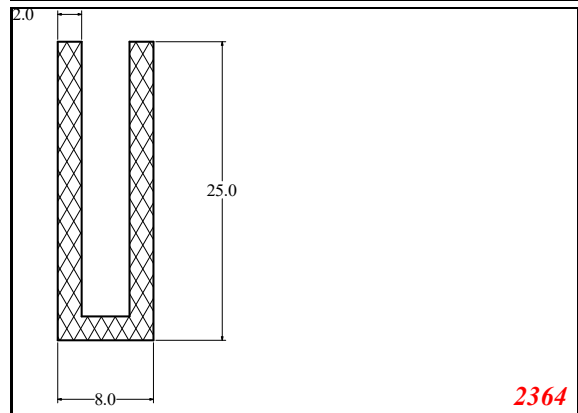
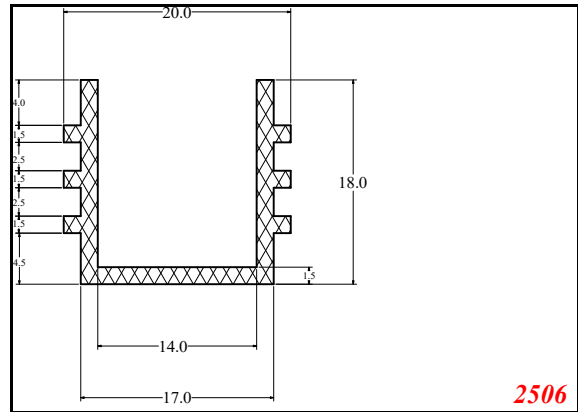
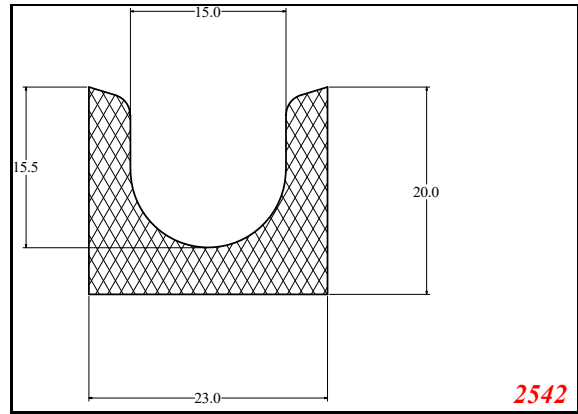
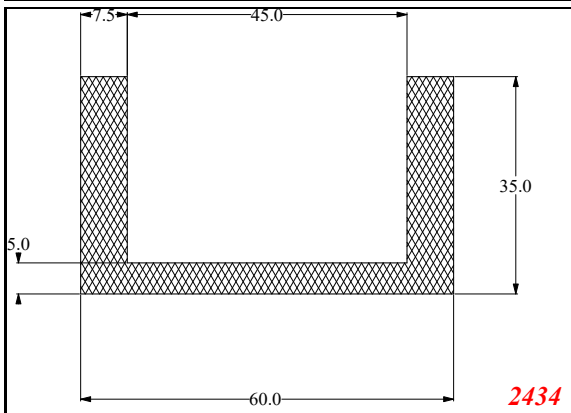
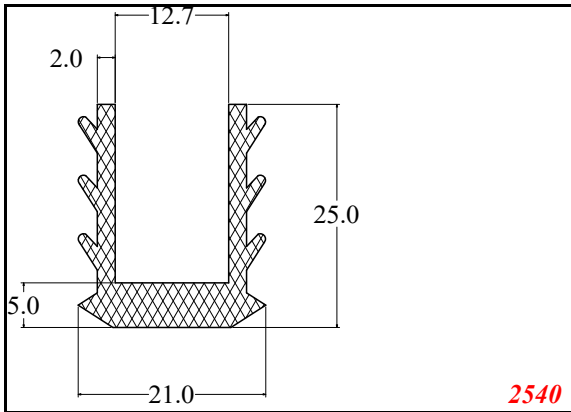
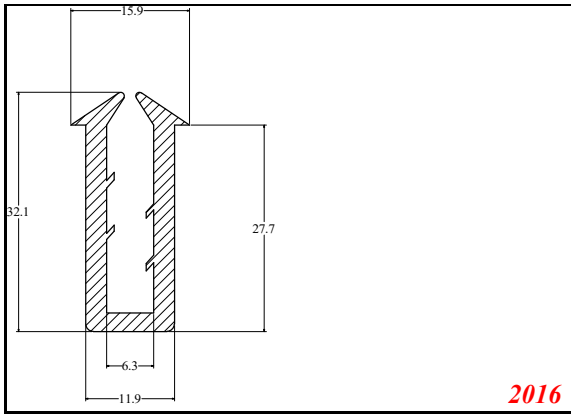
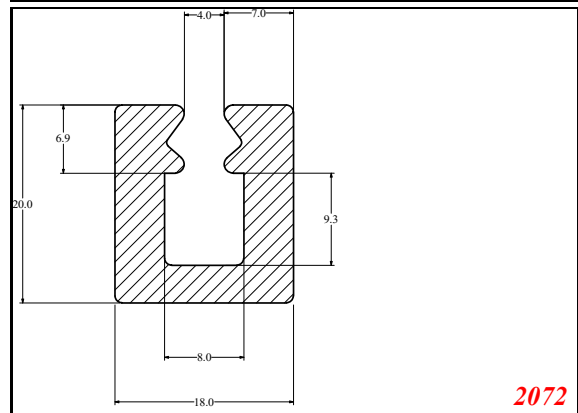
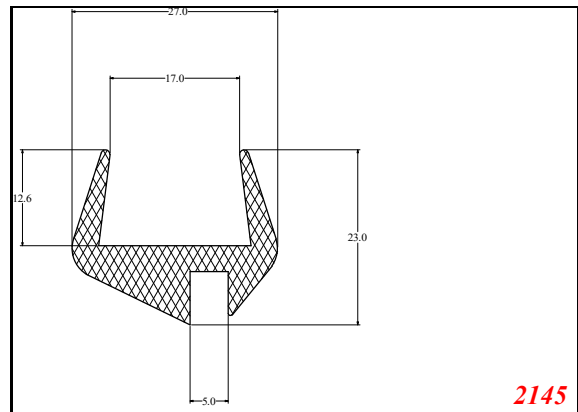
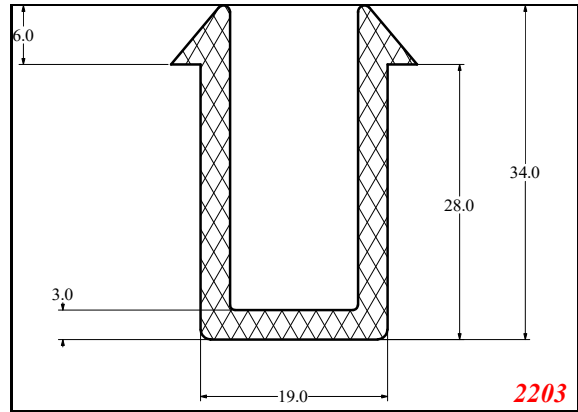
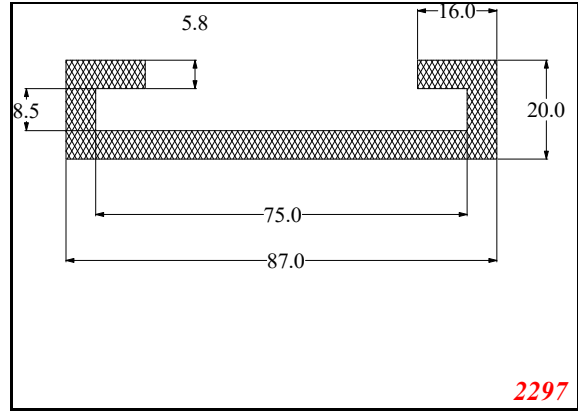
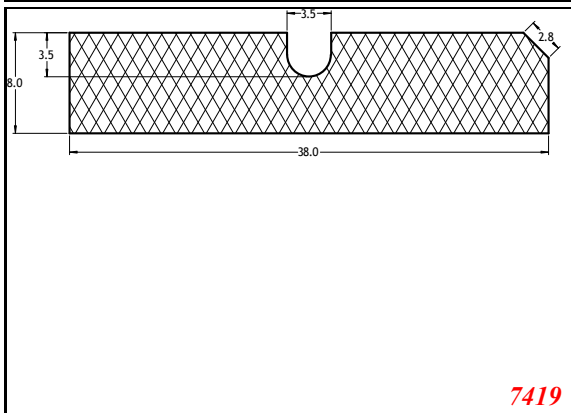
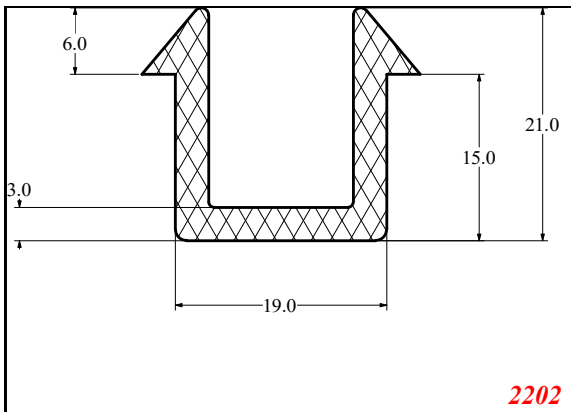
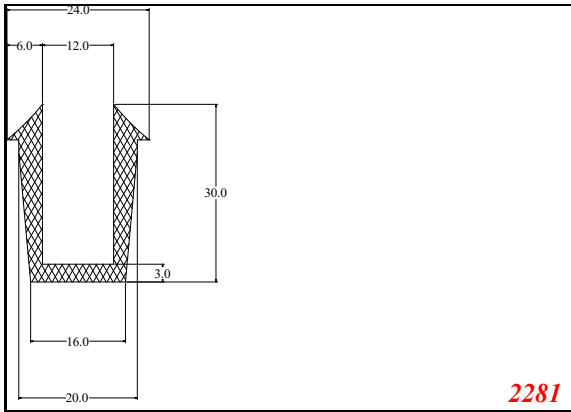
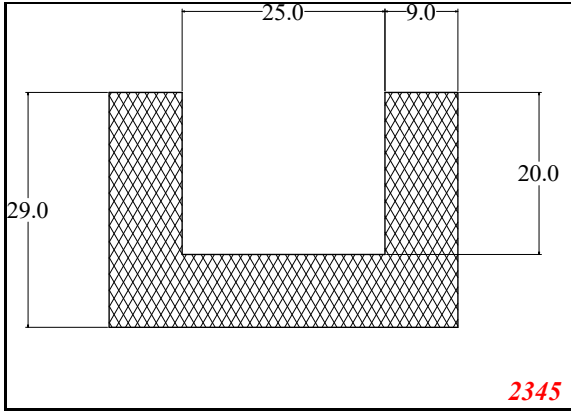


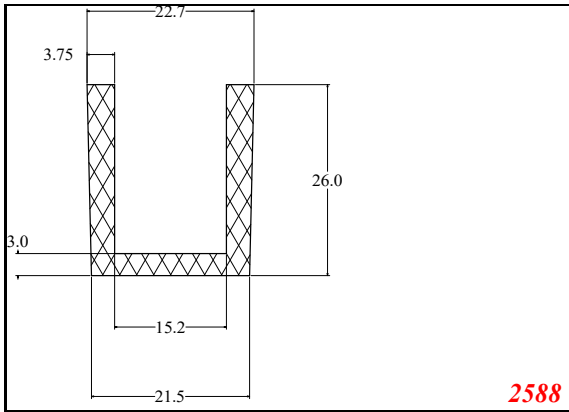
U-Large



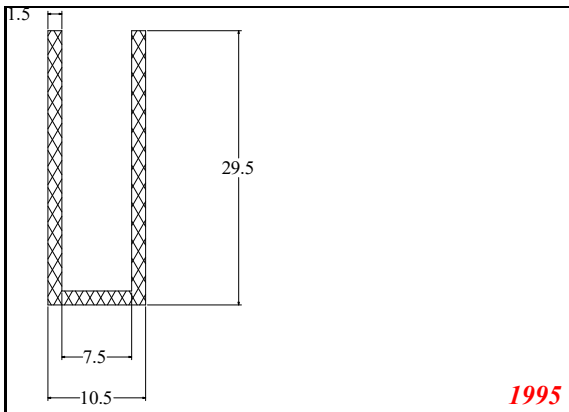
U-Large



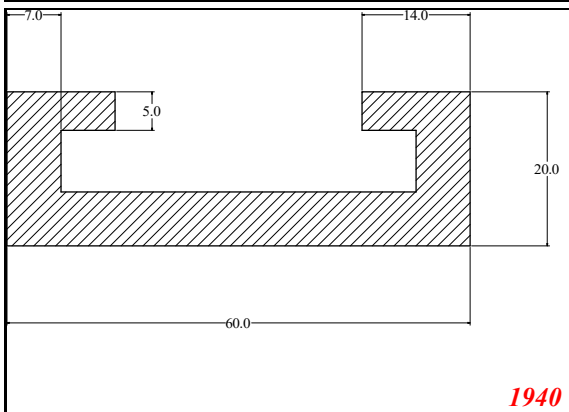
U-Large



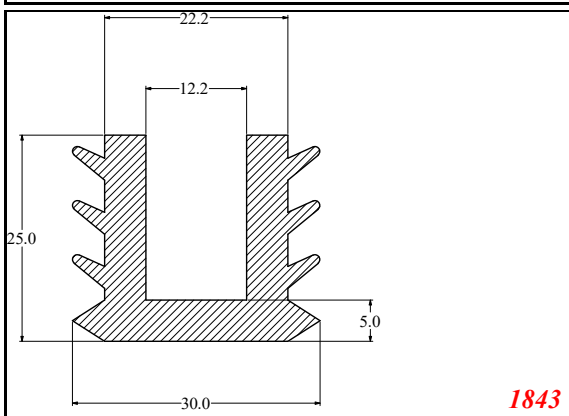
2588



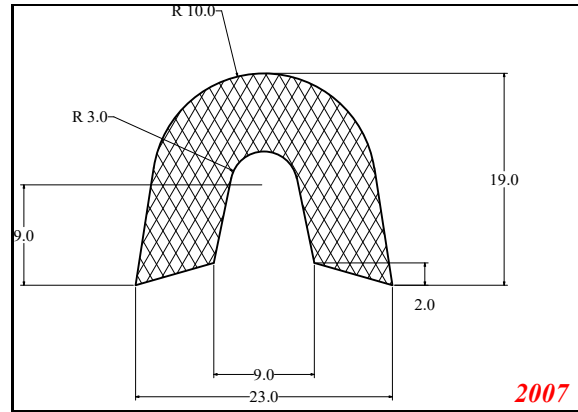
1995



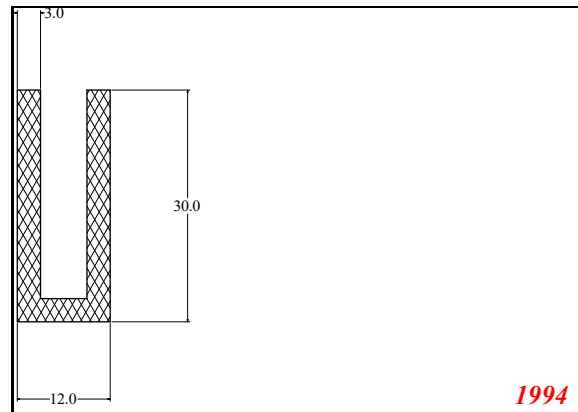
1940



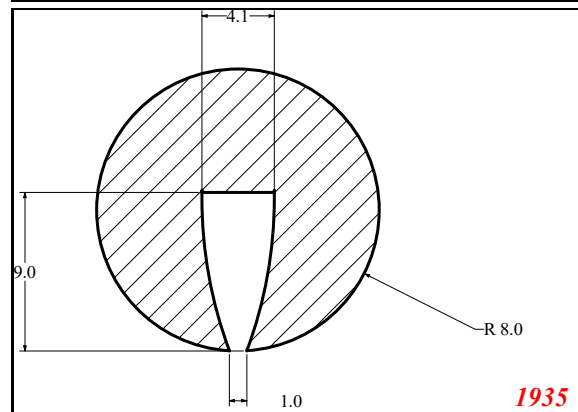
1843



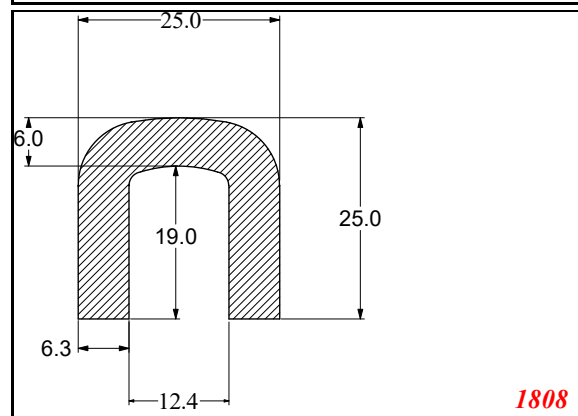
2007



1994

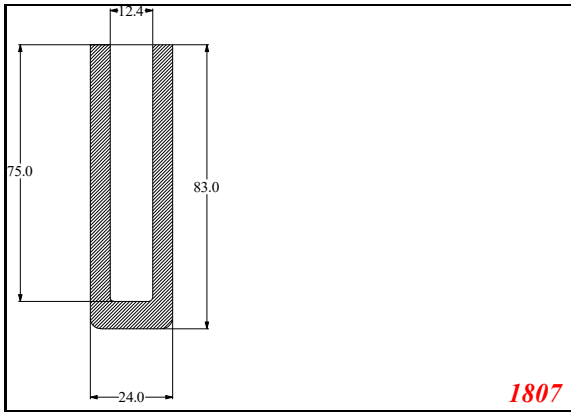


1935

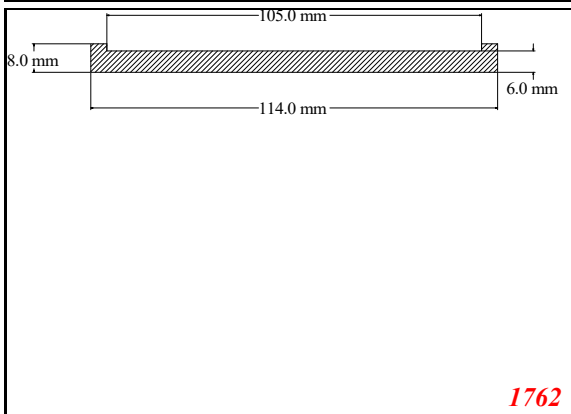


1808

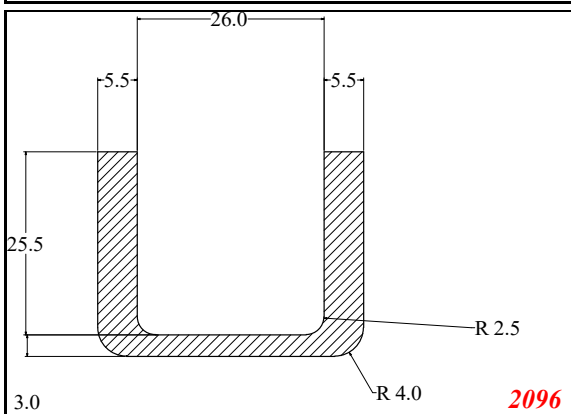
U-Large



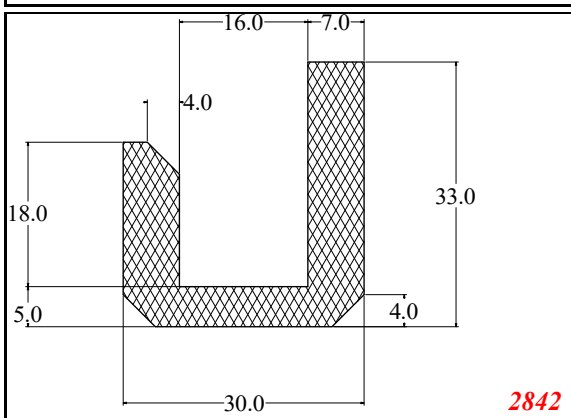
1807



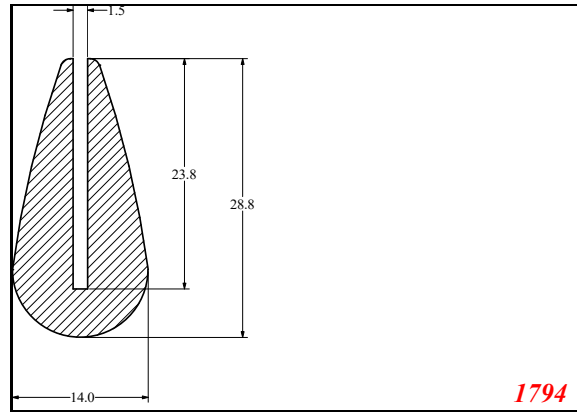
1762



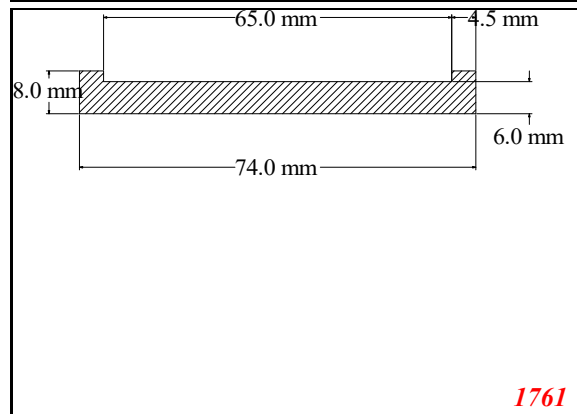
2096



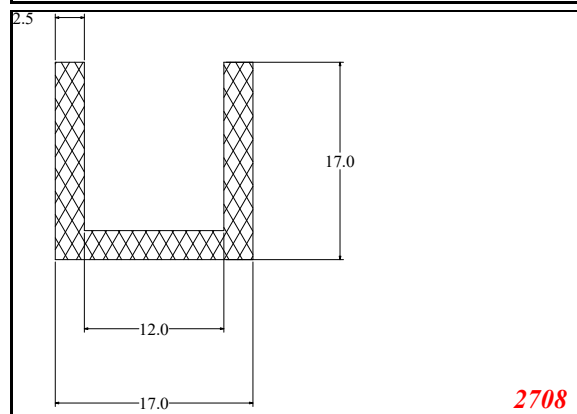
2842



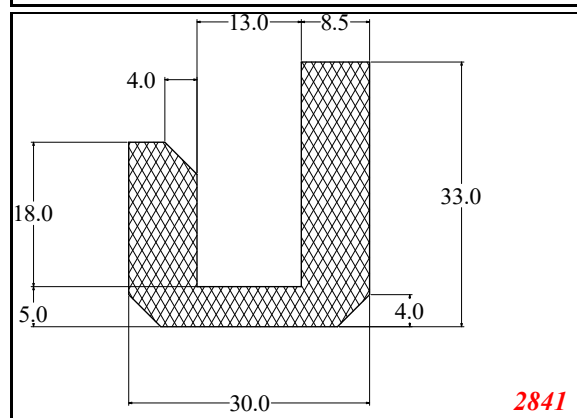
1794



1761

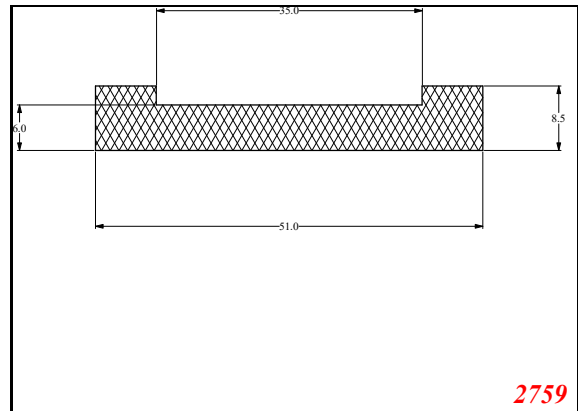
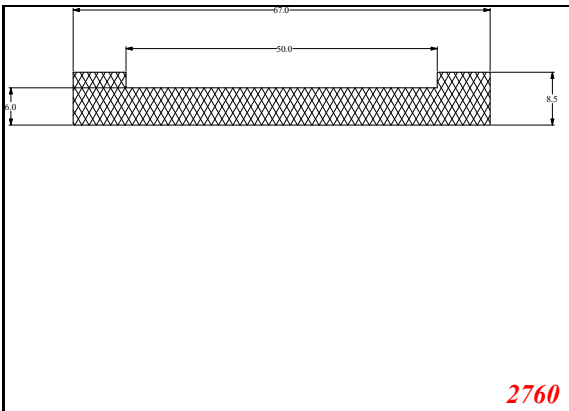
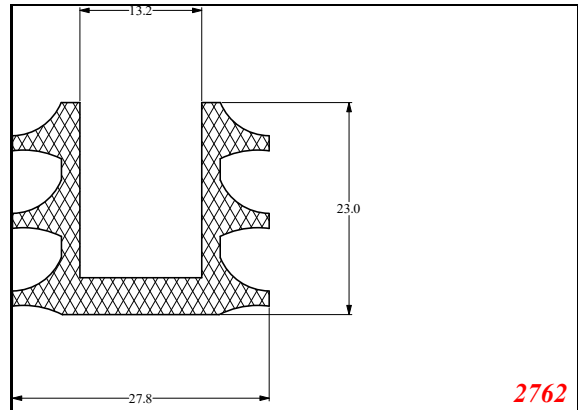
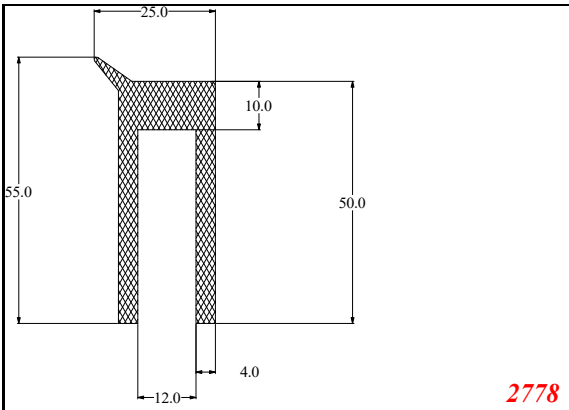
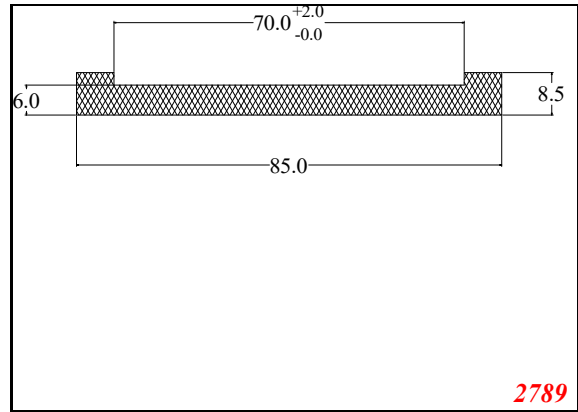
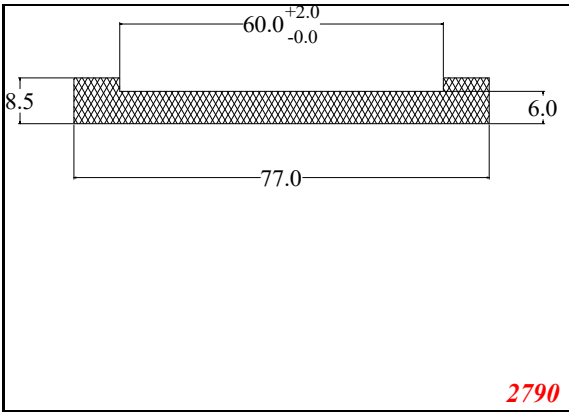
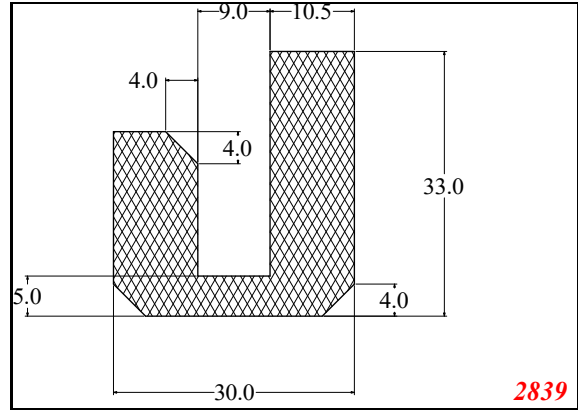
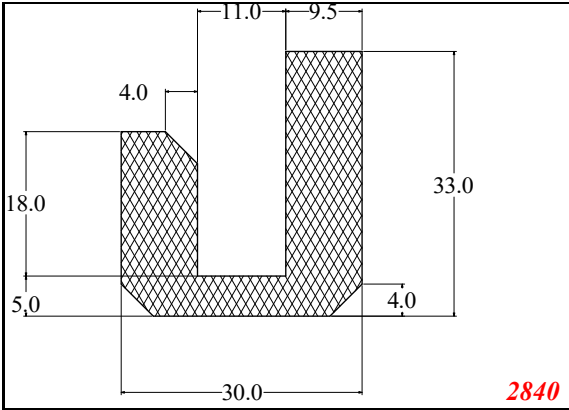


2708

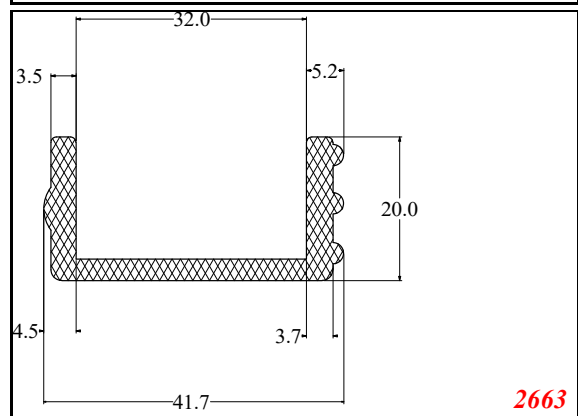
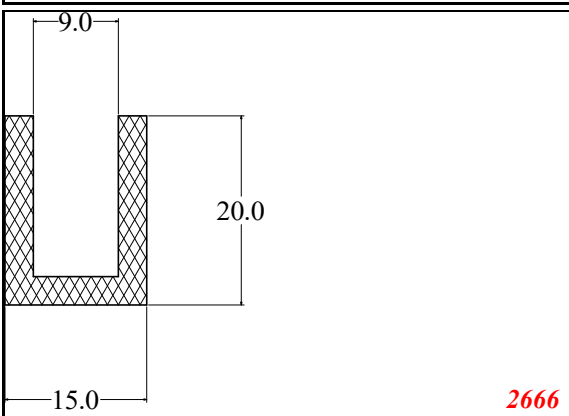
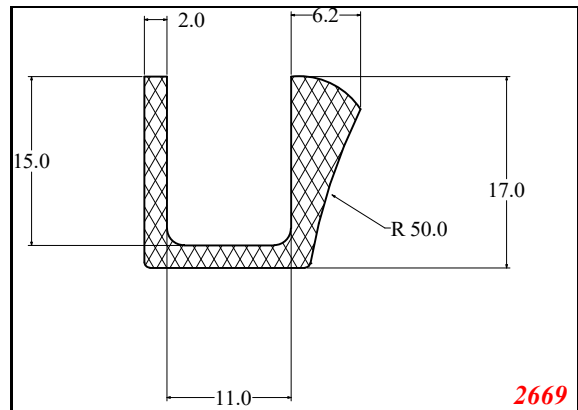
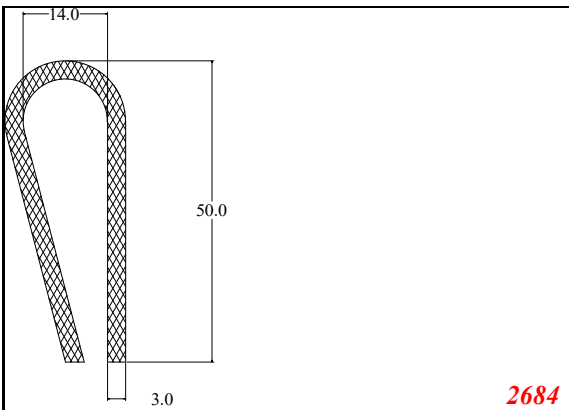
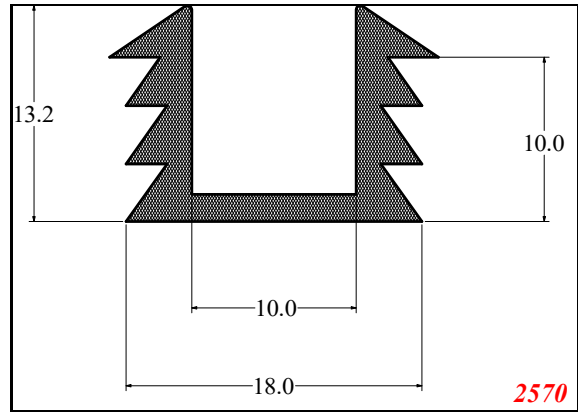
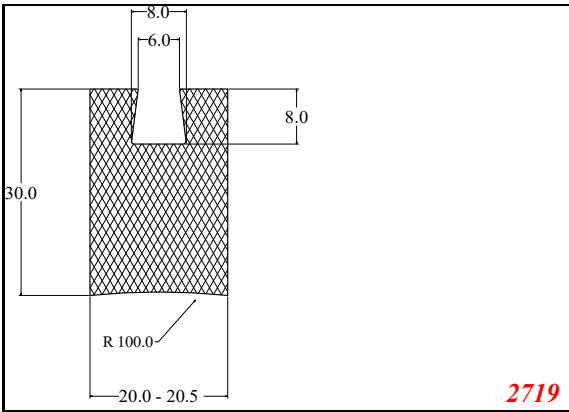
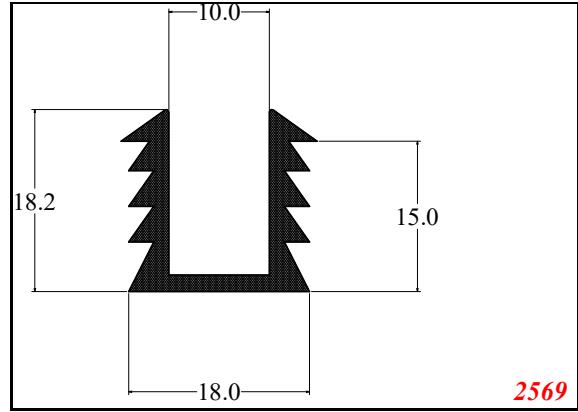
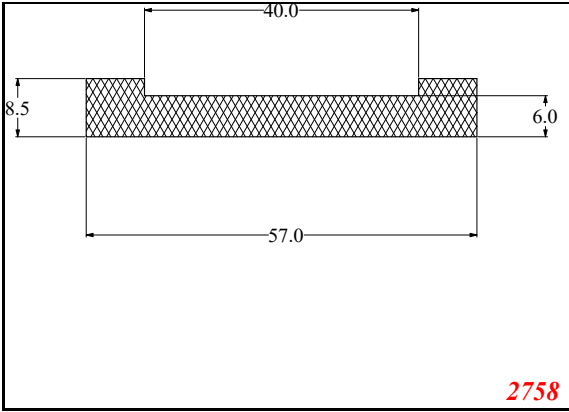


2841

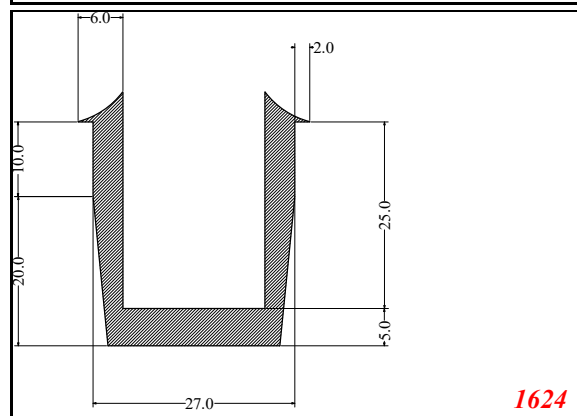
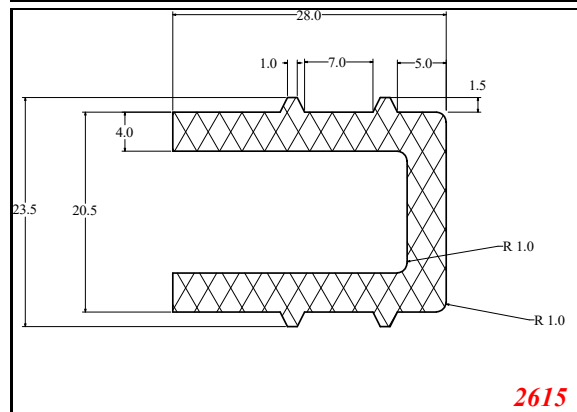
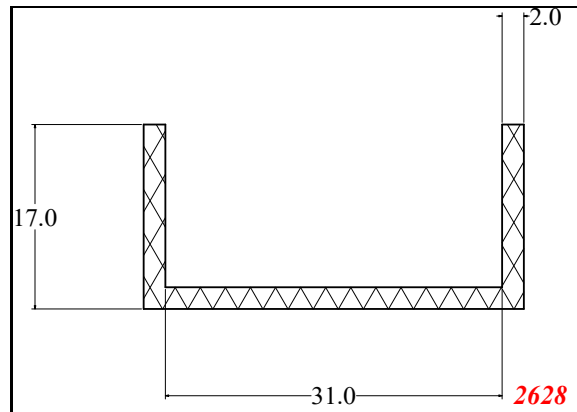
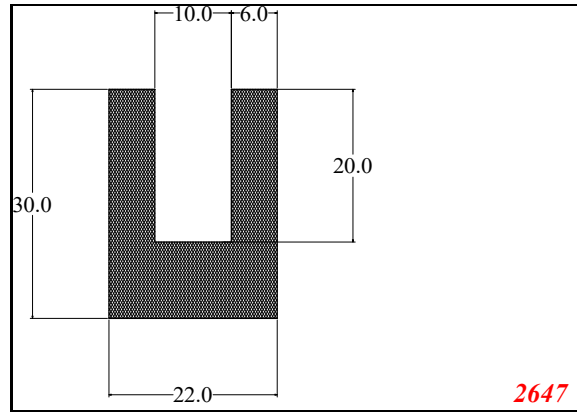
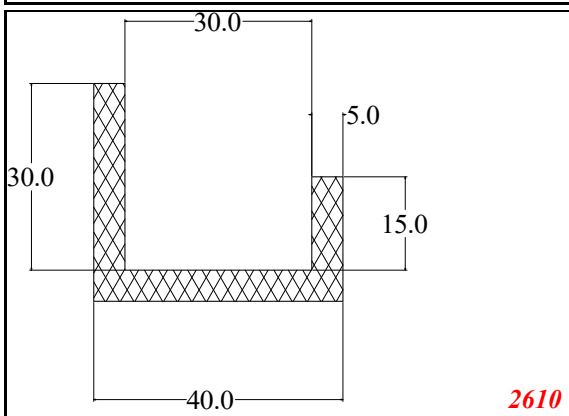
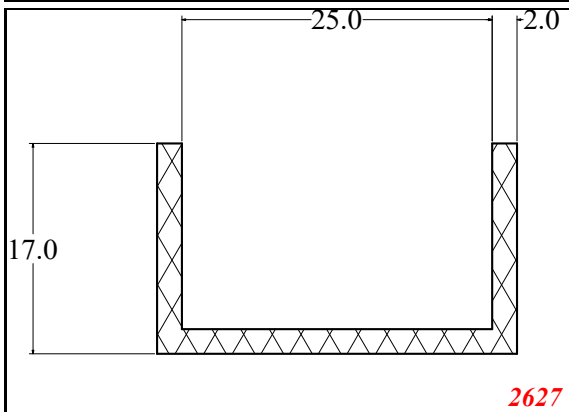
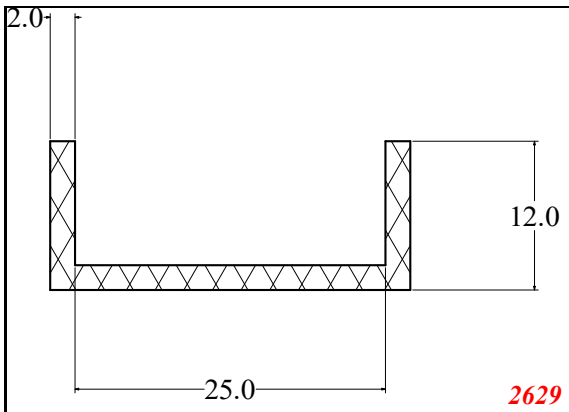
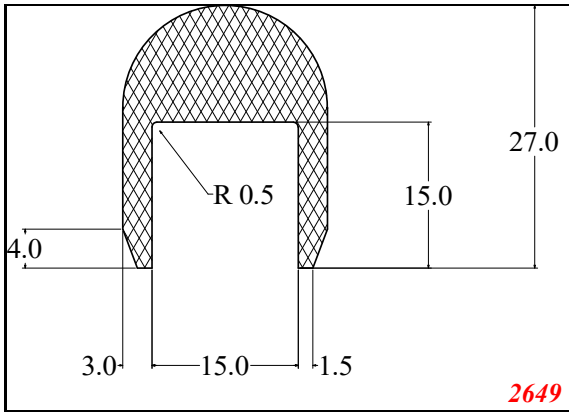
U-Large



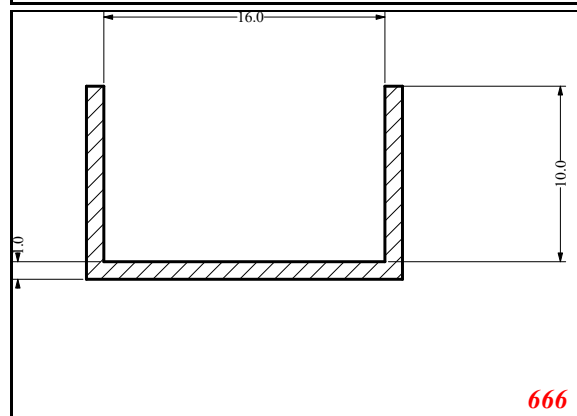
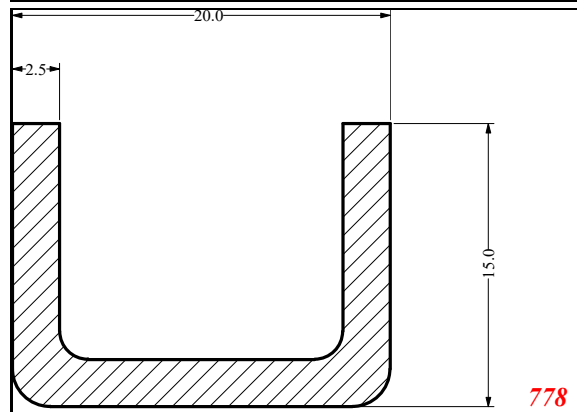
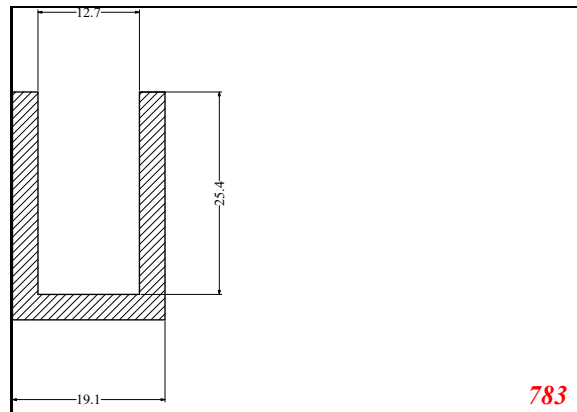
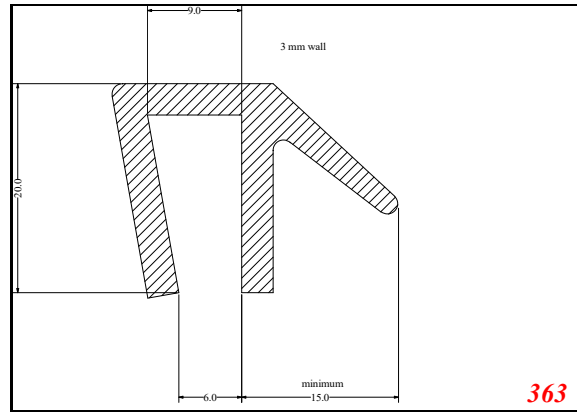
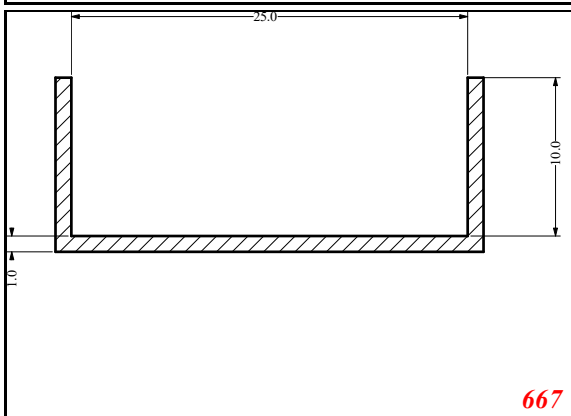
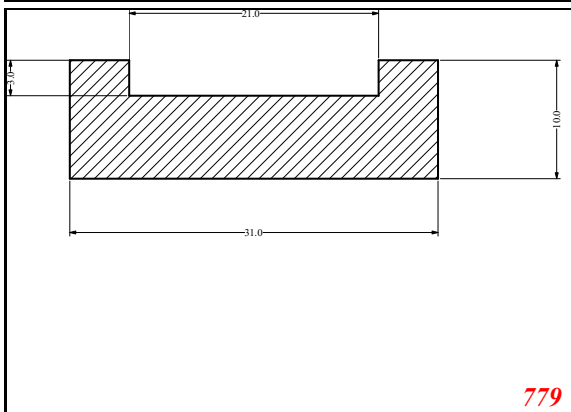
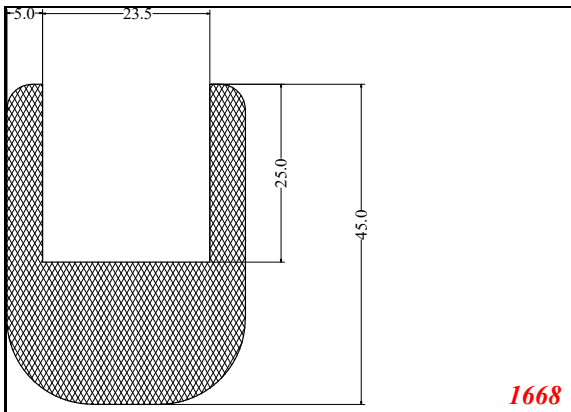
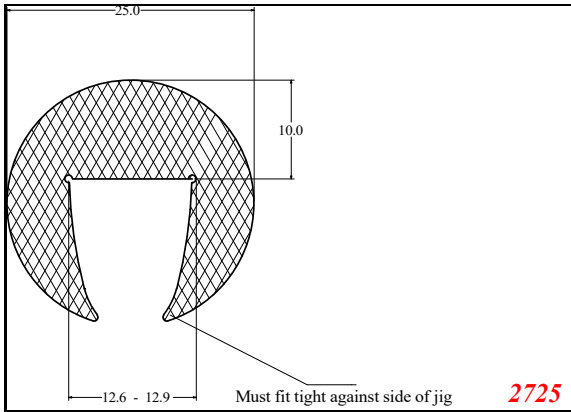
U-Large



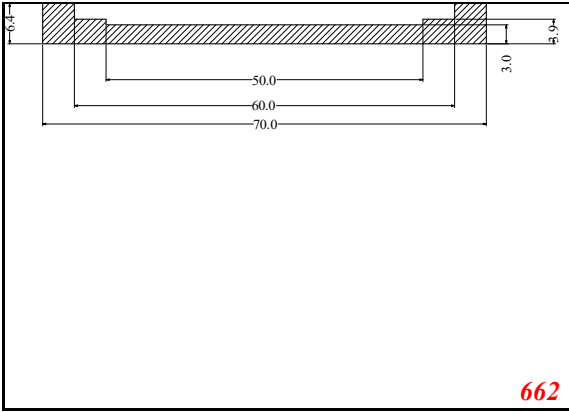
U-Large



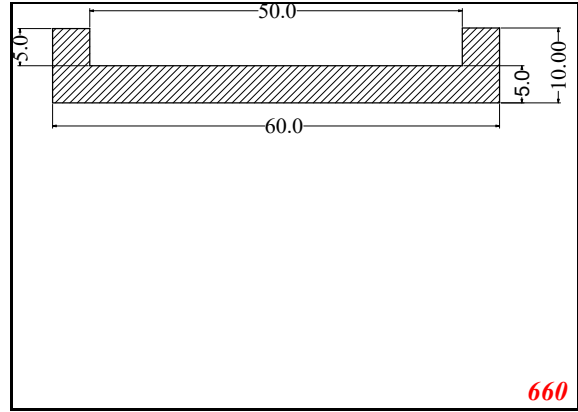
U-Large



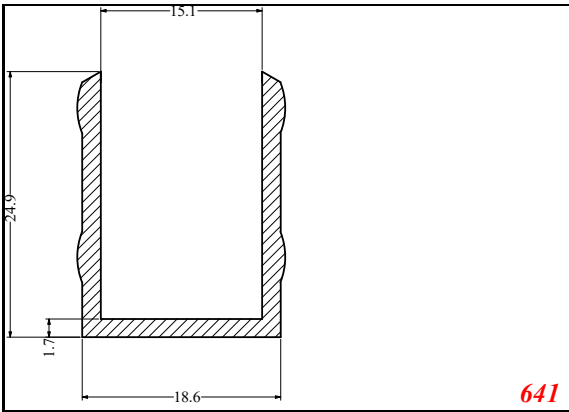
U-Large



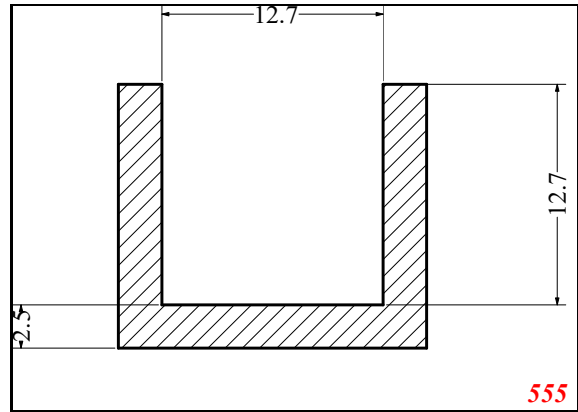
662



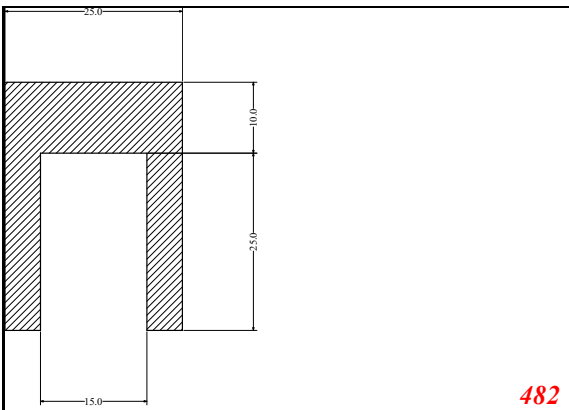
660



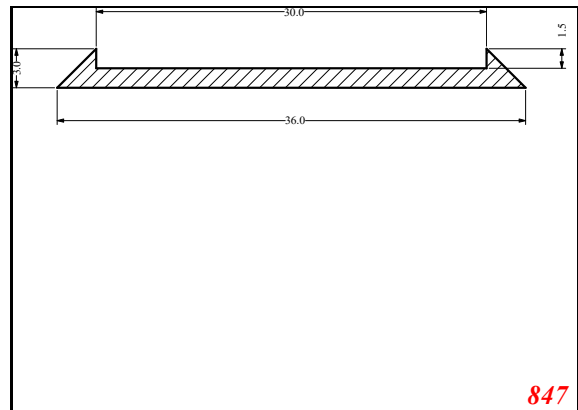
641



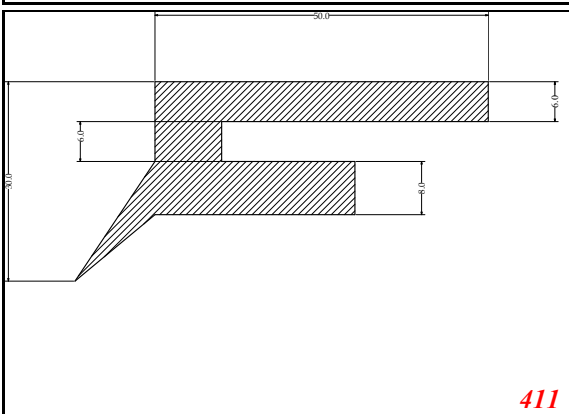
555



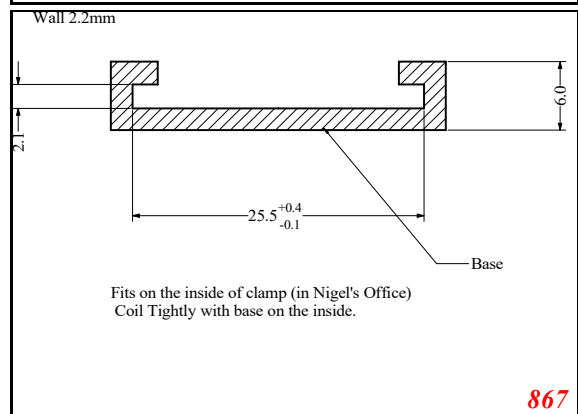
482



847

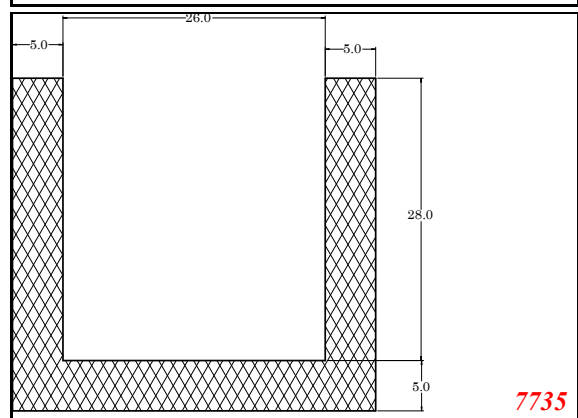
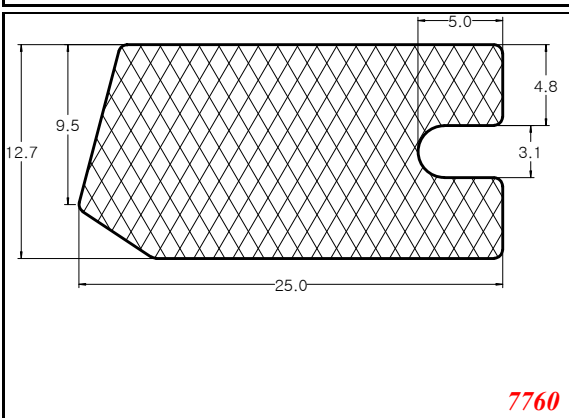
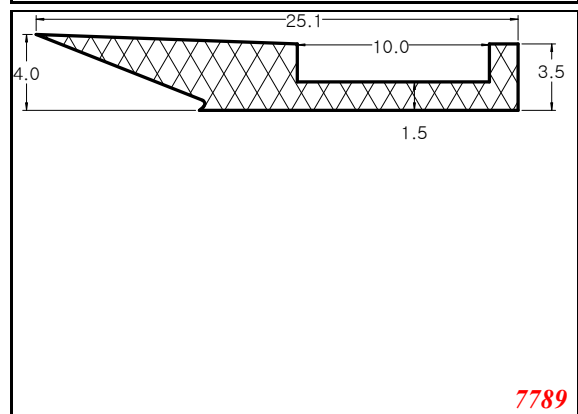
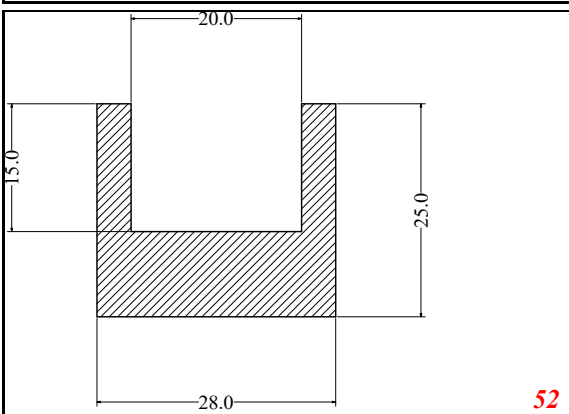
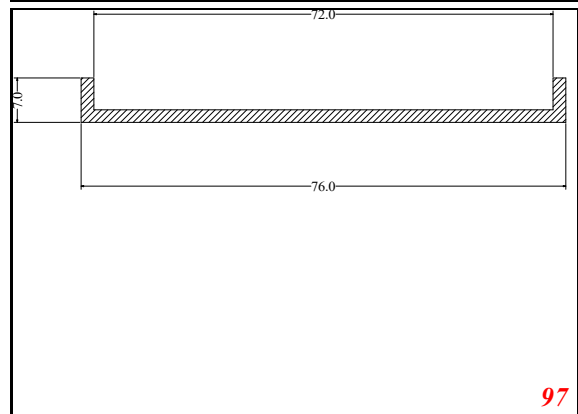
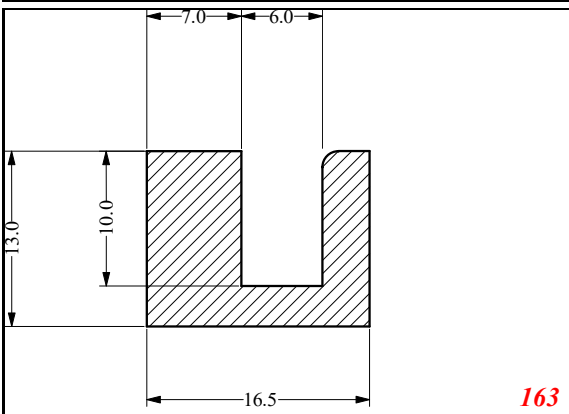
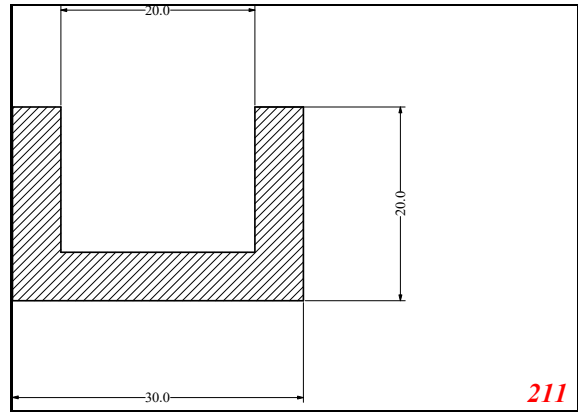
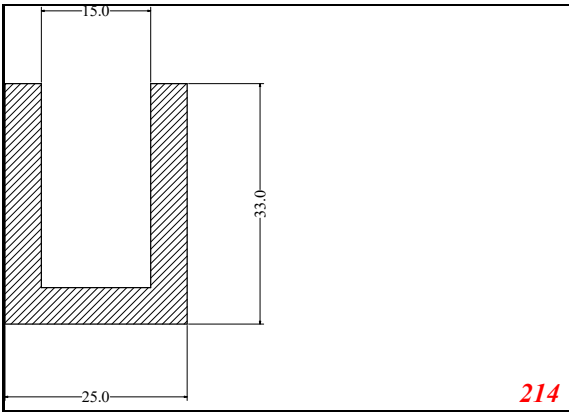


411

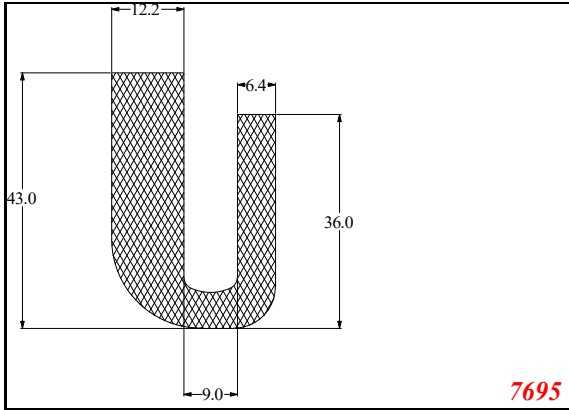


867

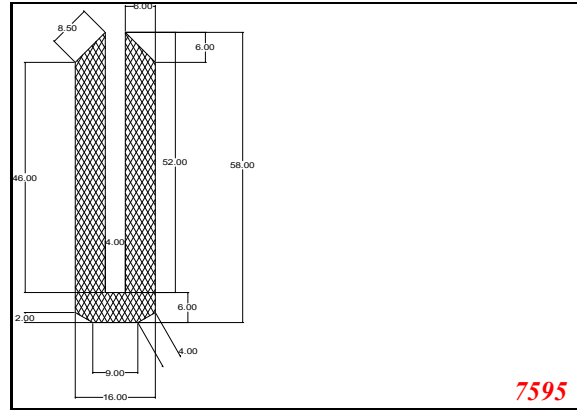
U-Large



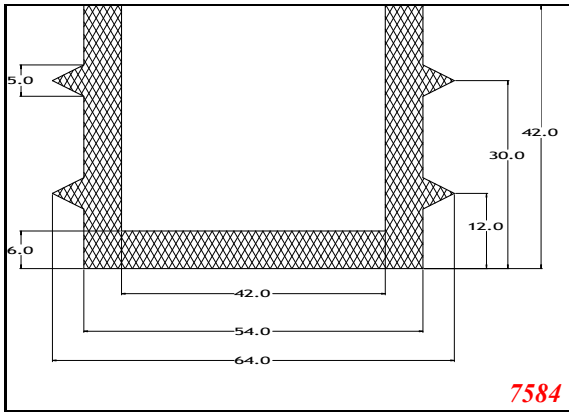
U-Large



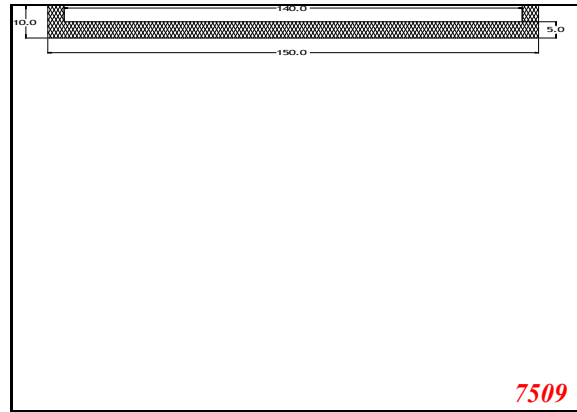
7695



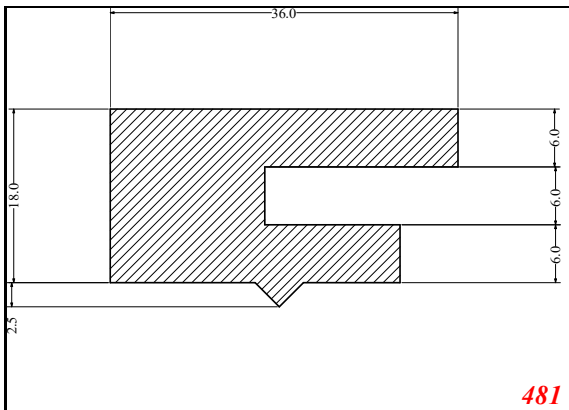
7595



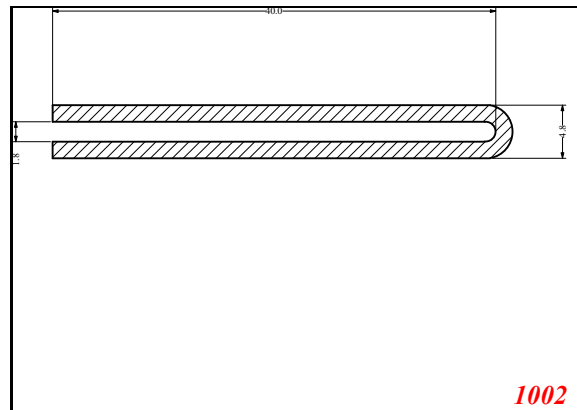
7584



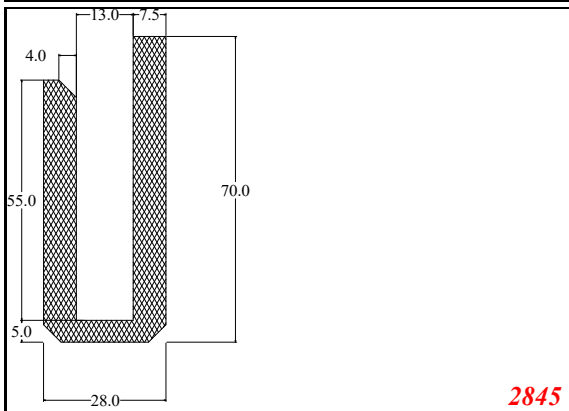
7509



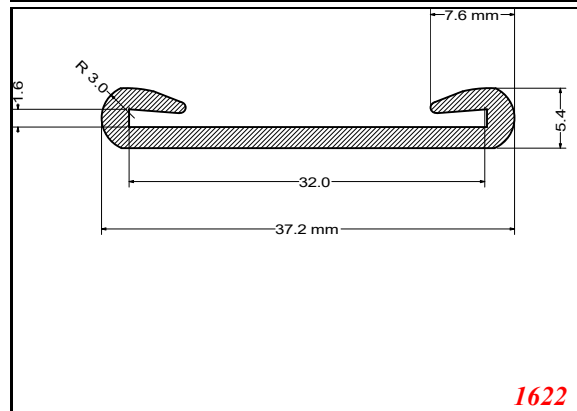
481



1002

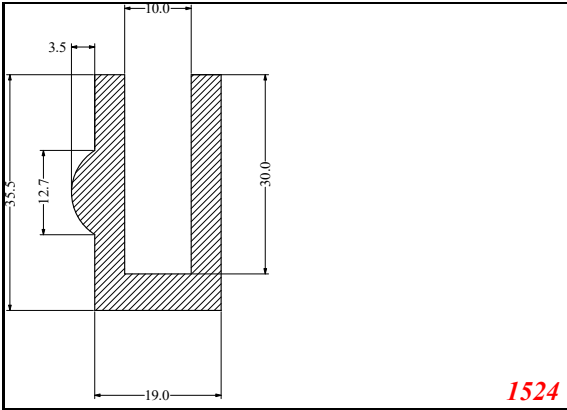


2845

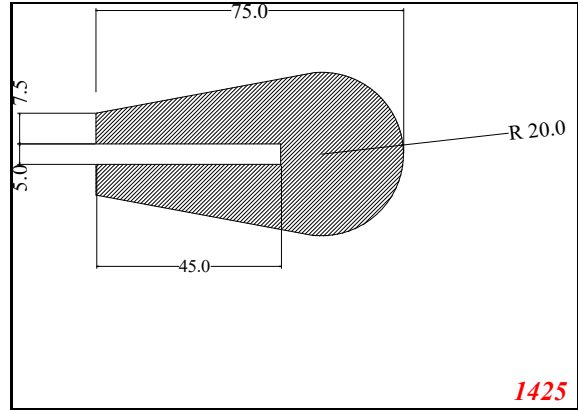


1622

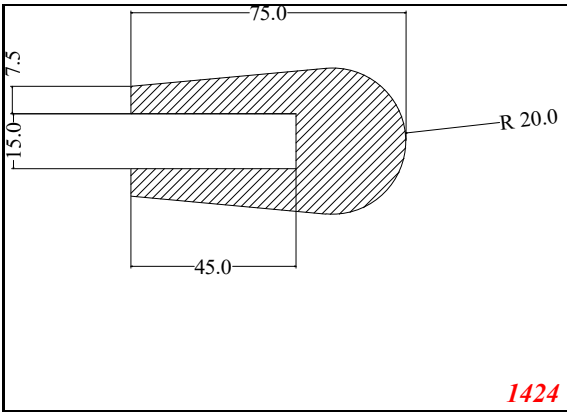
U-Large



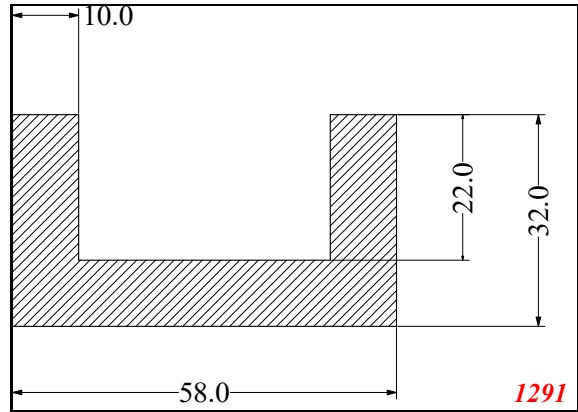
1524



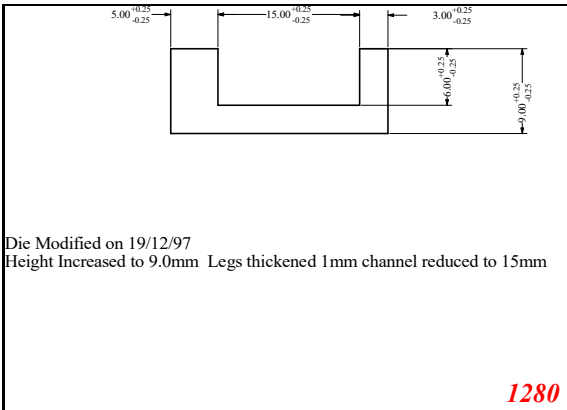
1425



1424

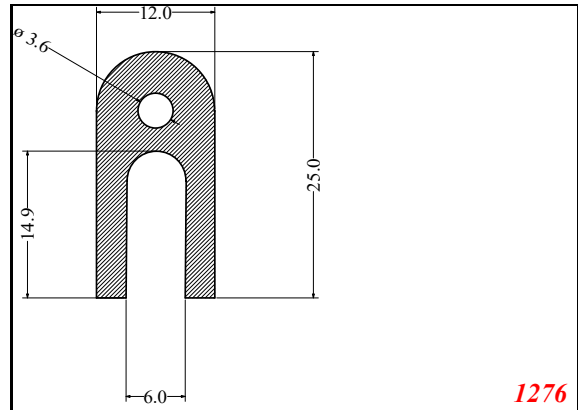


1291

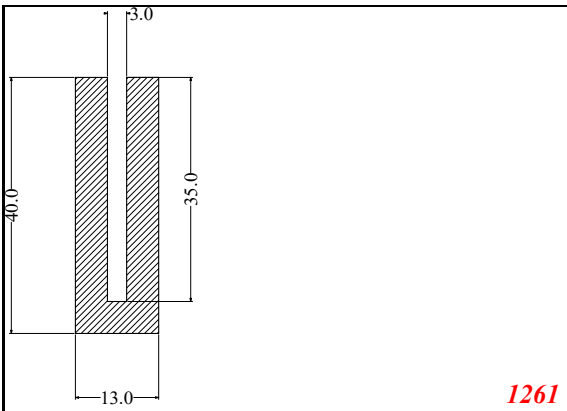


Die Modified on 19/12/97
Height Increased to 9.0mm Legs thickened 1mm channel reduced to 15mm

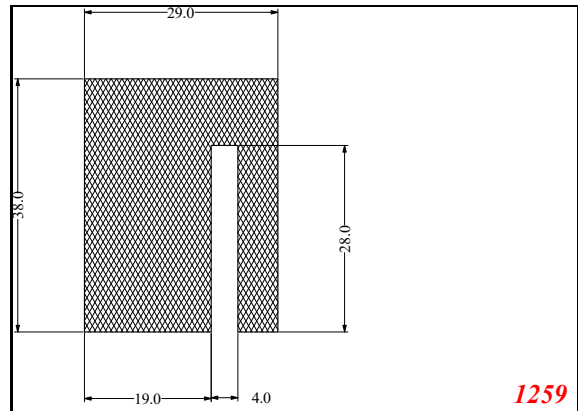
1280



1276

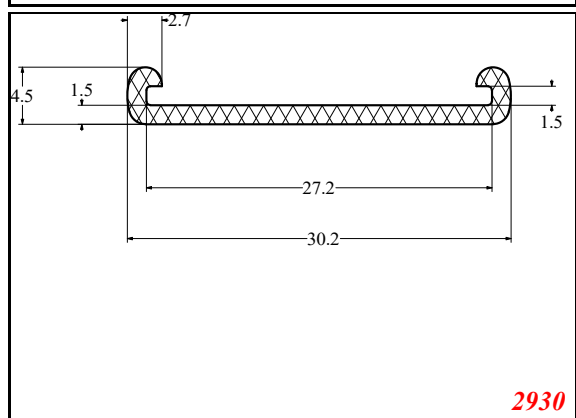
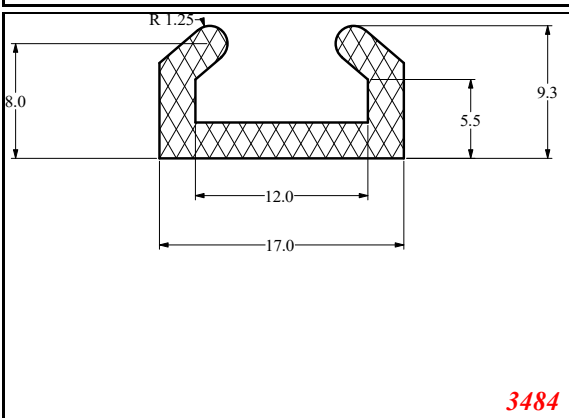
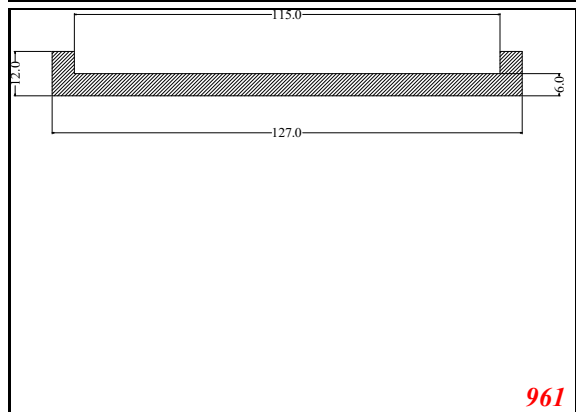
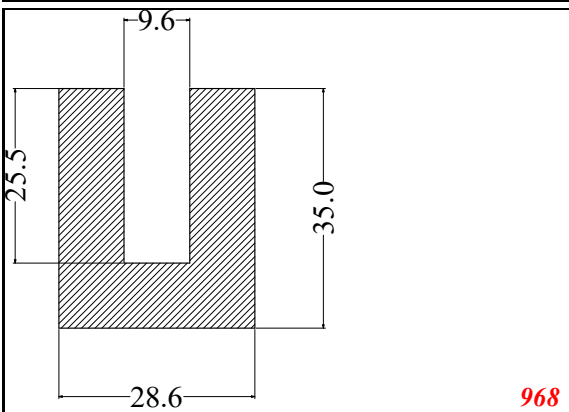
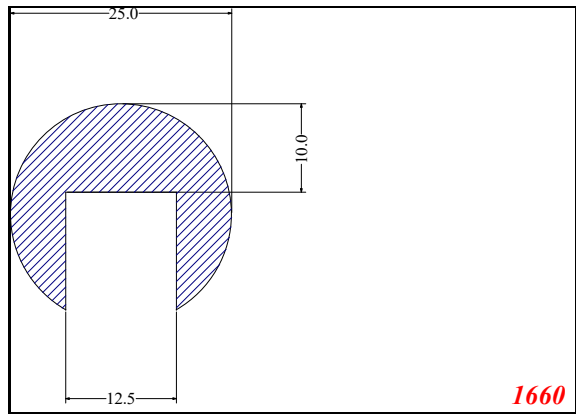
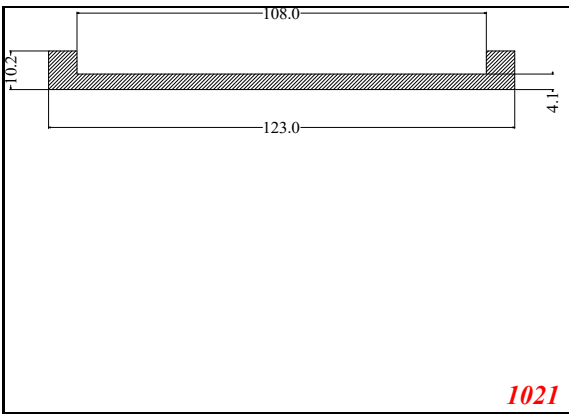
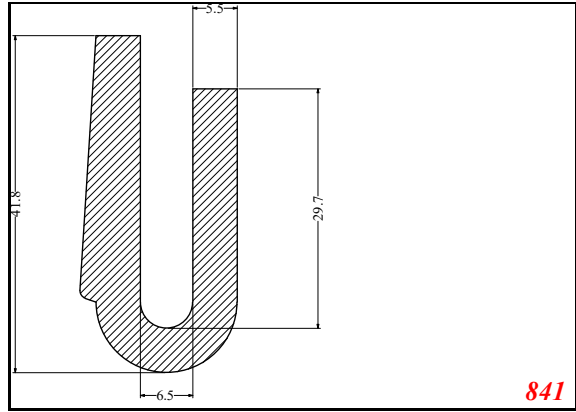
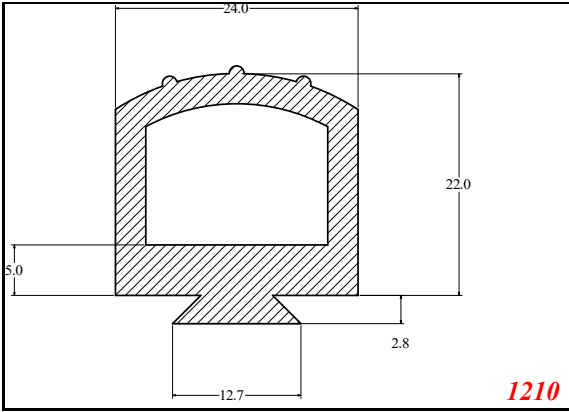


1261

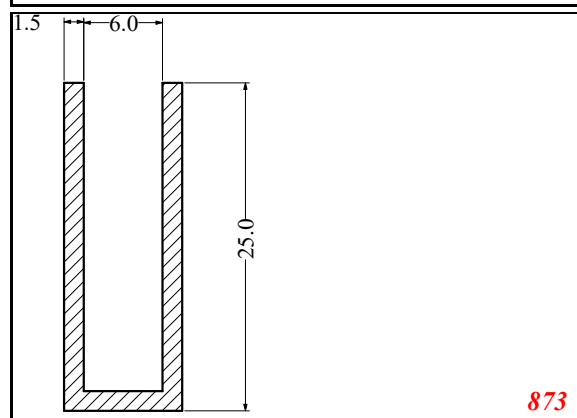
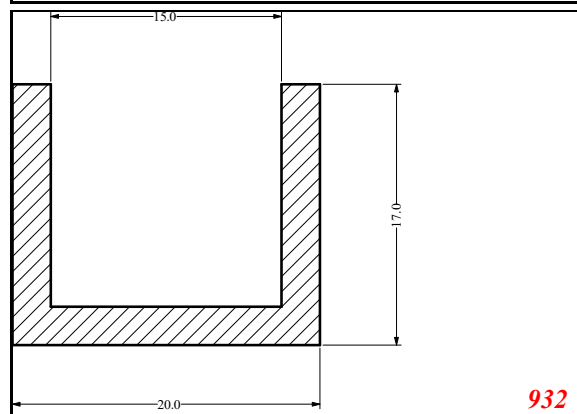
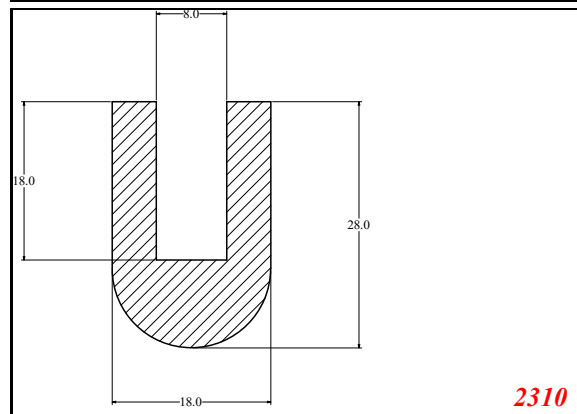
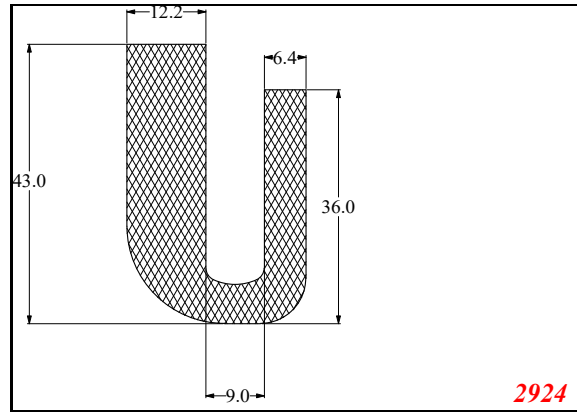
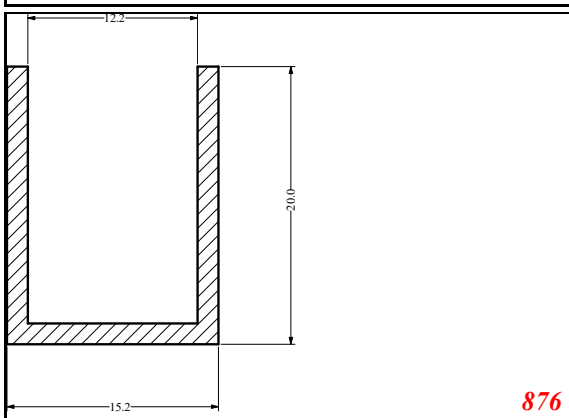
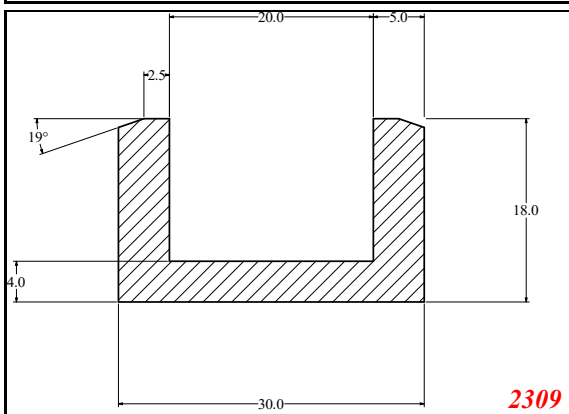
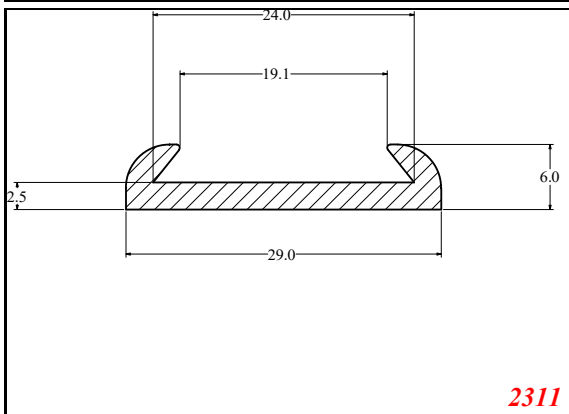
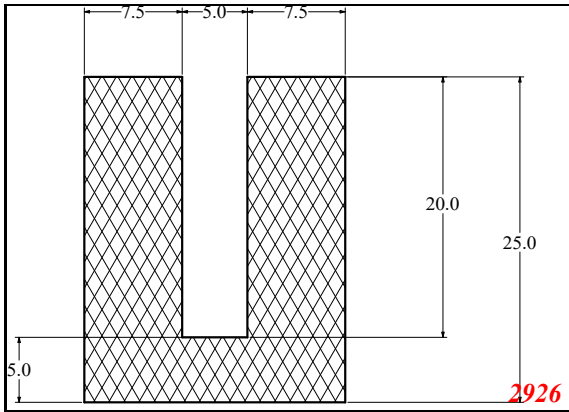


1259

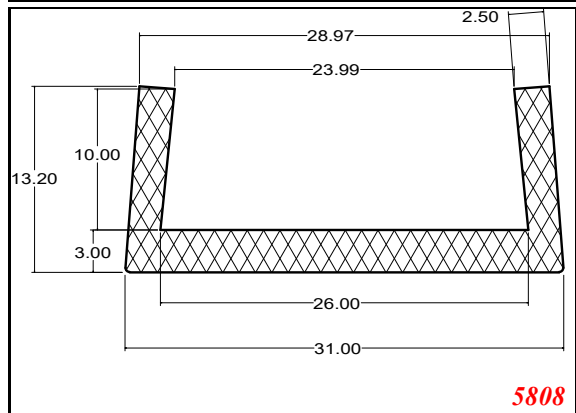
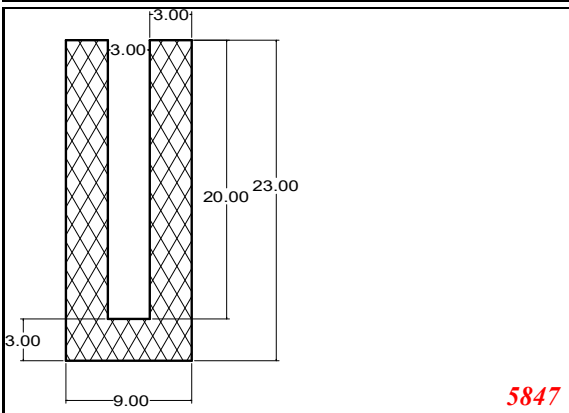
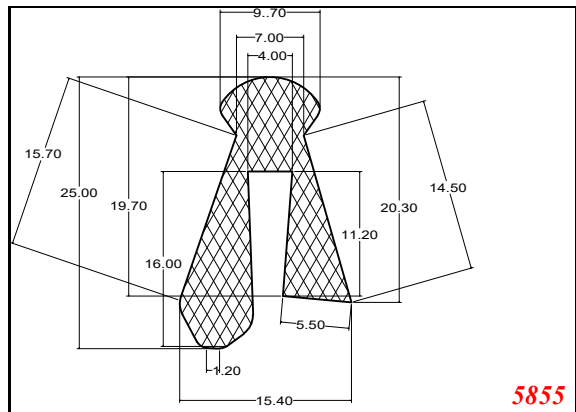
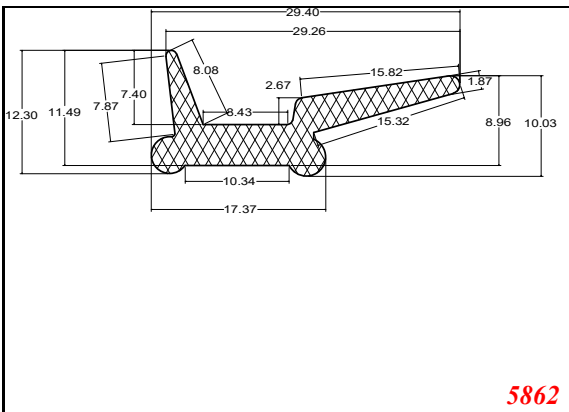
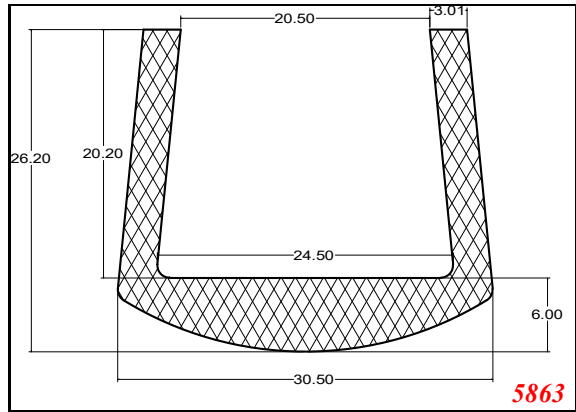
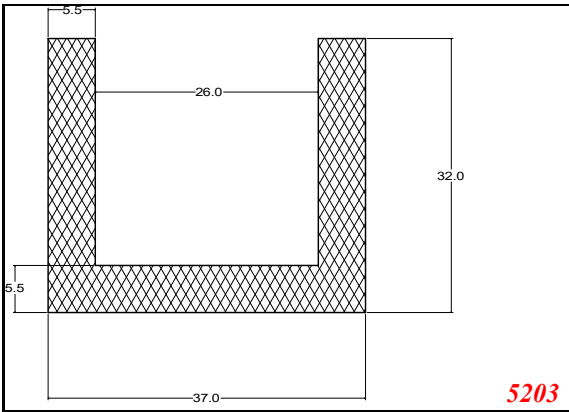
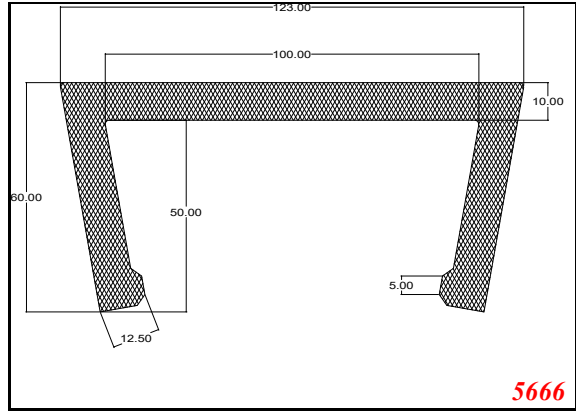
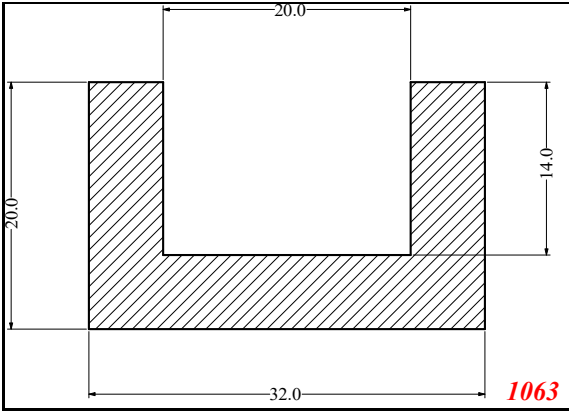
U-Large



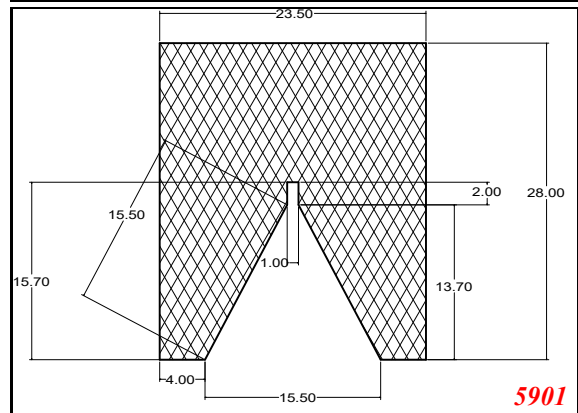
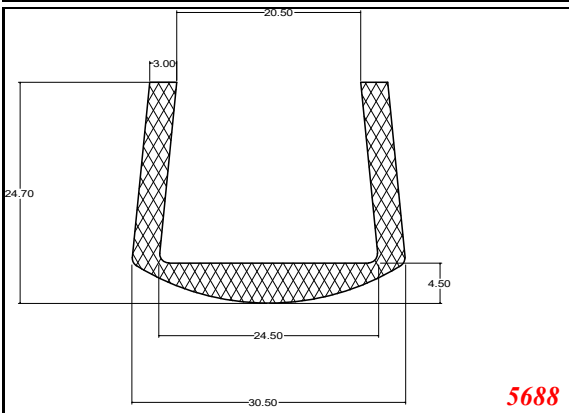
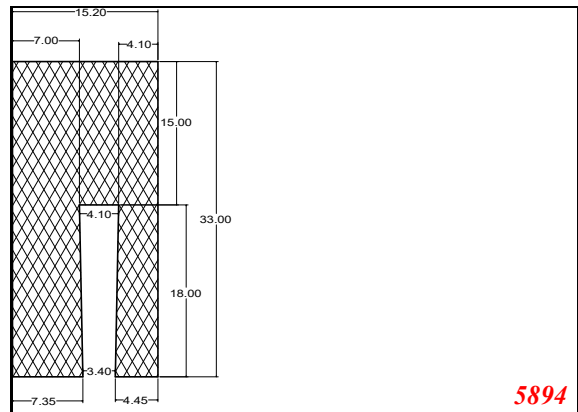
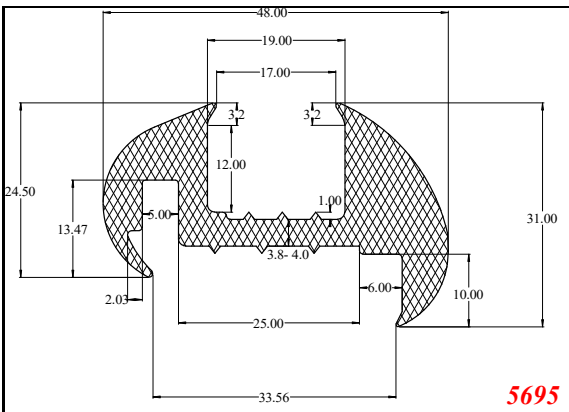
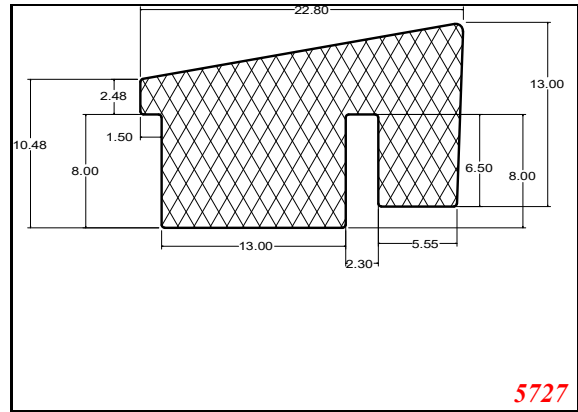
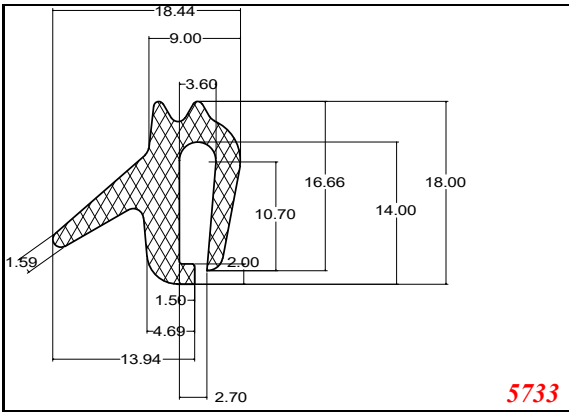
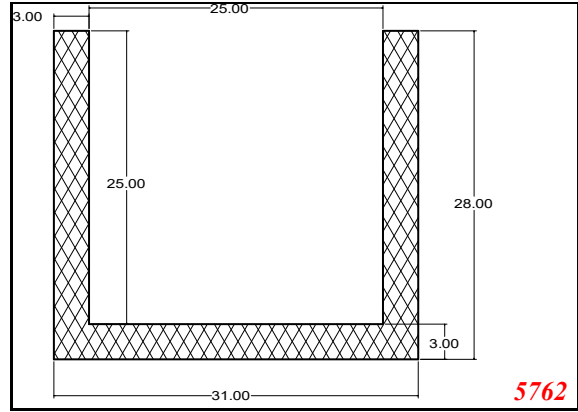
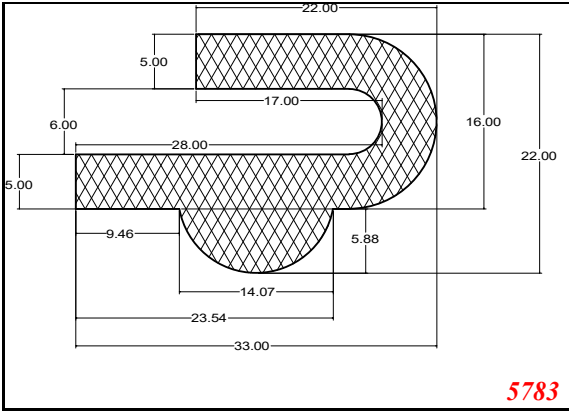
U-Large



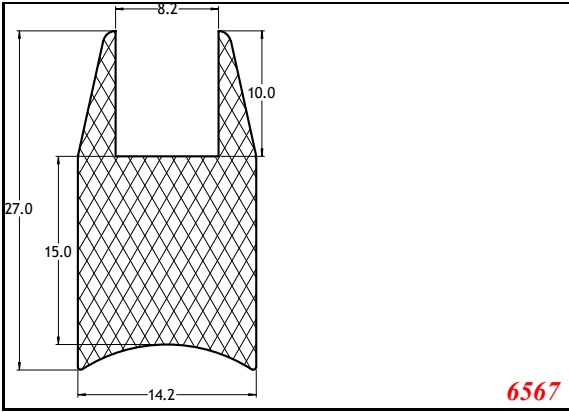
U-Large



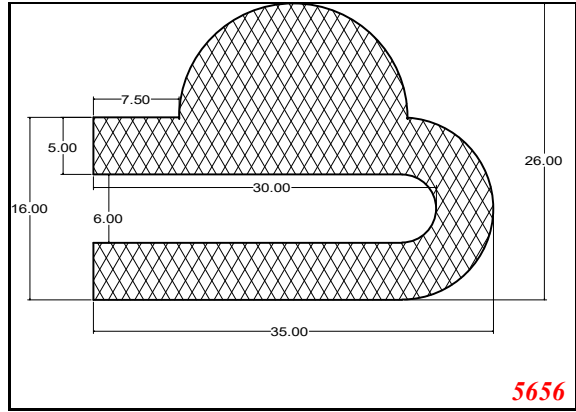
U-Large



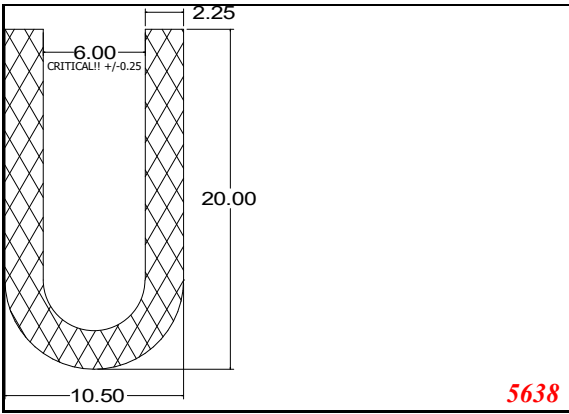
U-Large



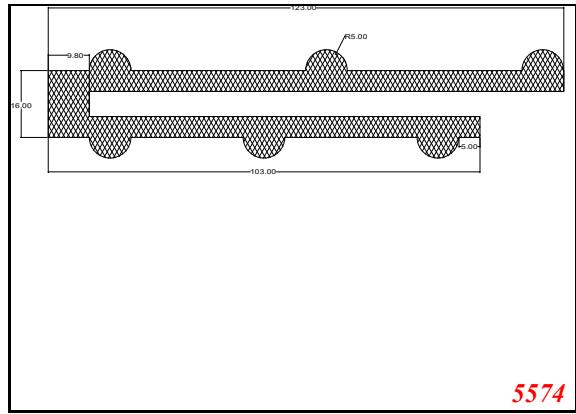
6567



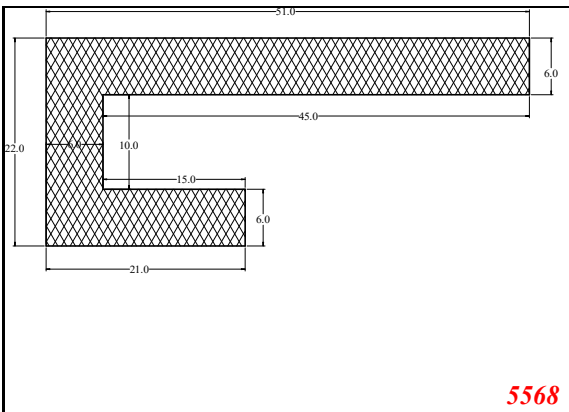
5656



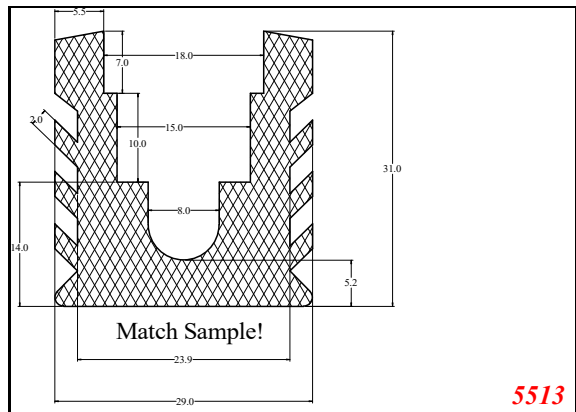
5638



5574

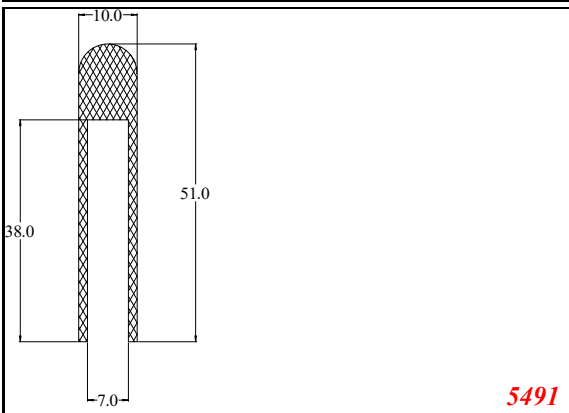


5568

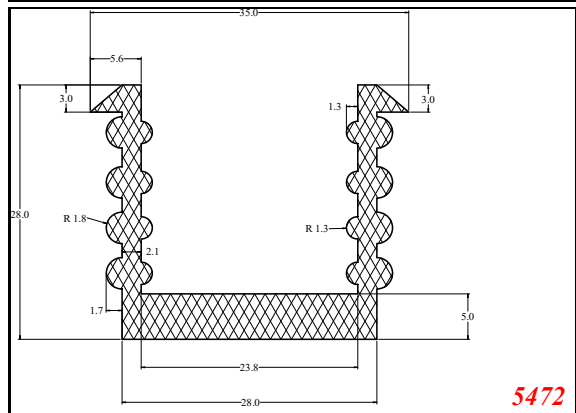


Match Sample!

5513

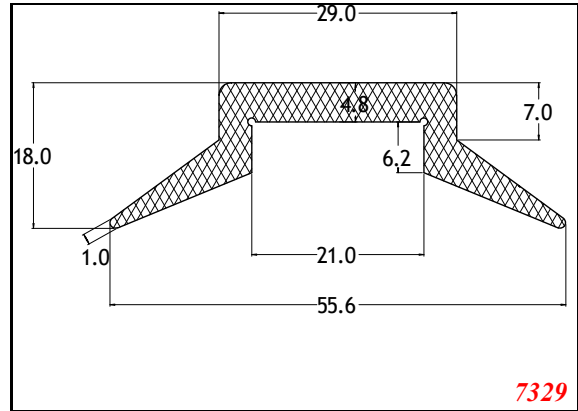
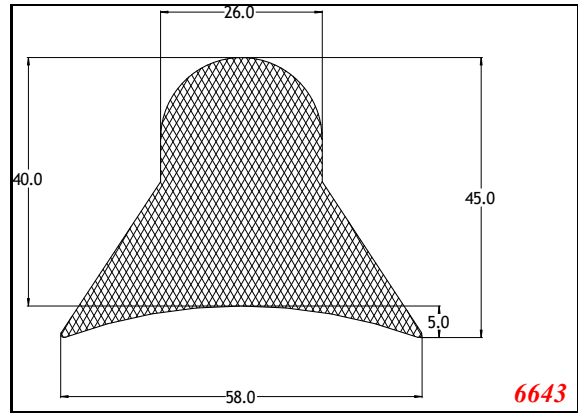
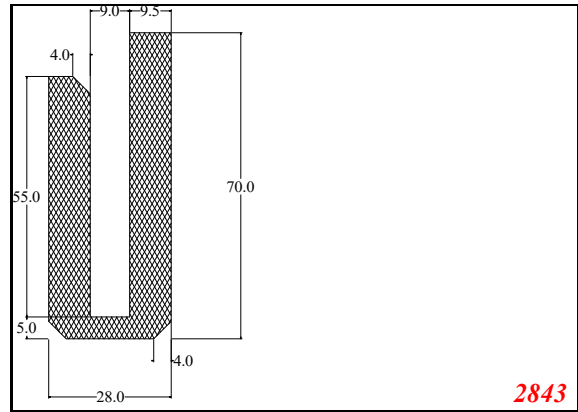
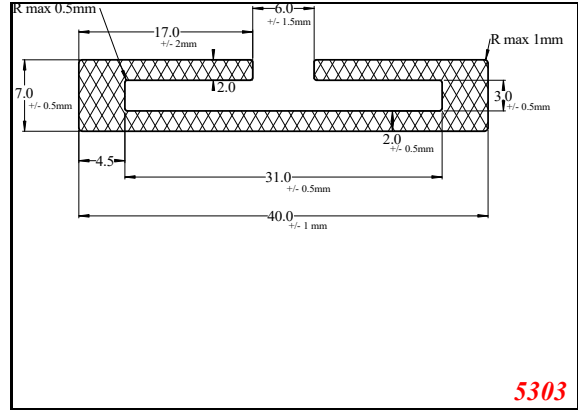
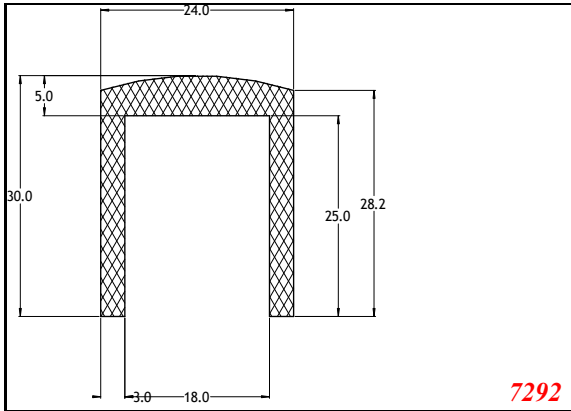
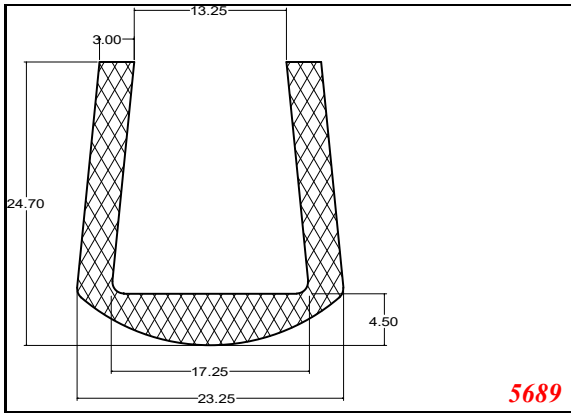
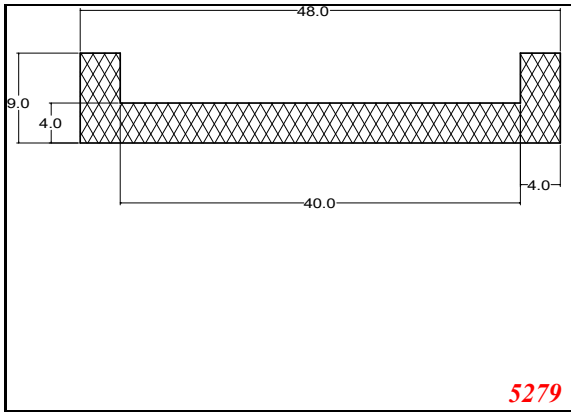
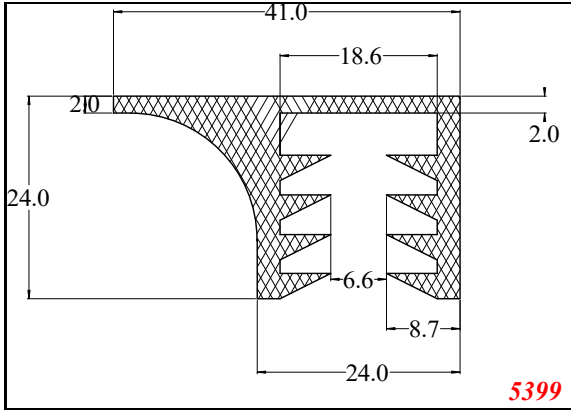


5491

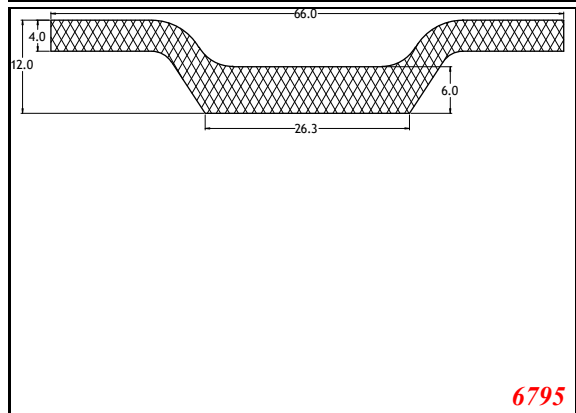
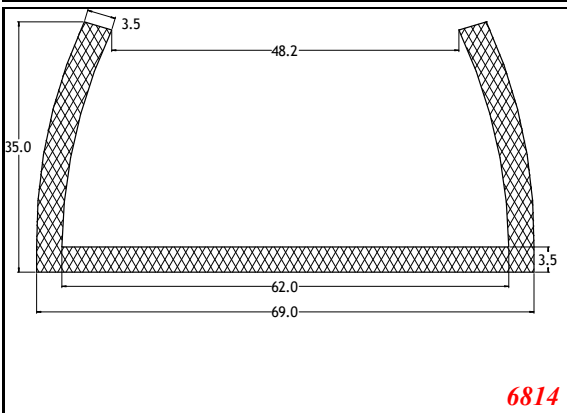
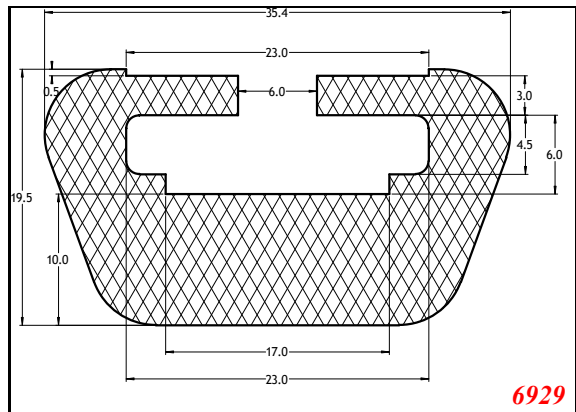
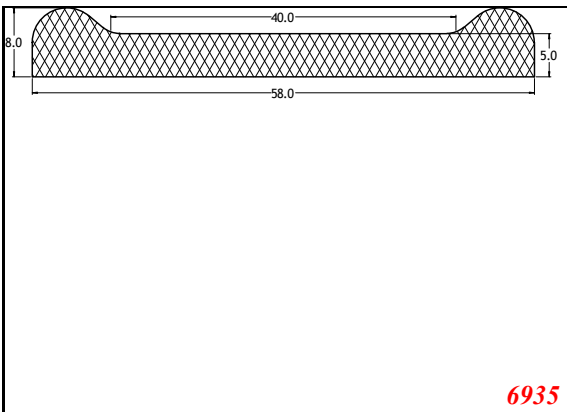
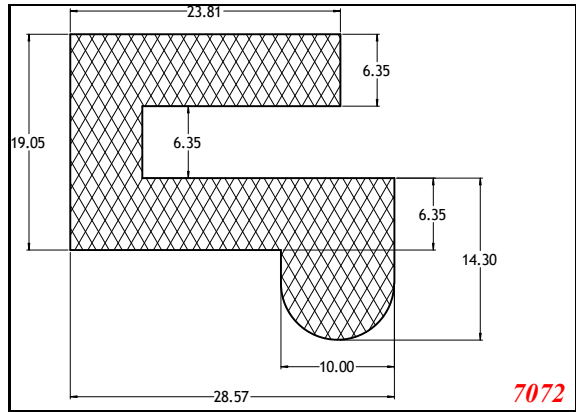
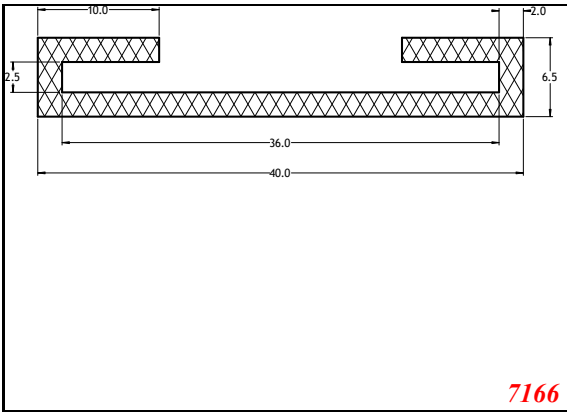
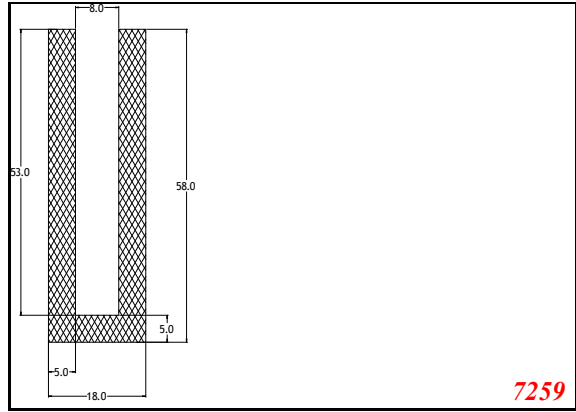
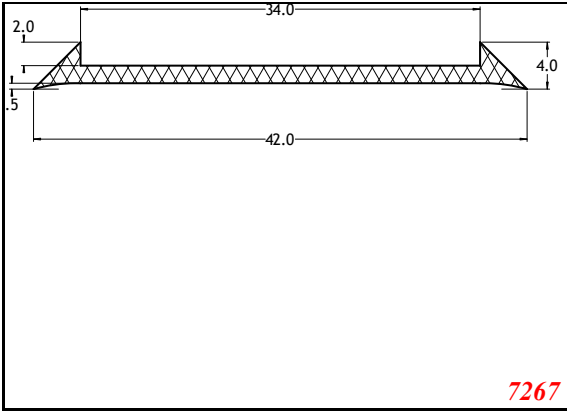


5472

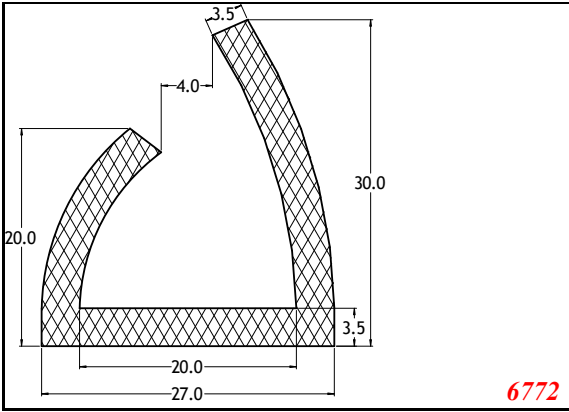
U-Large



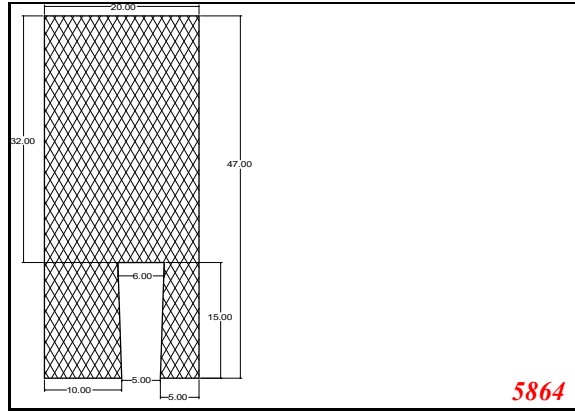
U-Large



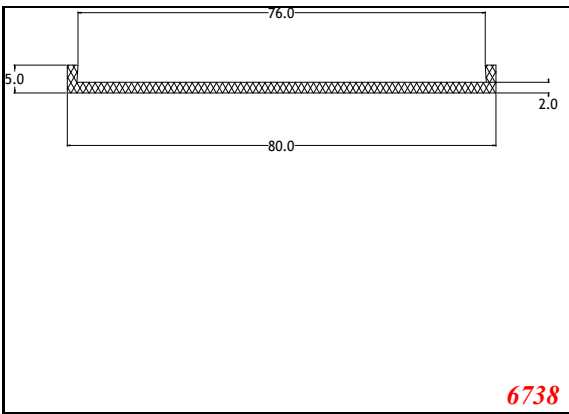
U-Large



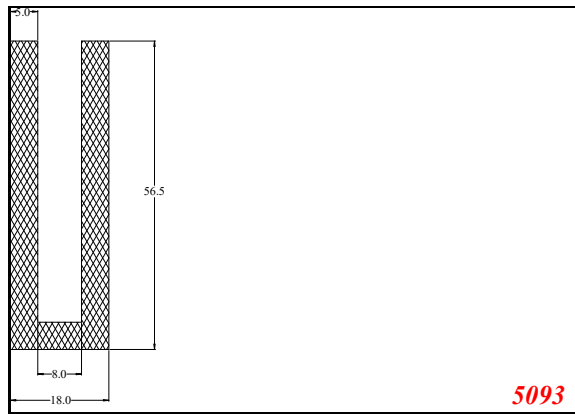
6772



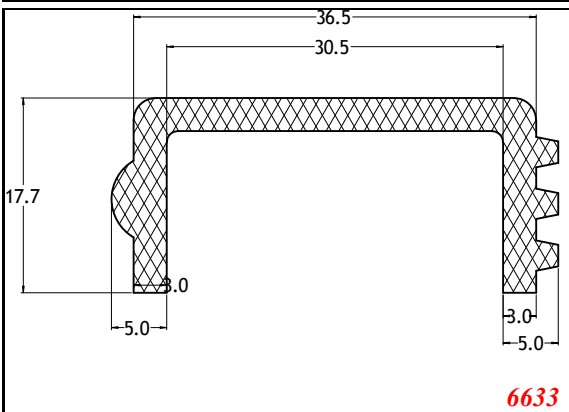
5864



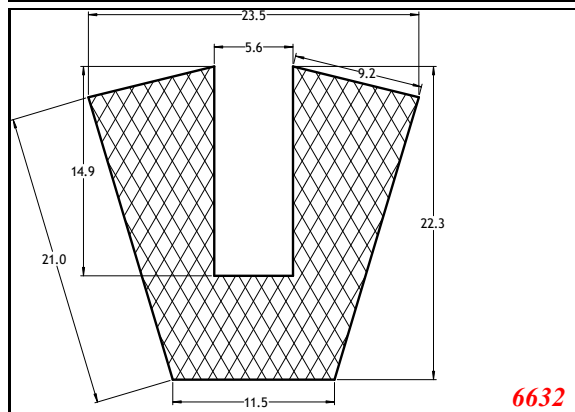
6738



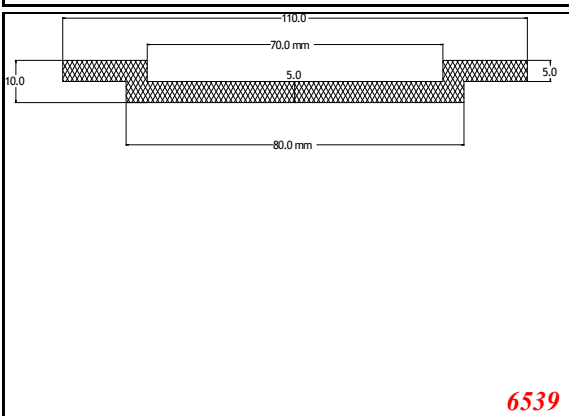
5093



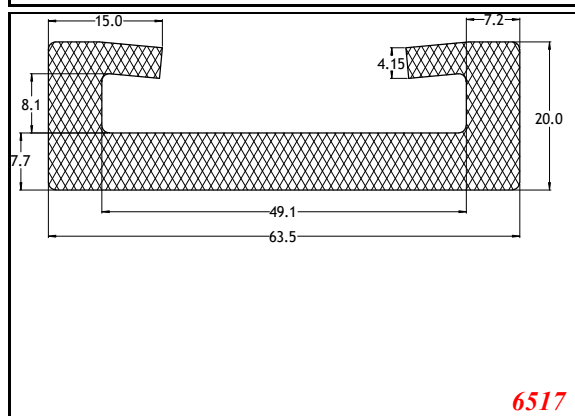
6633



6632

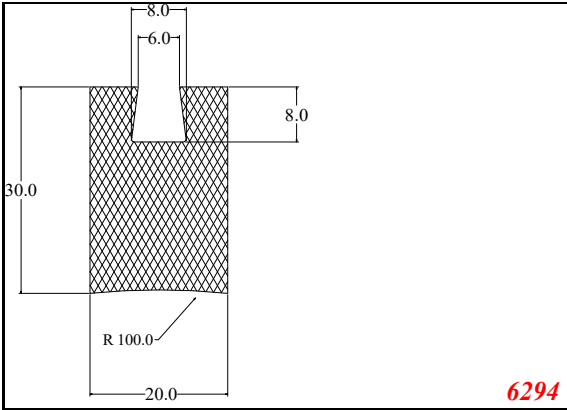


6539

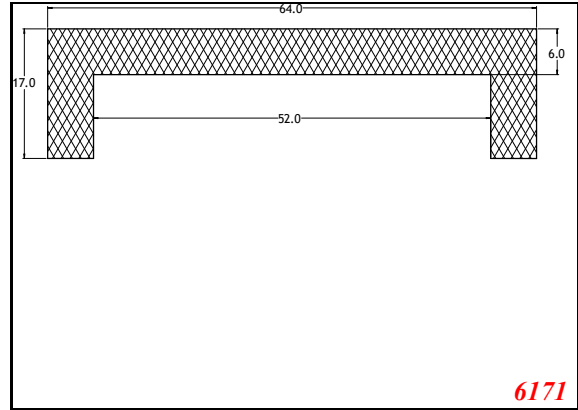


6517

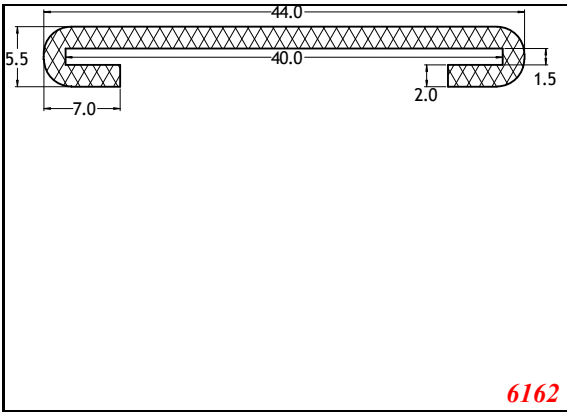
U-Large



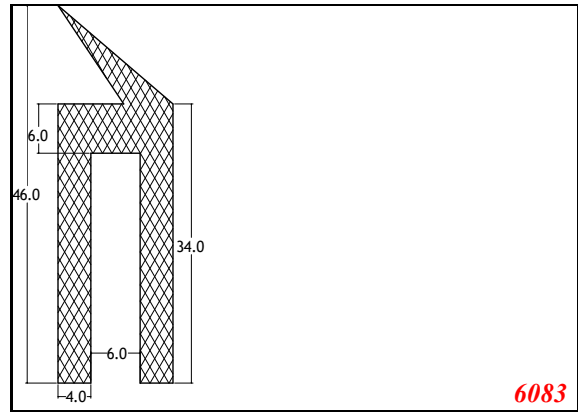
6294



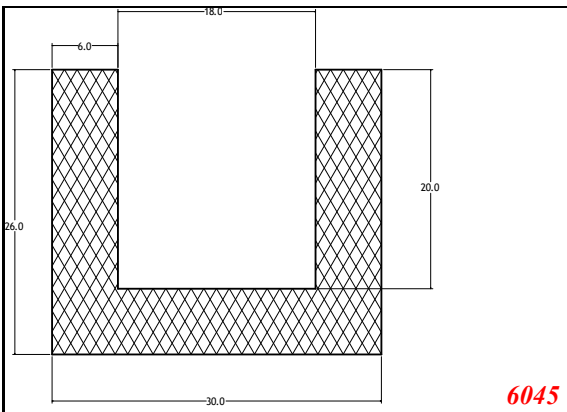
6171



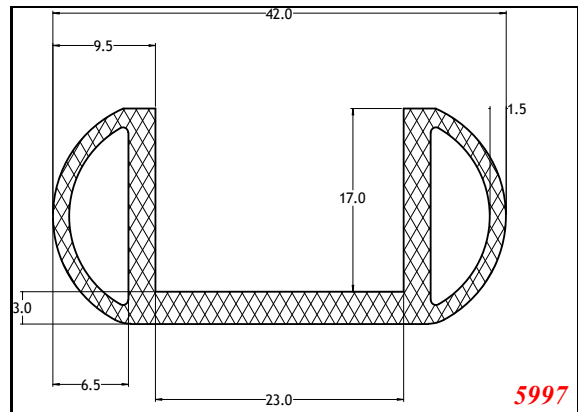
6162



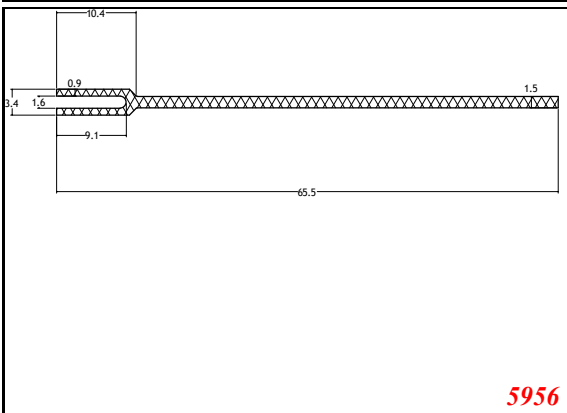
6083



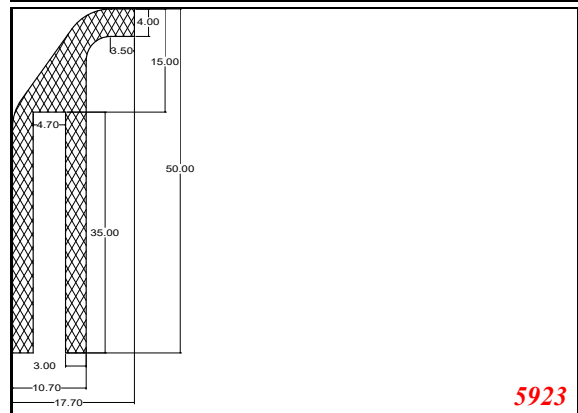
6045



5997

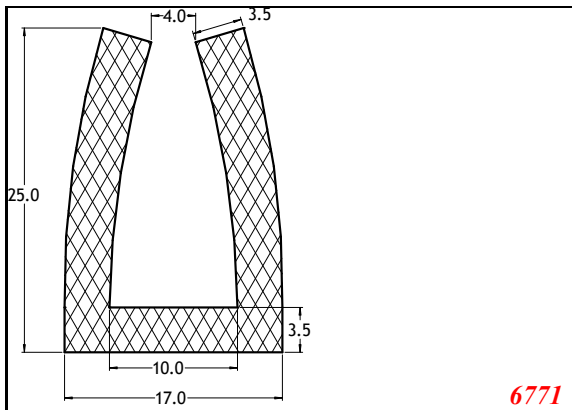


5956

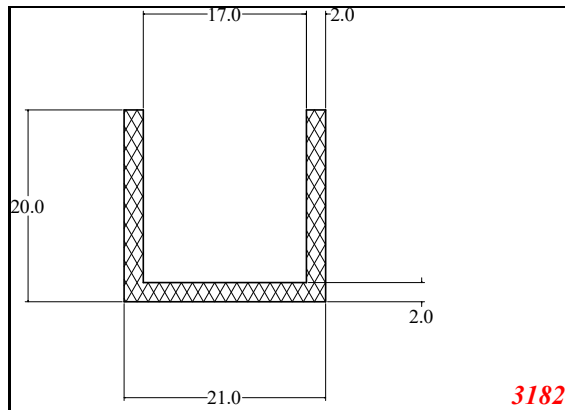


5923

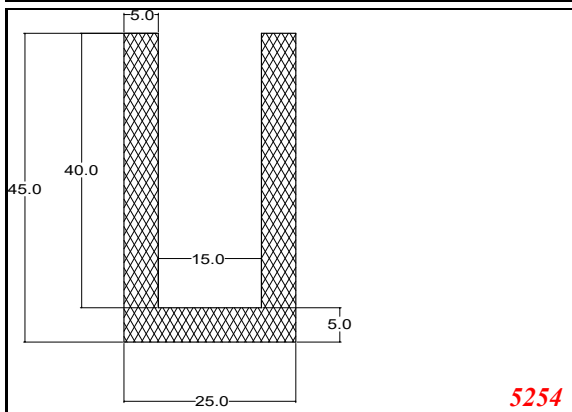
U-Large



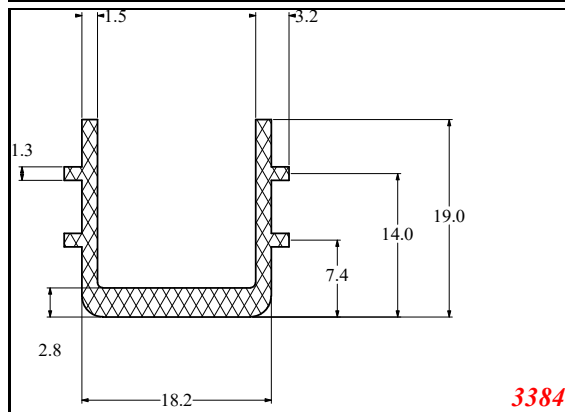
6771



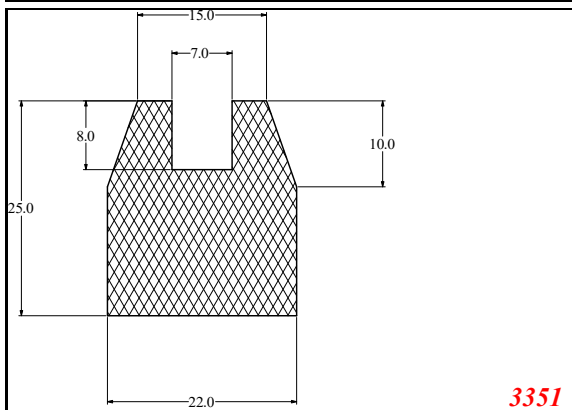
3182



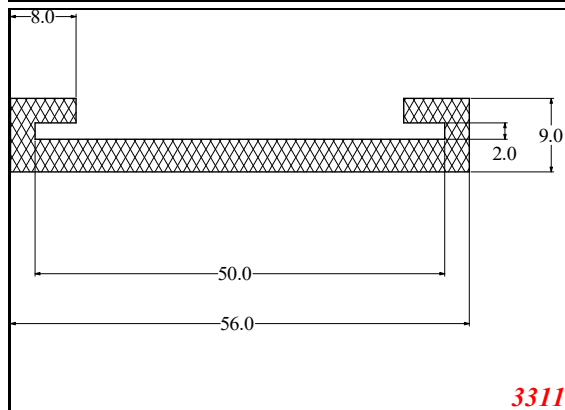
5254



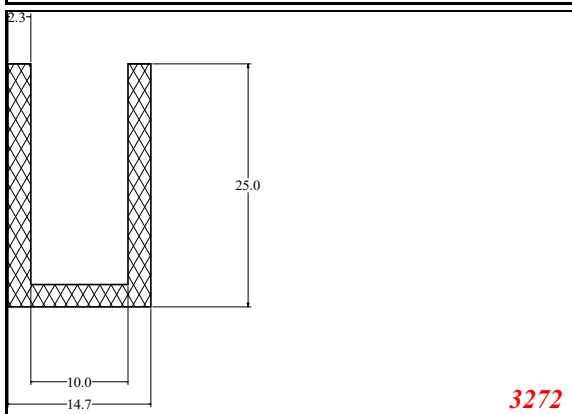
3384



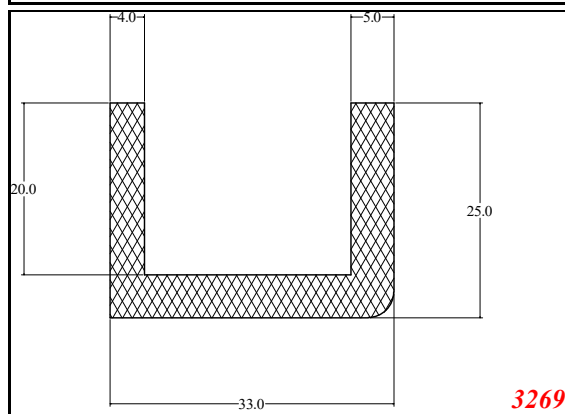
3351



3311

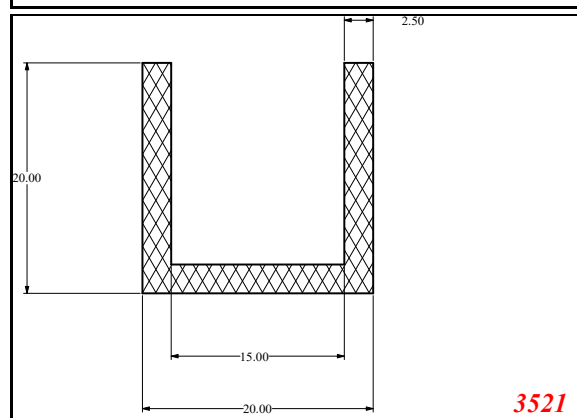
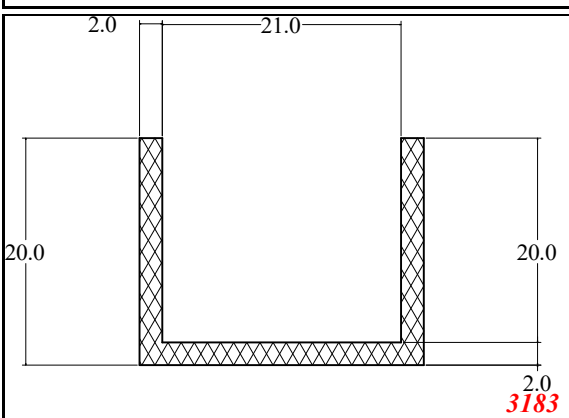
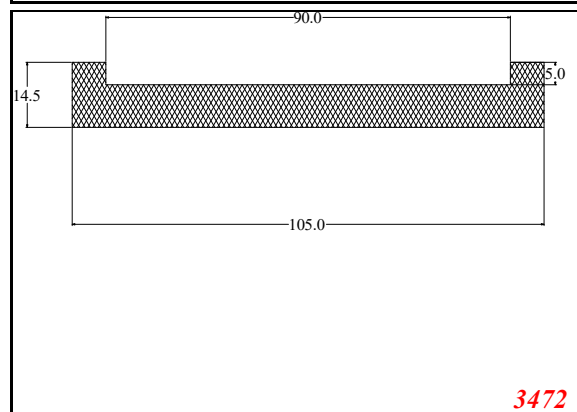
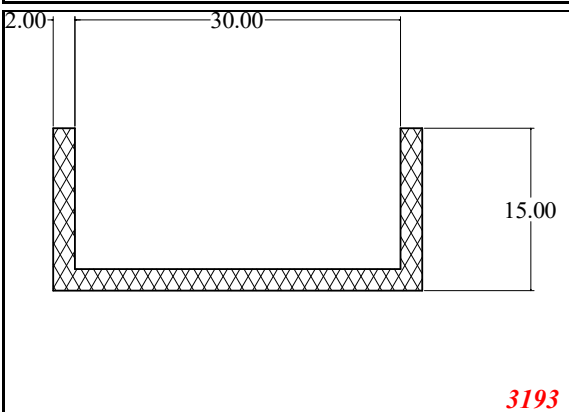
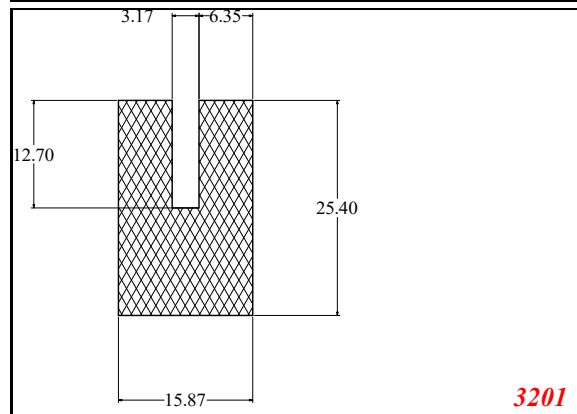
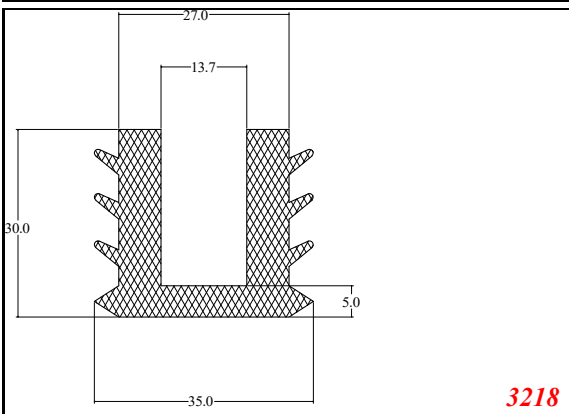
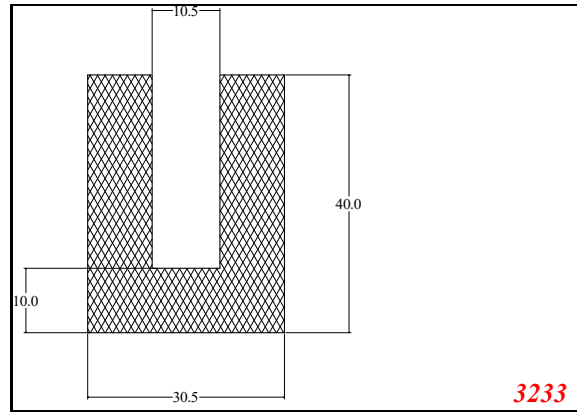
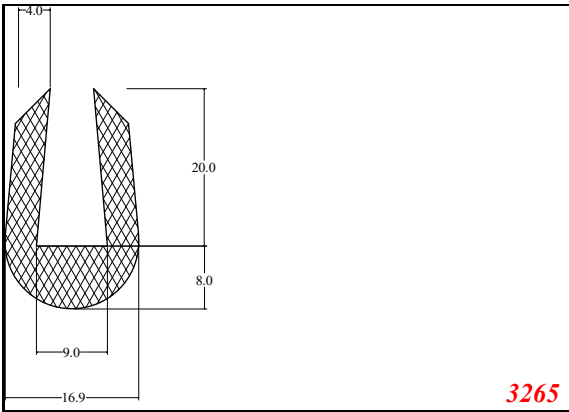


3272

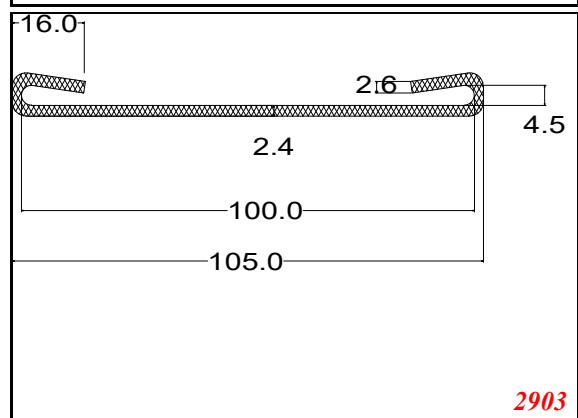
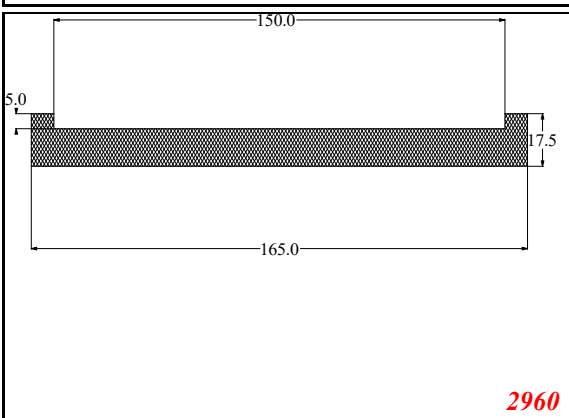
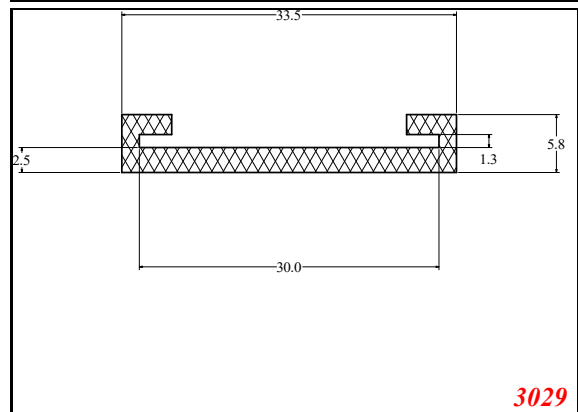
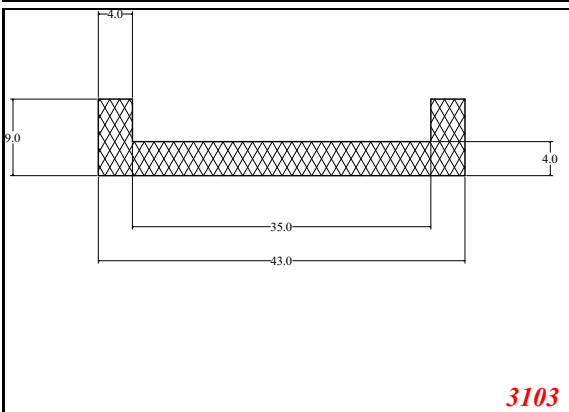
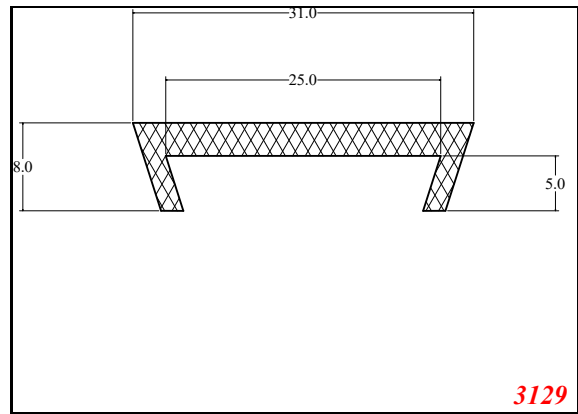
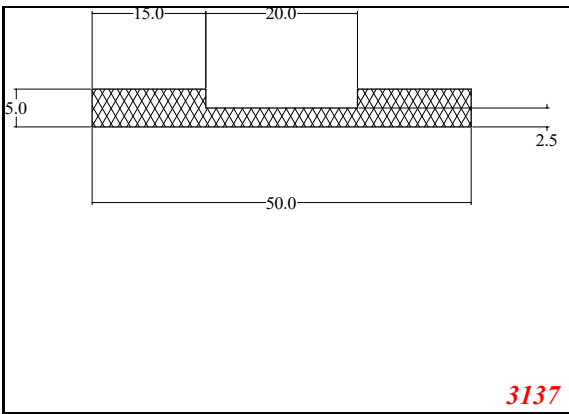
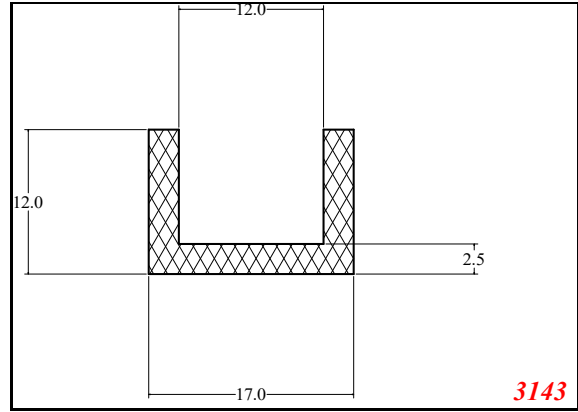
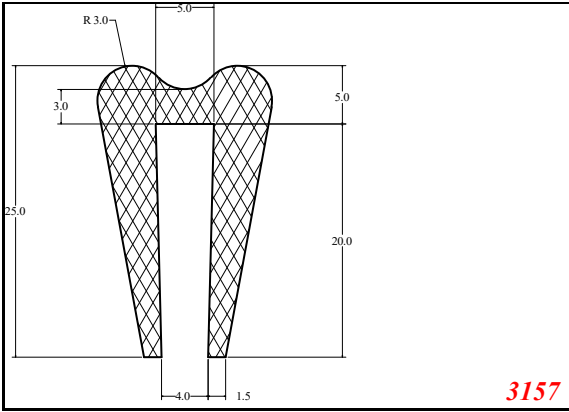


3269

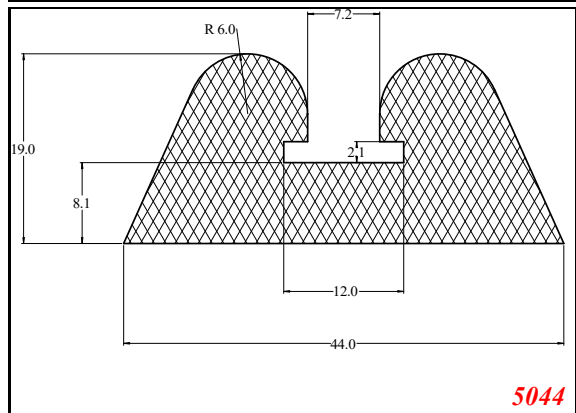
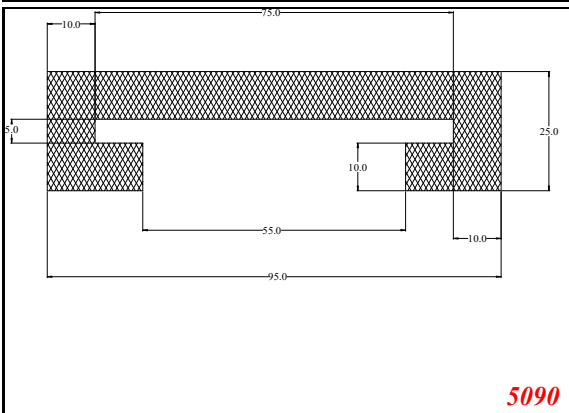
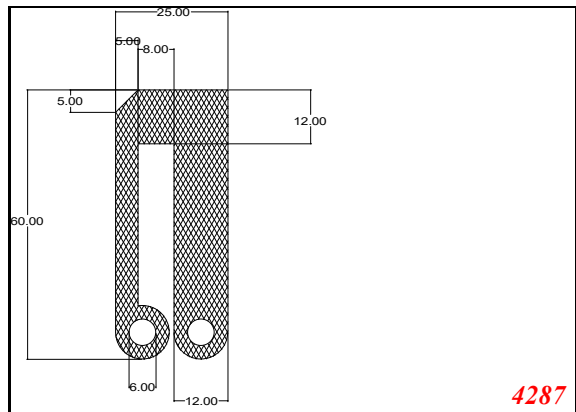
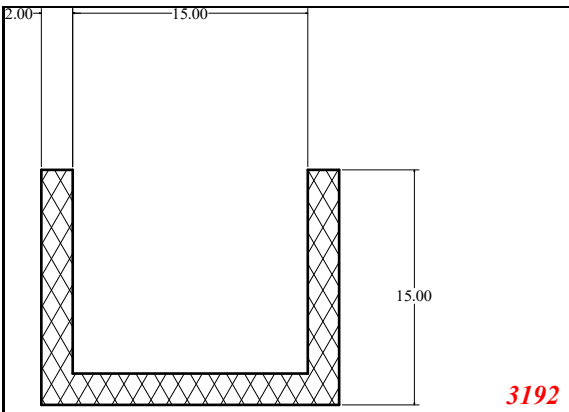
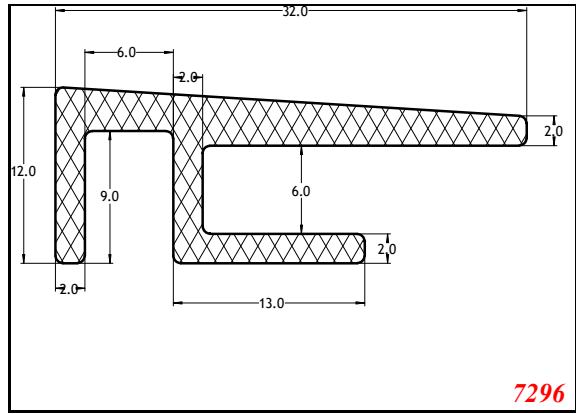
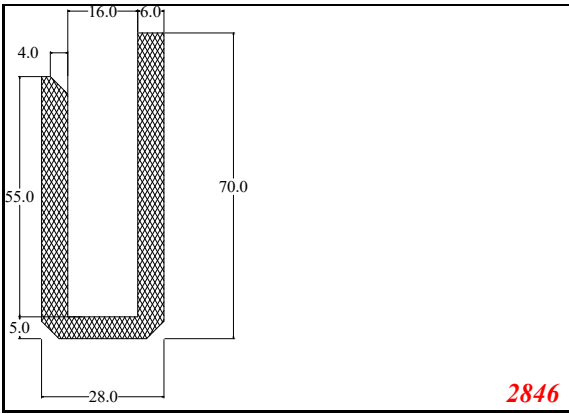
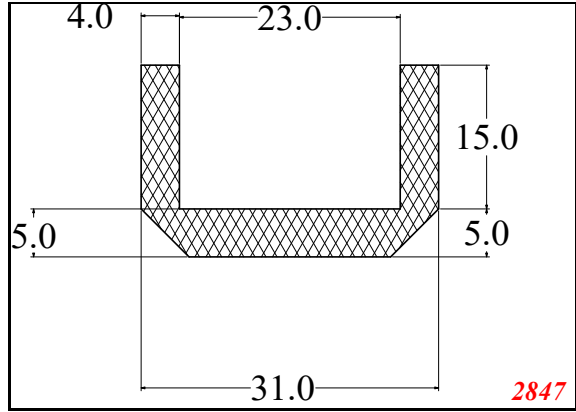
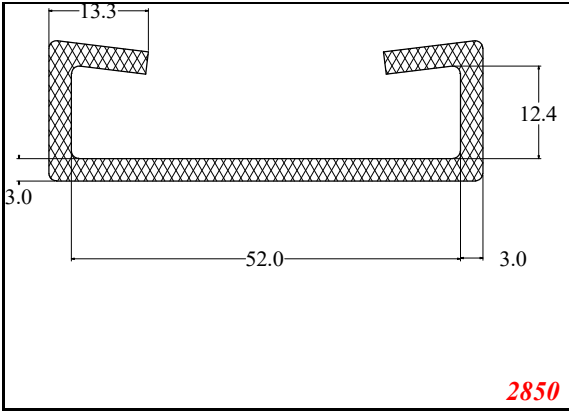
U-Large



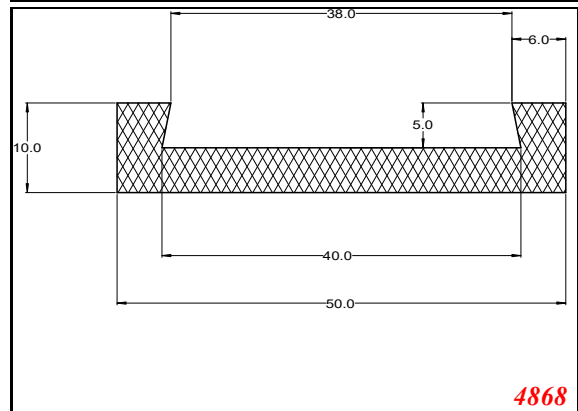
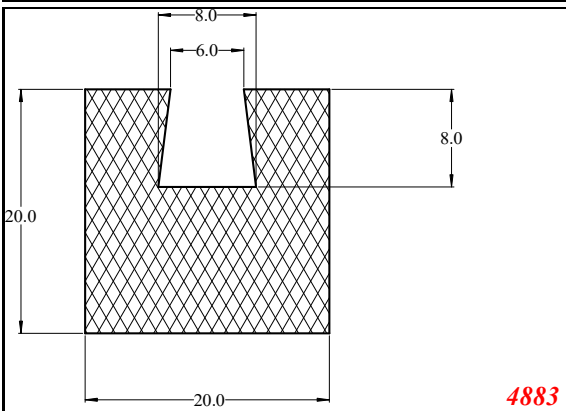
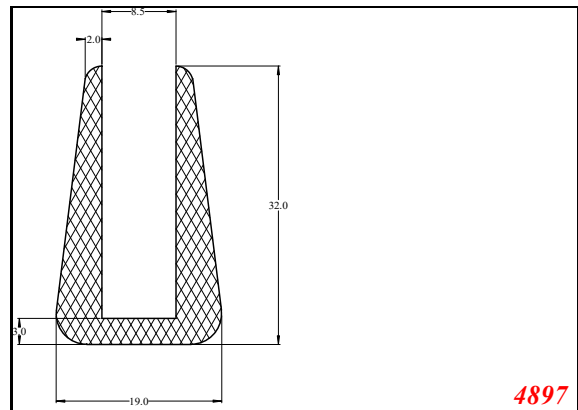
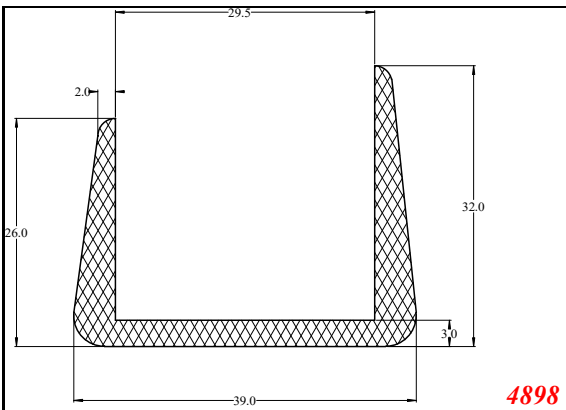
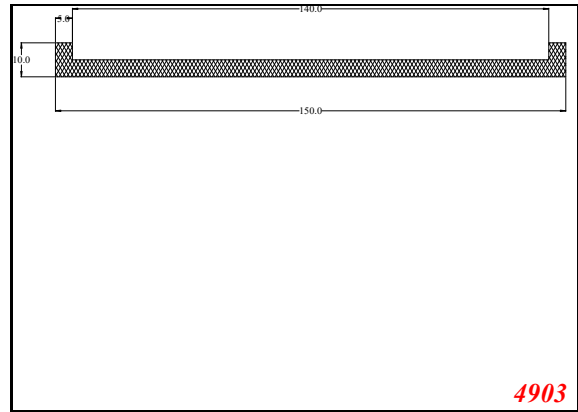
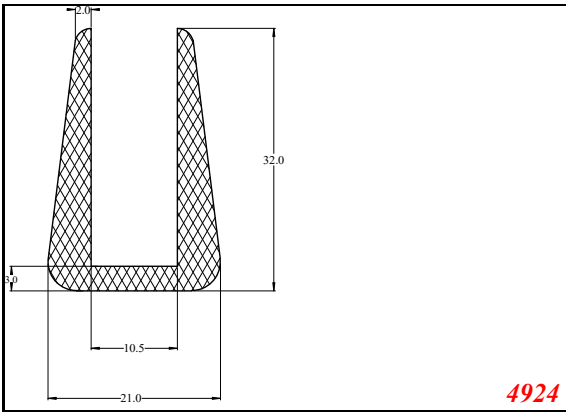
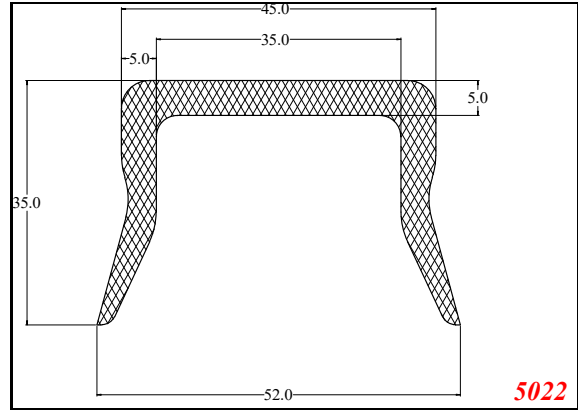
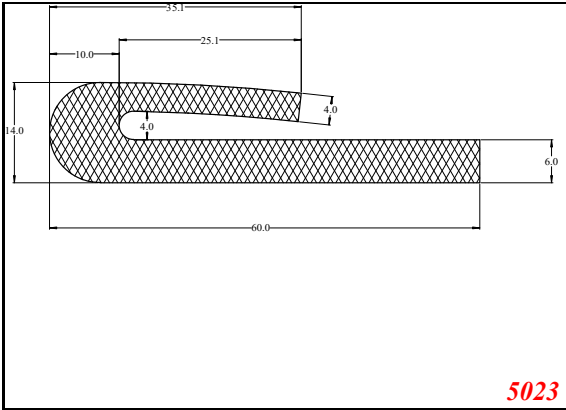
U-Large



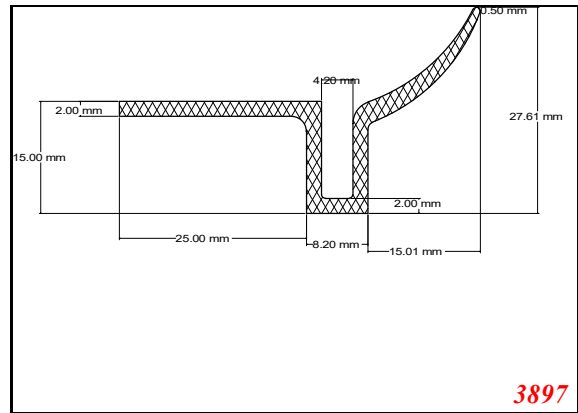
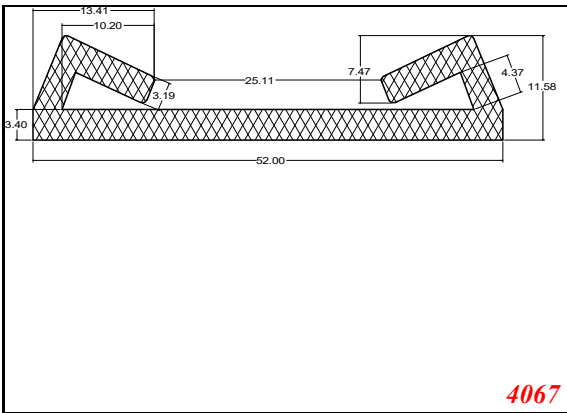
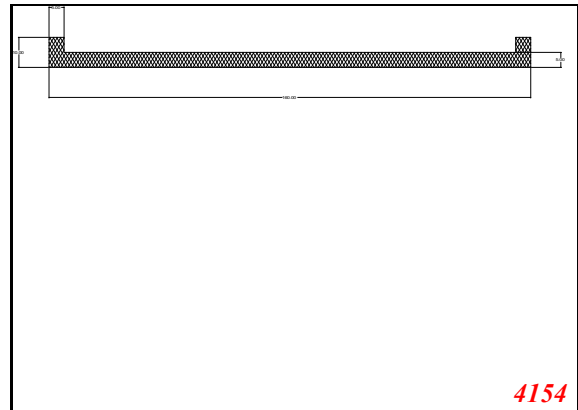
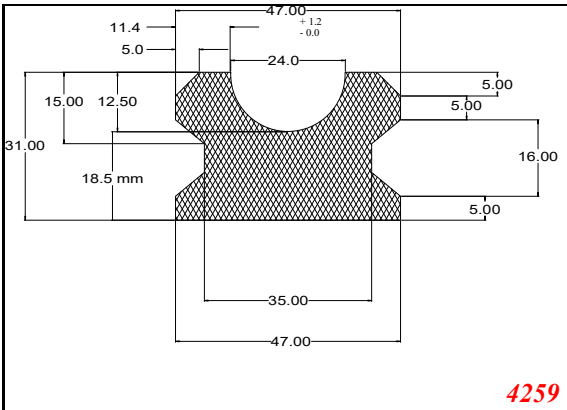
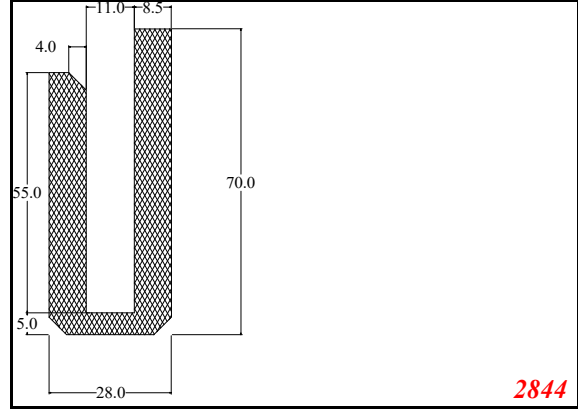
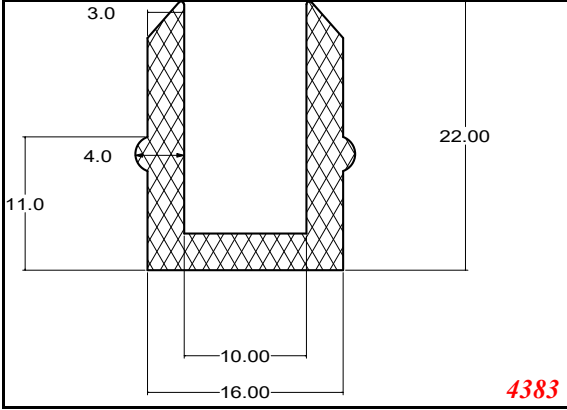
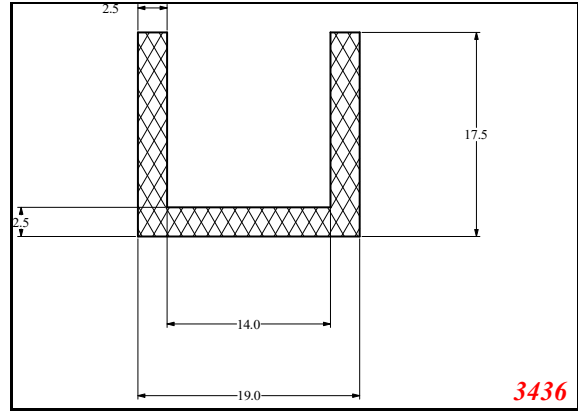
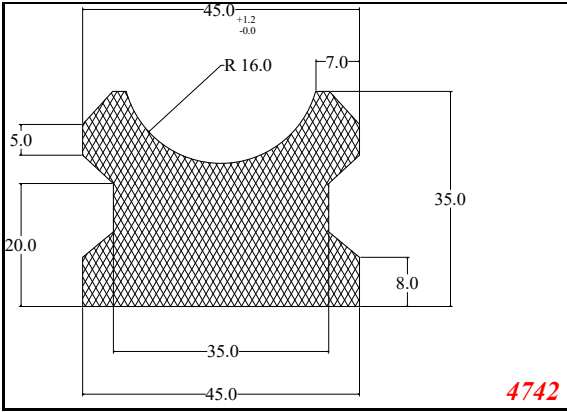
U-Large



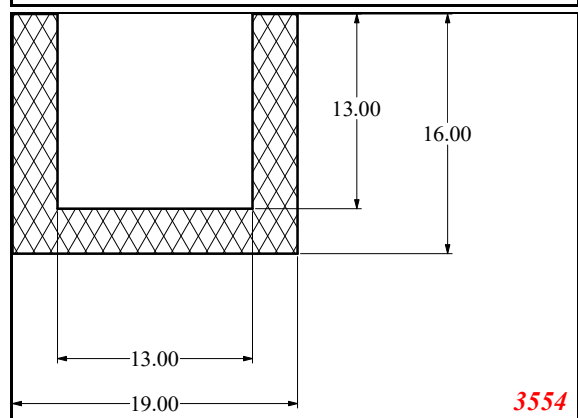
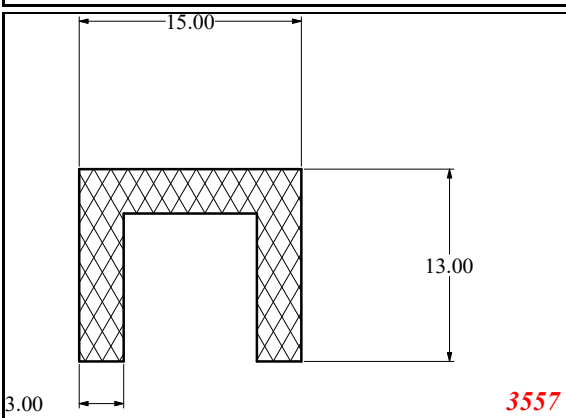
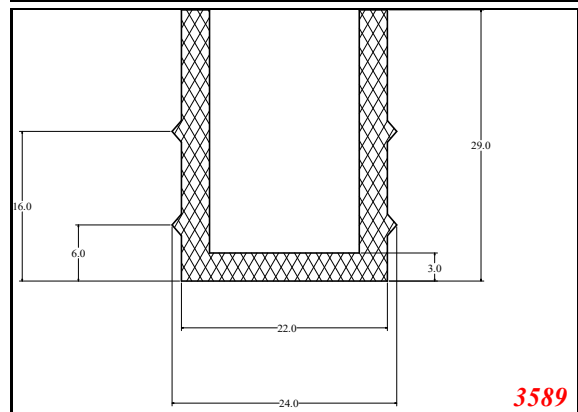
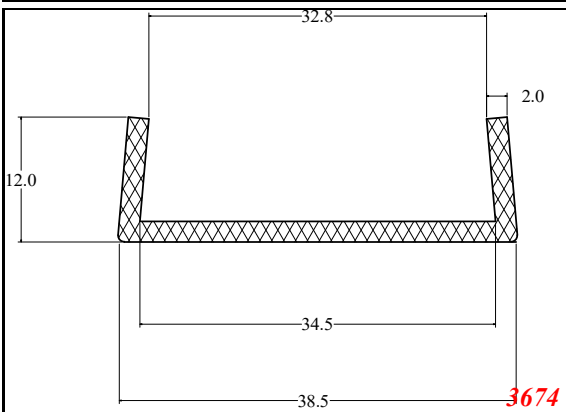
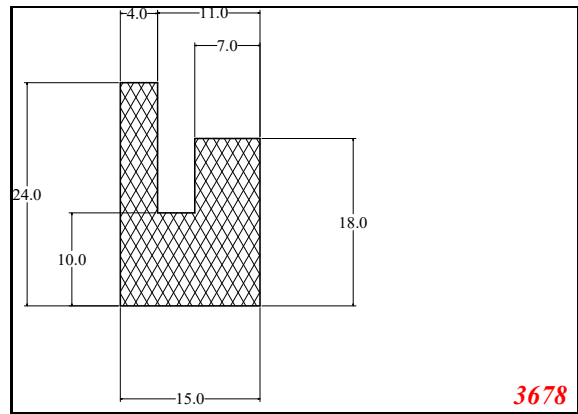
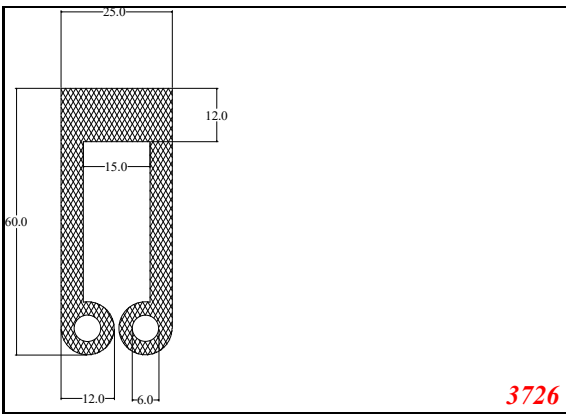
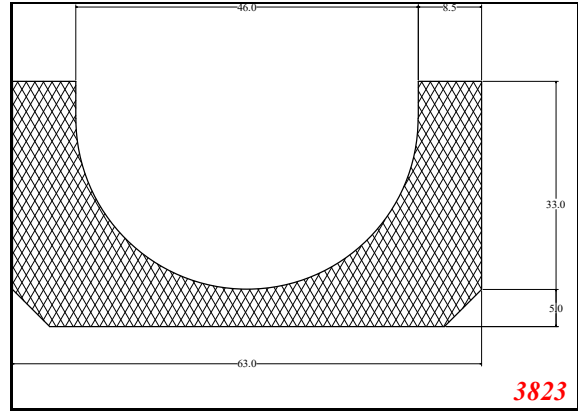
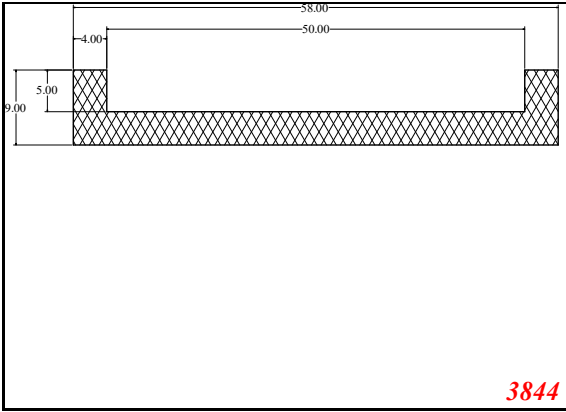
U-Large



U-Large



U-Large



U-Large

