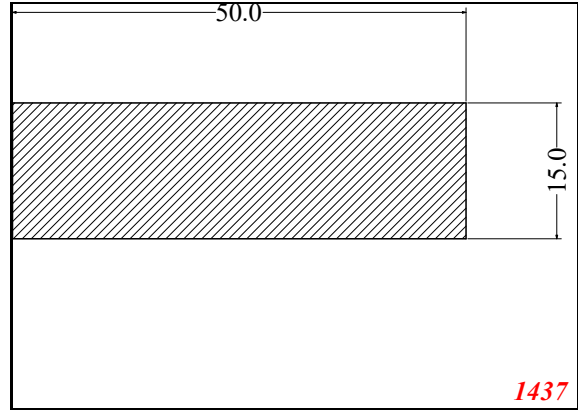
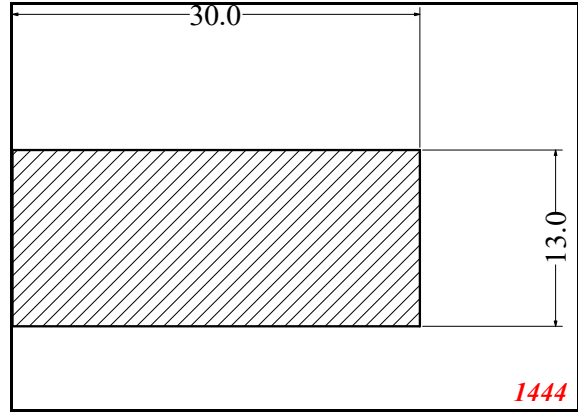
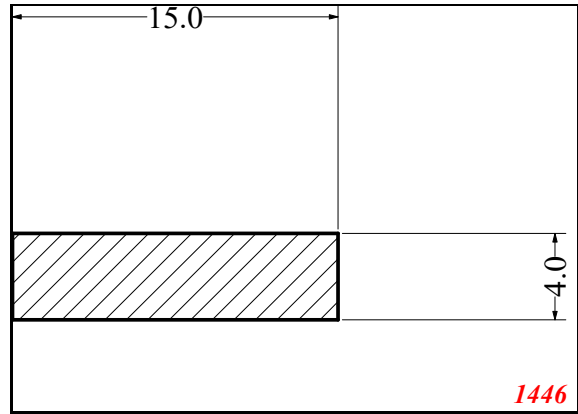
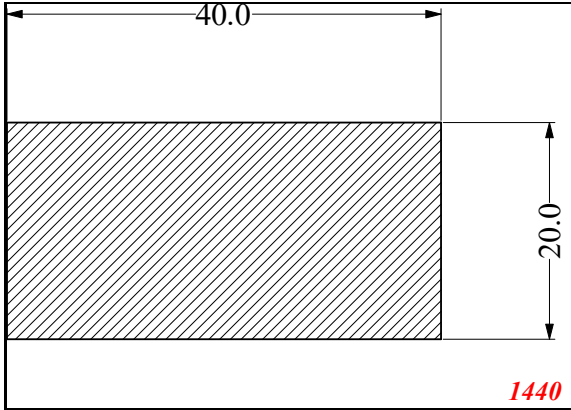
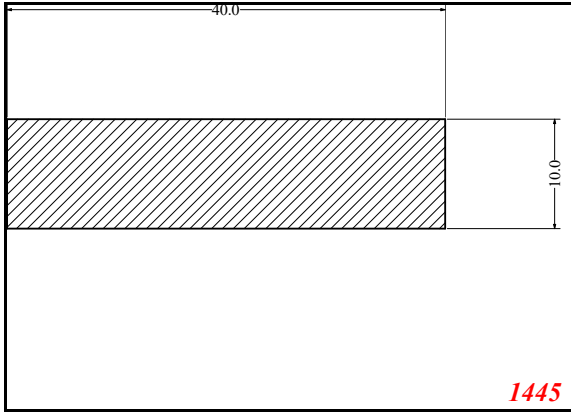
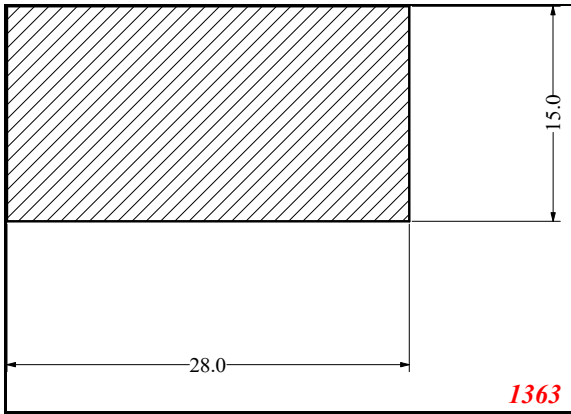
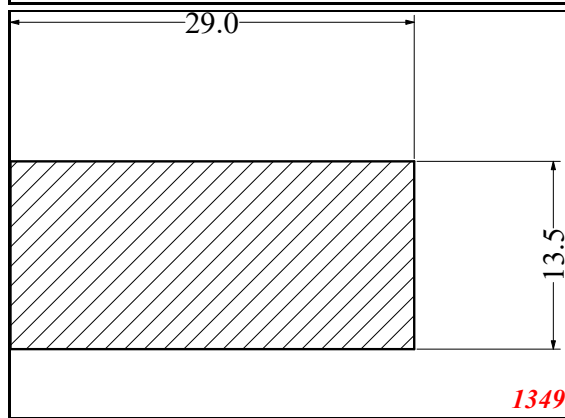
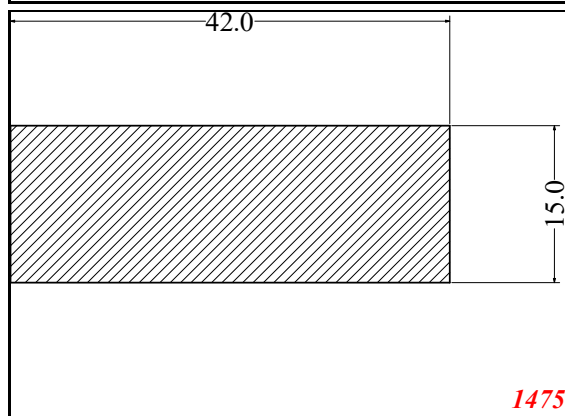
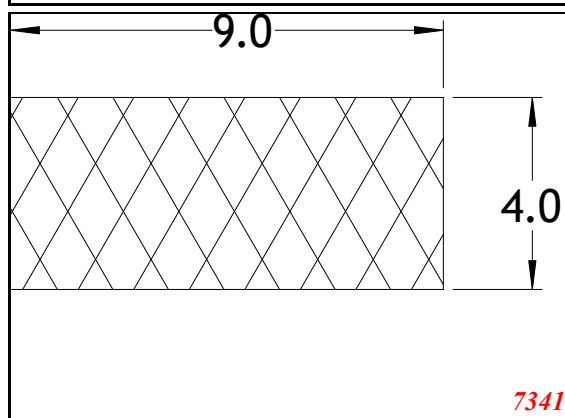
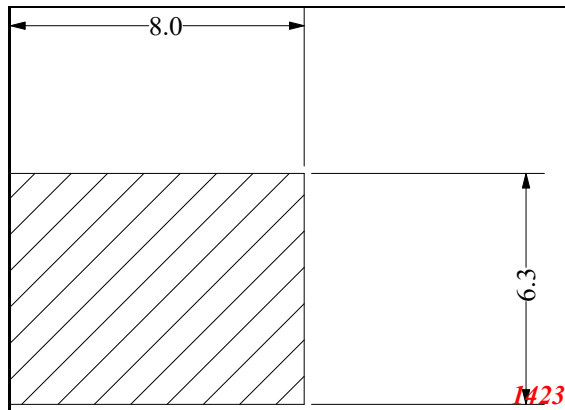
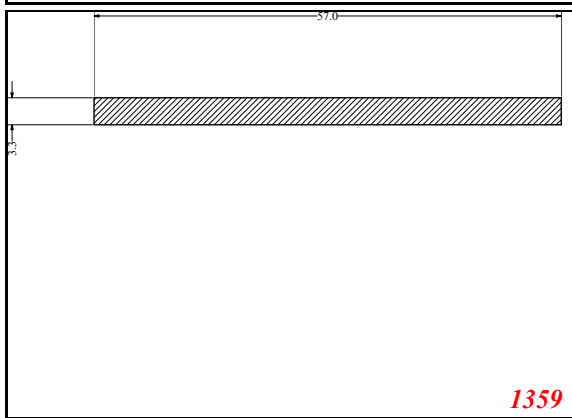
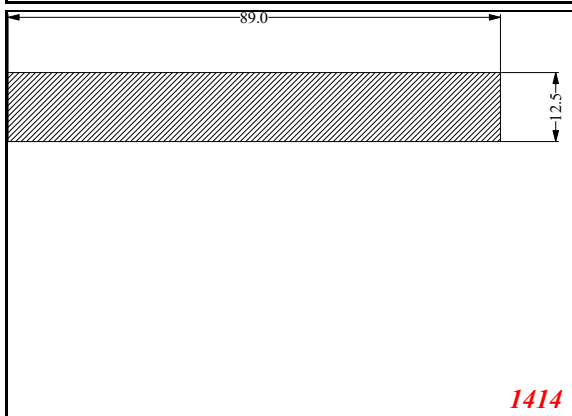
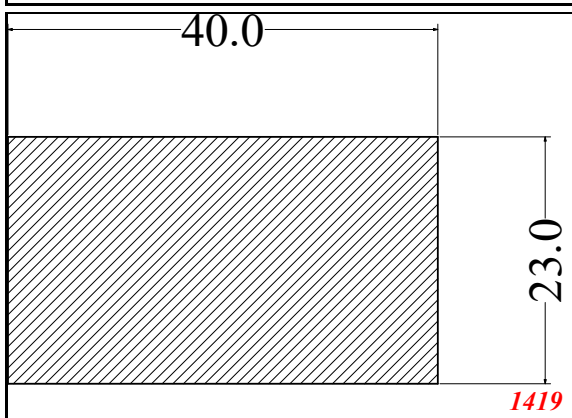
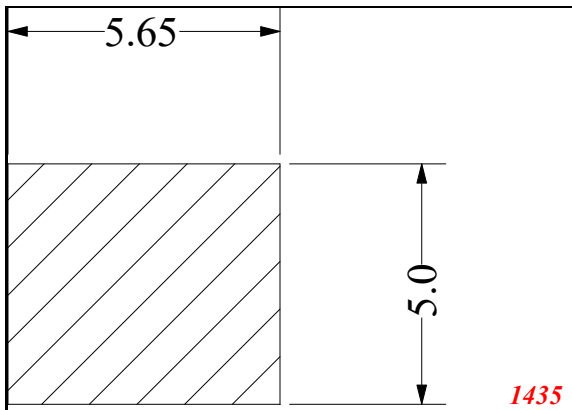


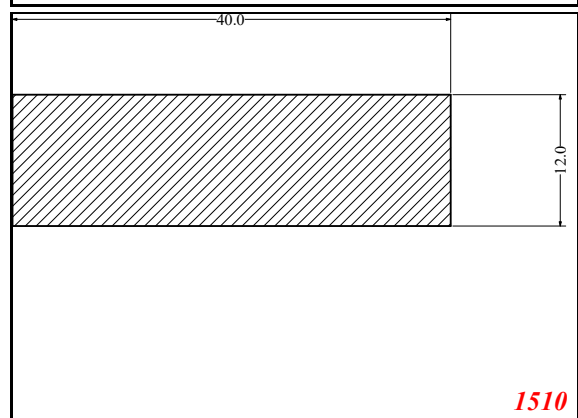
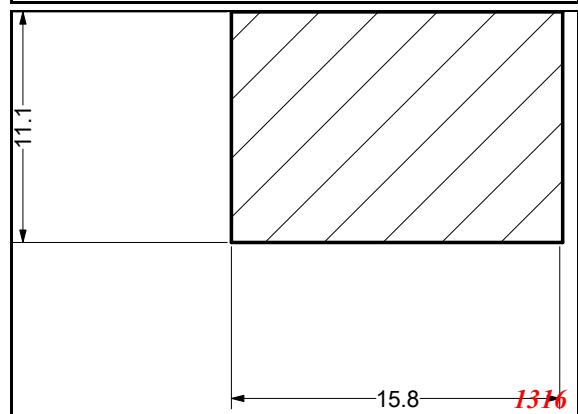
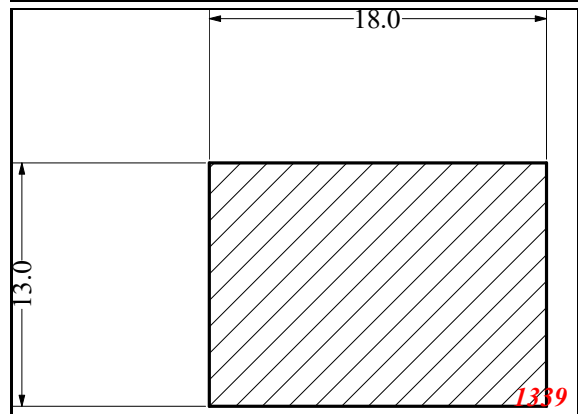
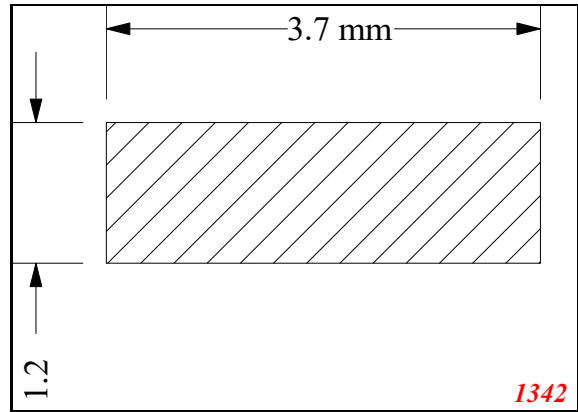
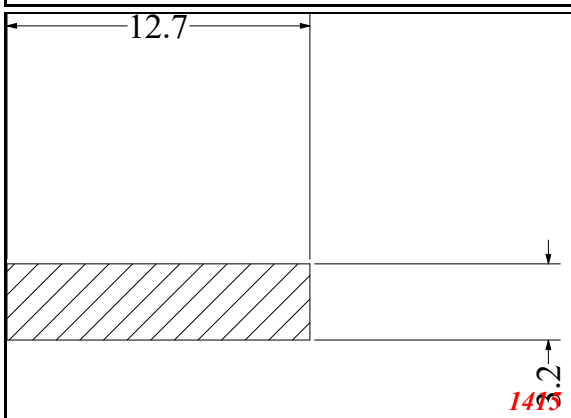
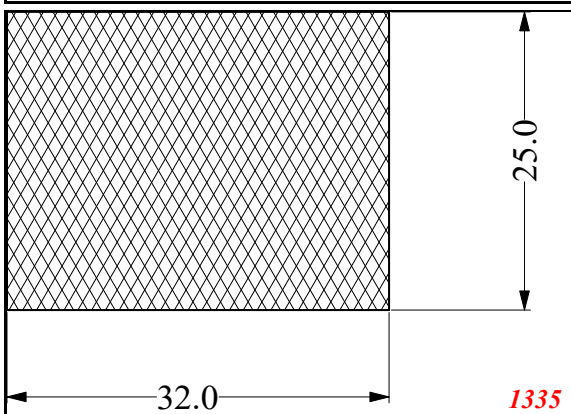
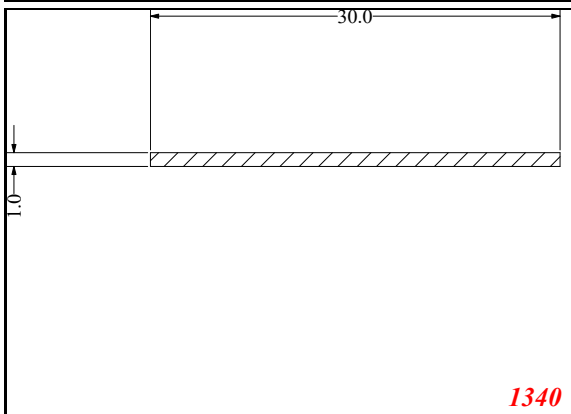
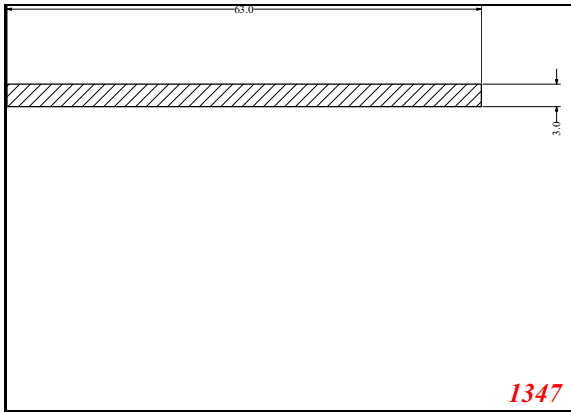
*Strip*



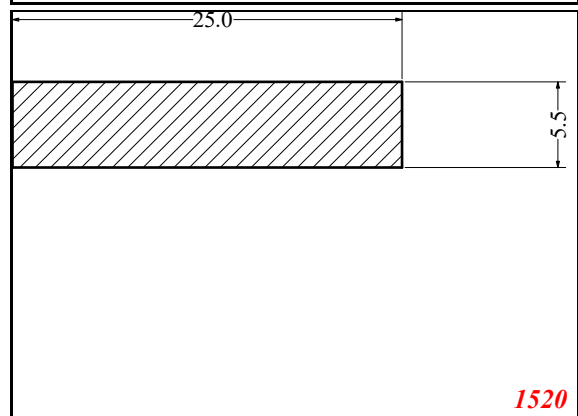
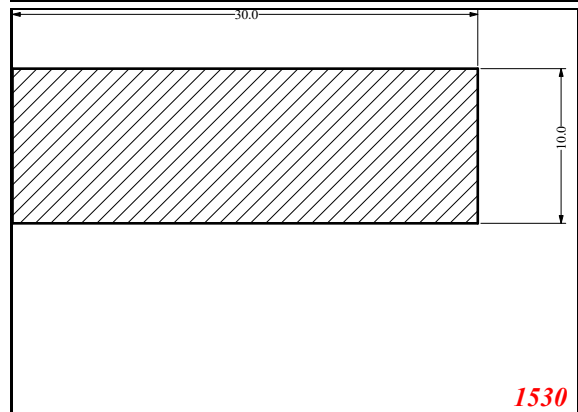
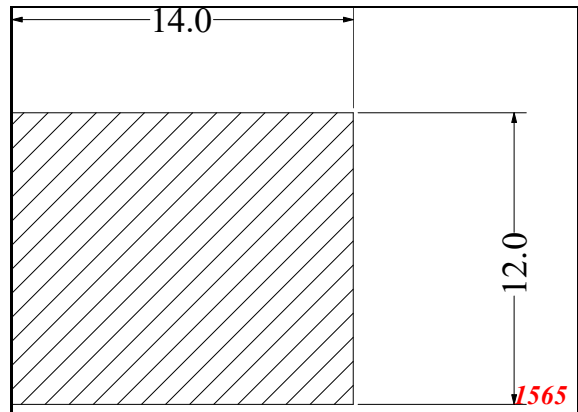
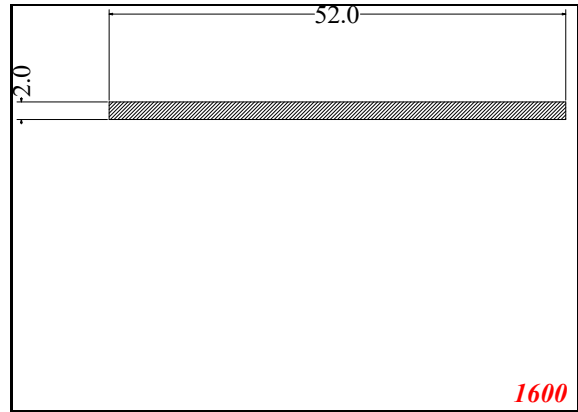
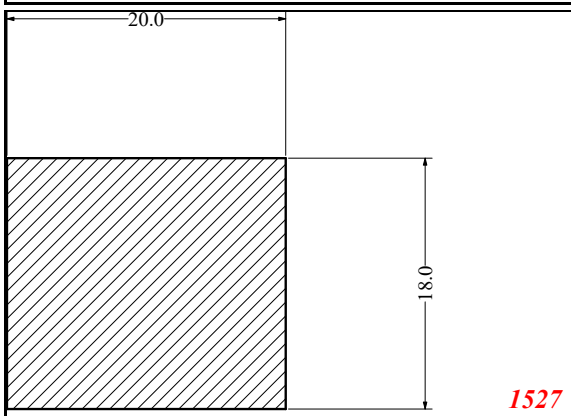
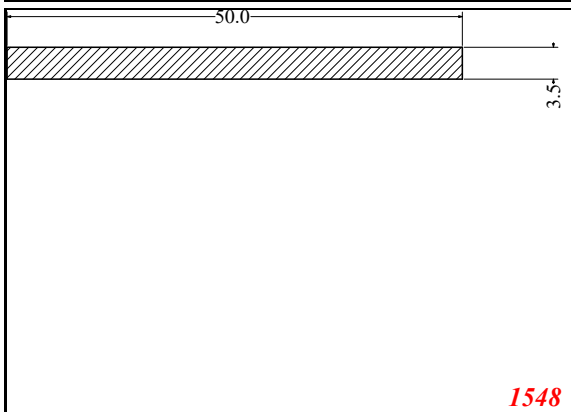
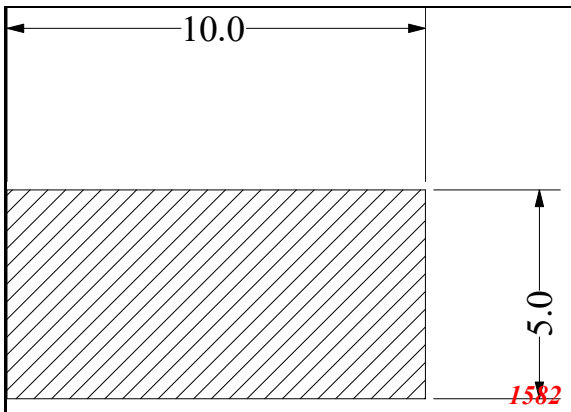
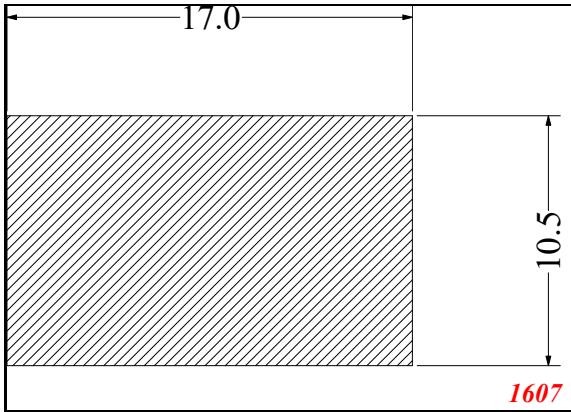
Strip



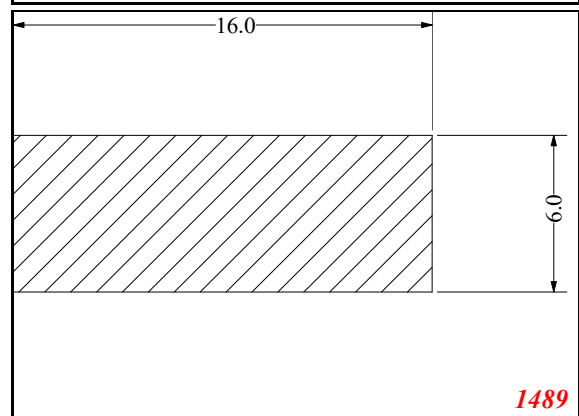
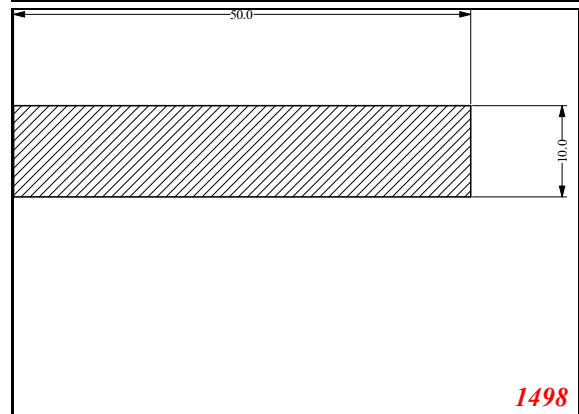
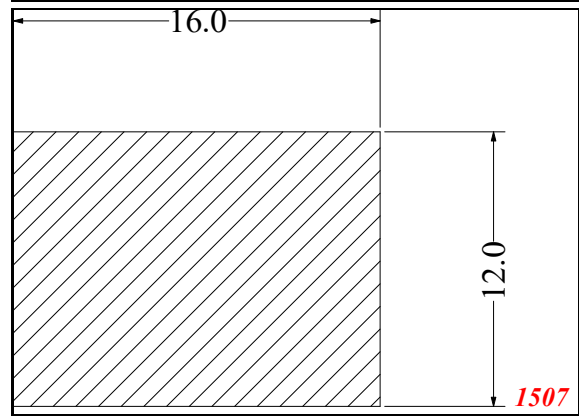
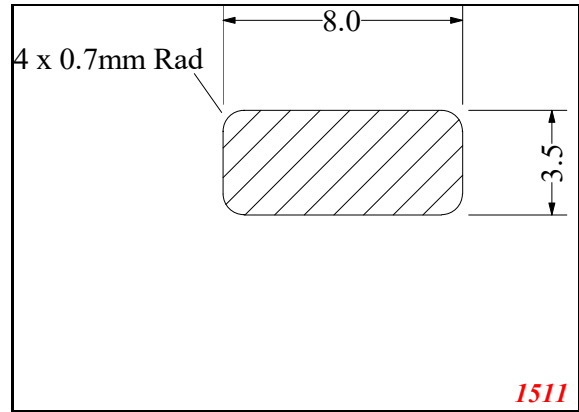
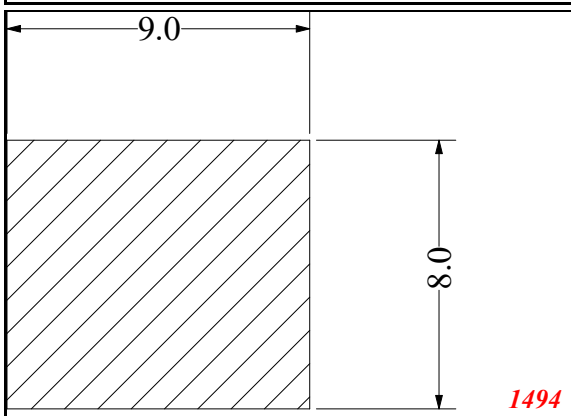
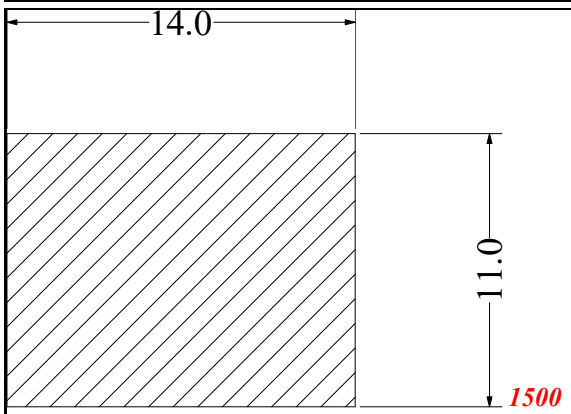
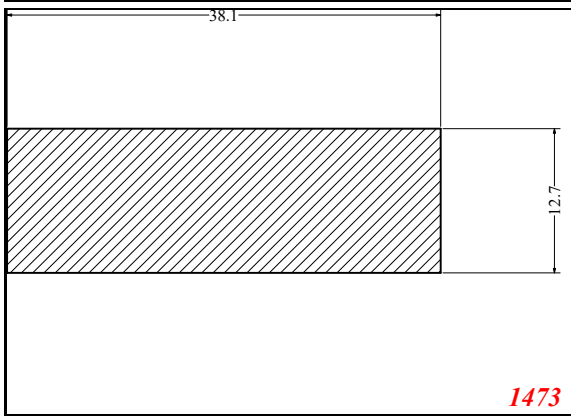
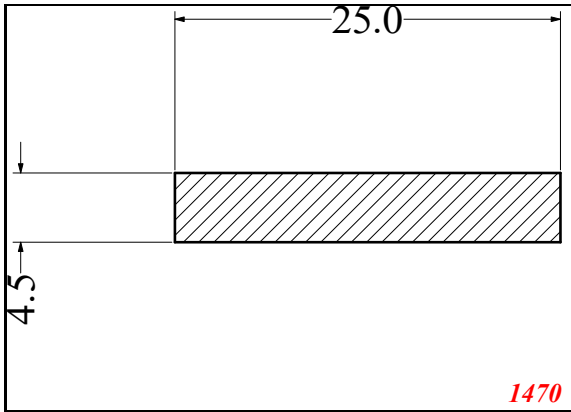
Strip



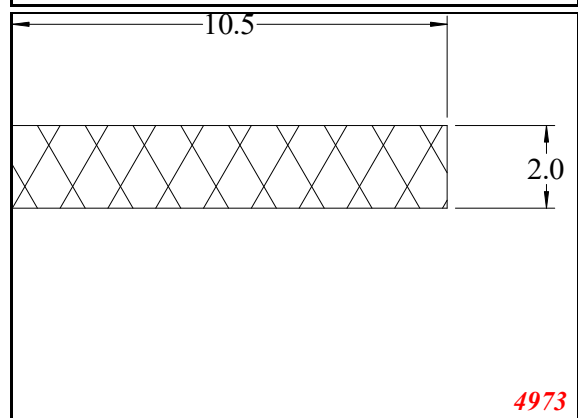
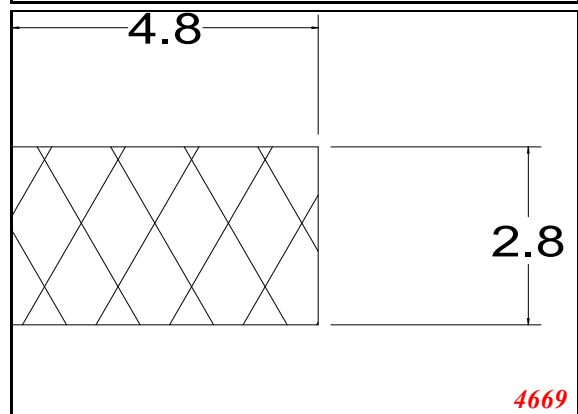
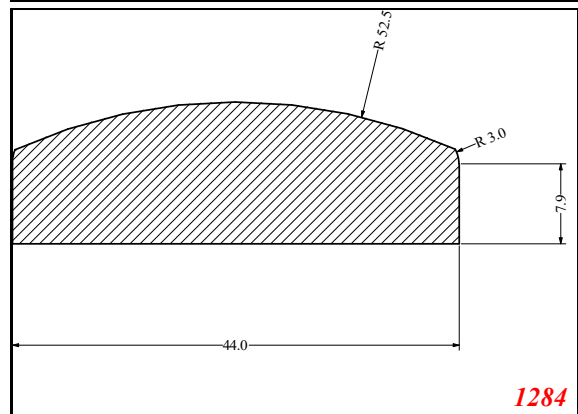
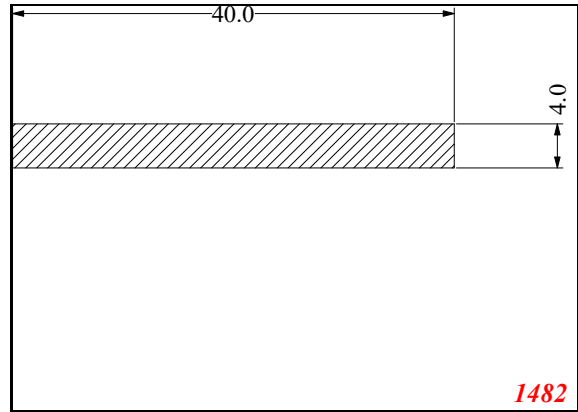
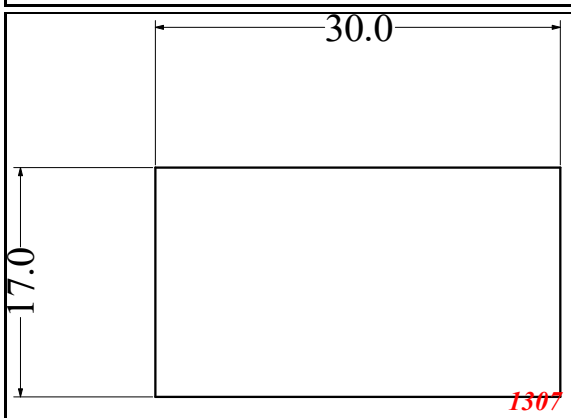
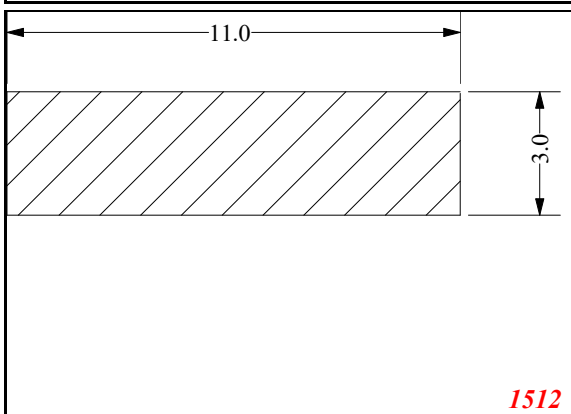
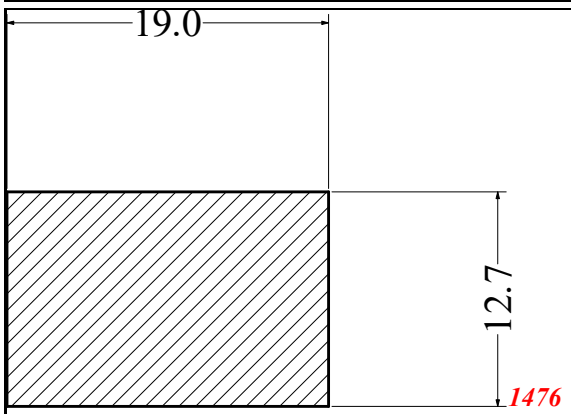
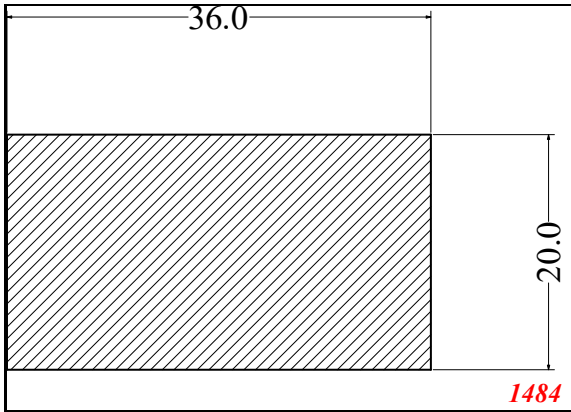
Strip



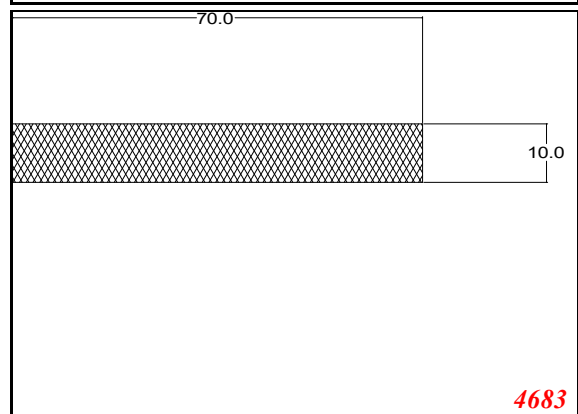
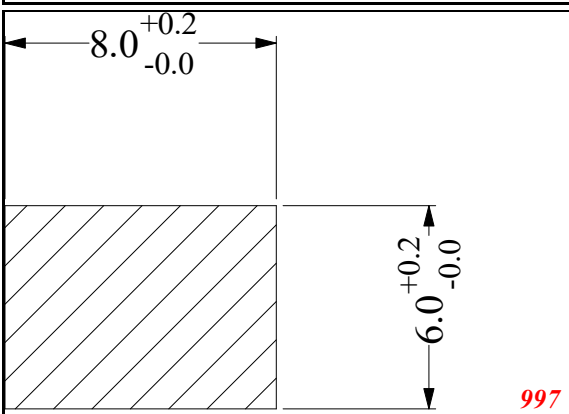
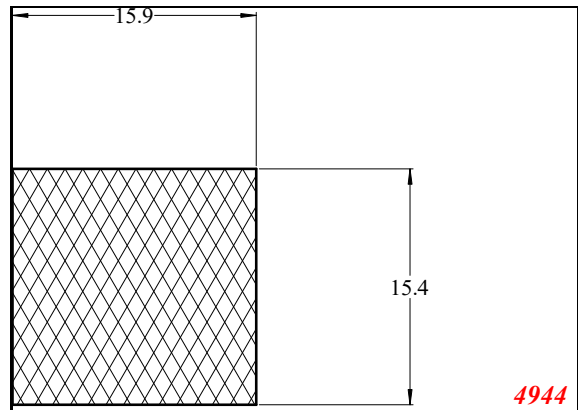
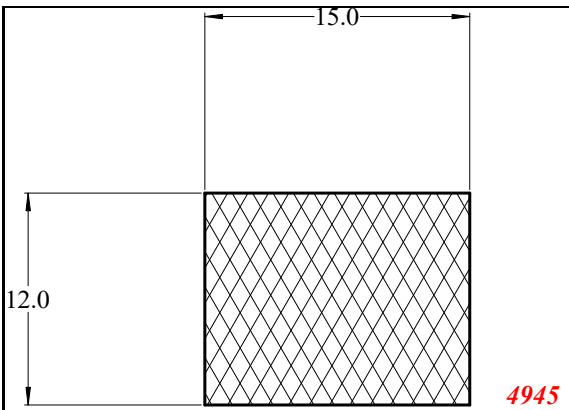
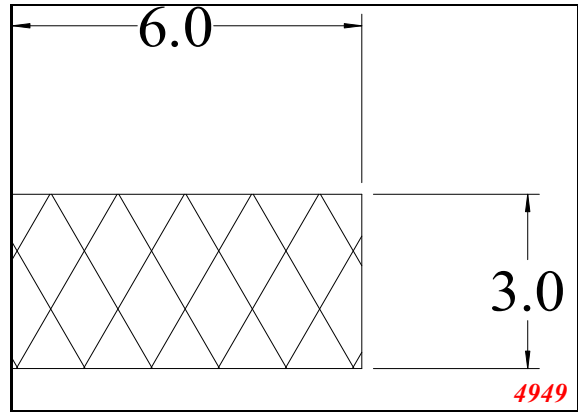
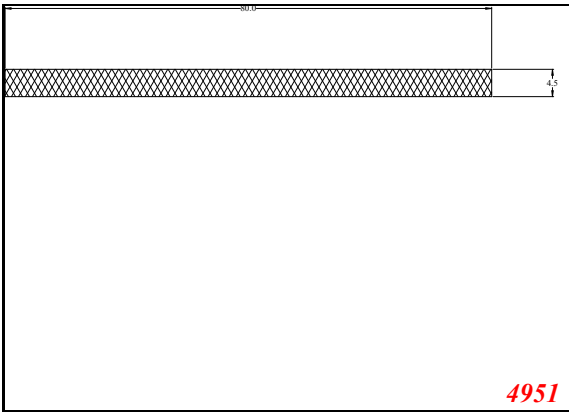
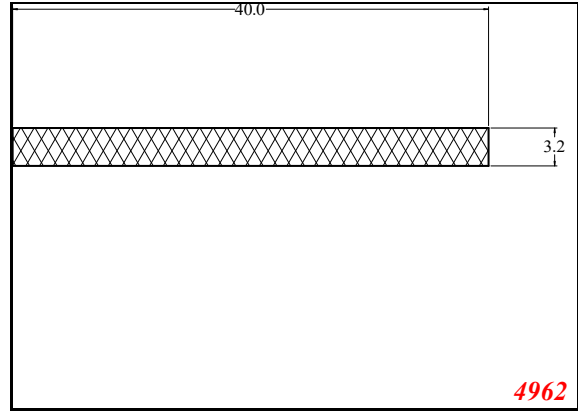
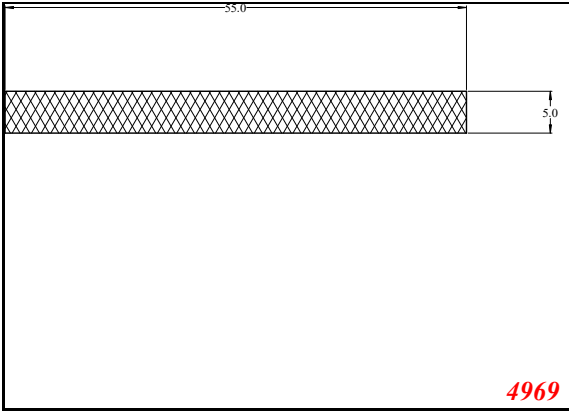
Strip



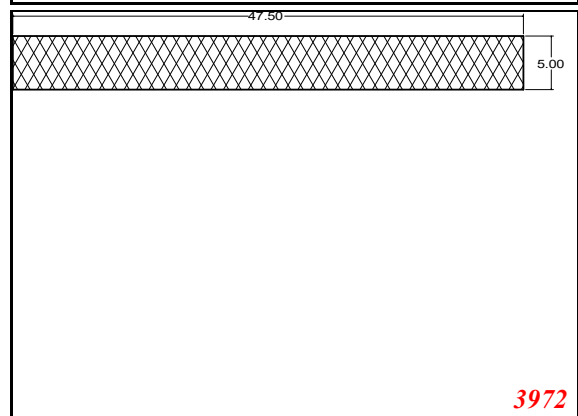
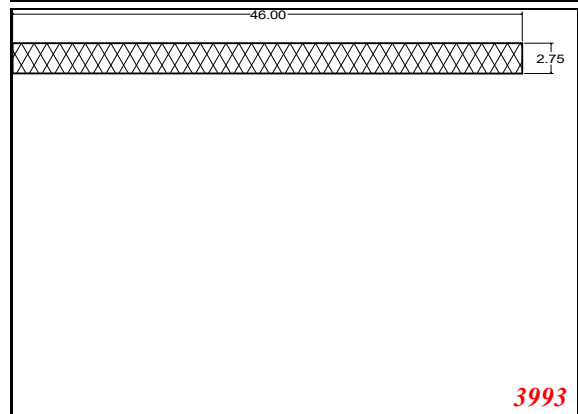
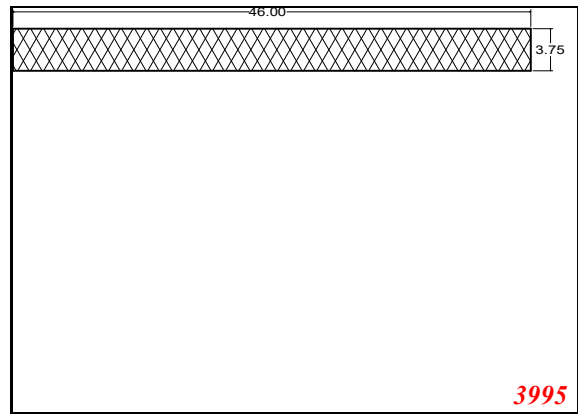
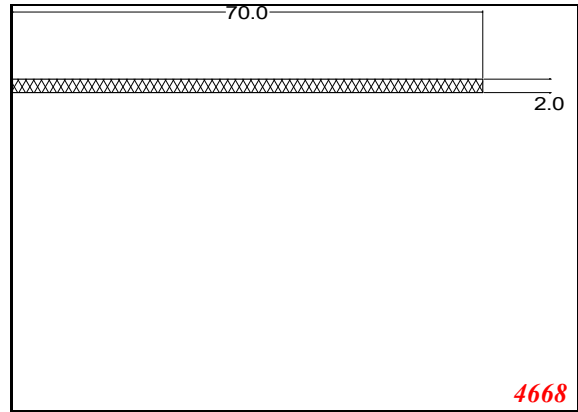
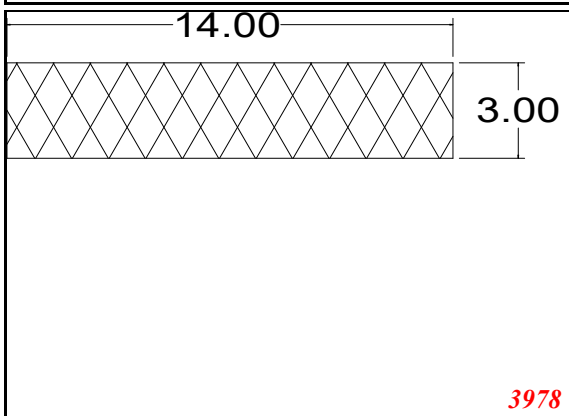
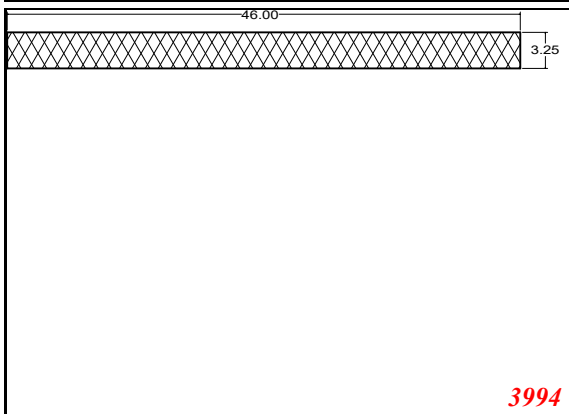
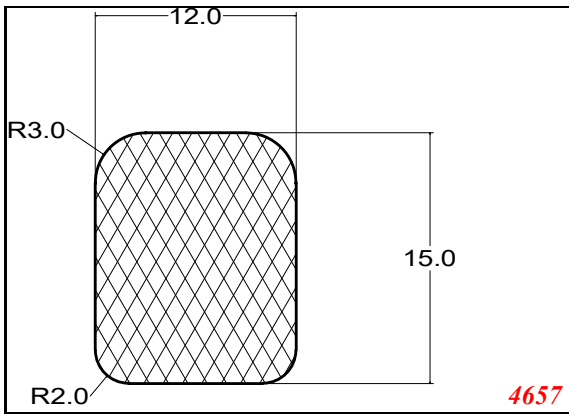
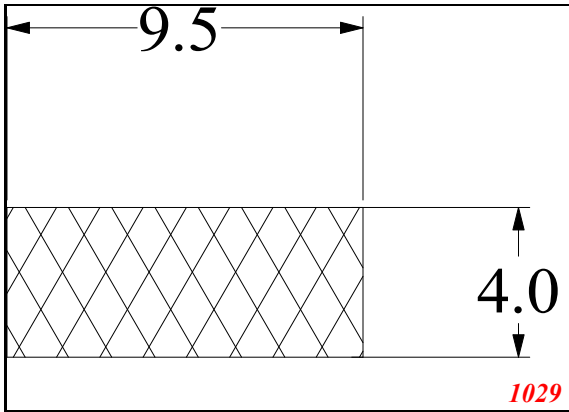
Strip



Strip

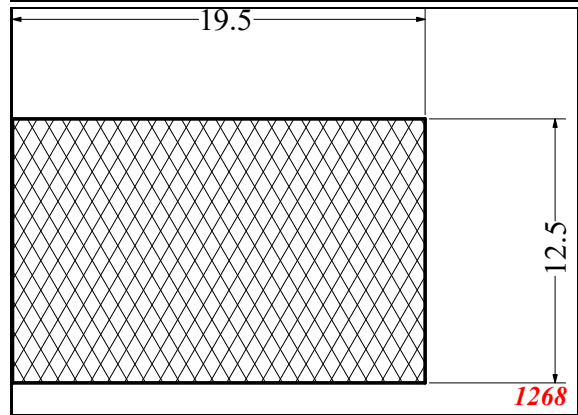
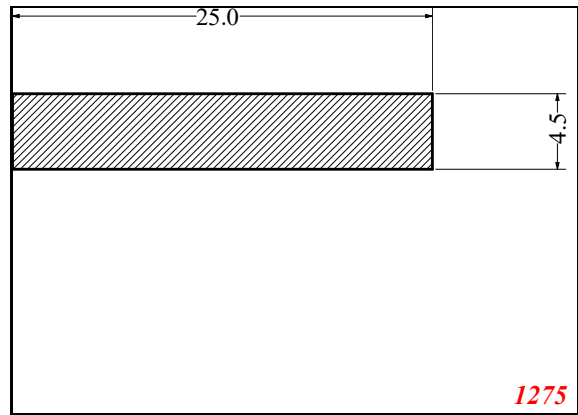
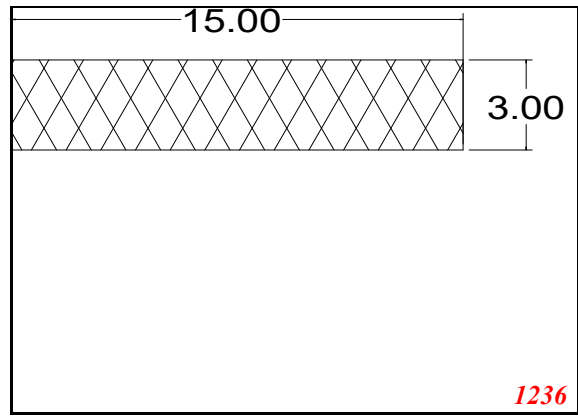
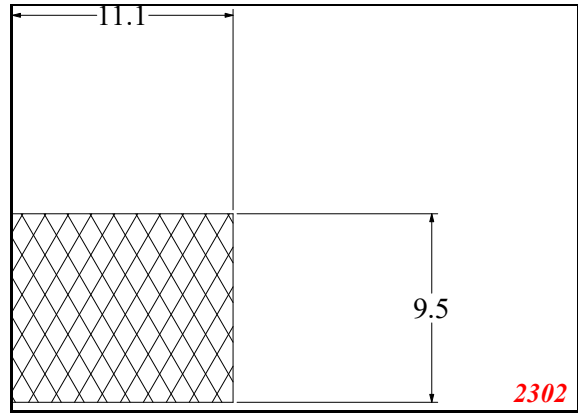
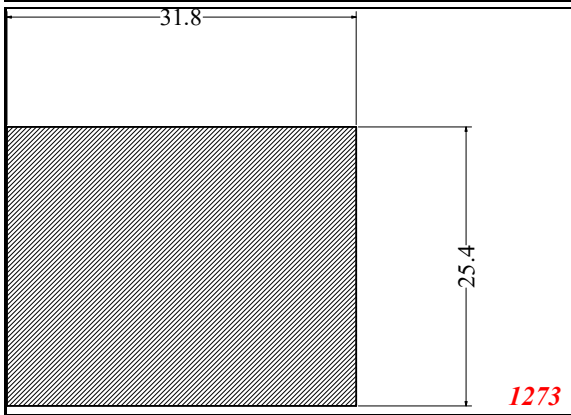
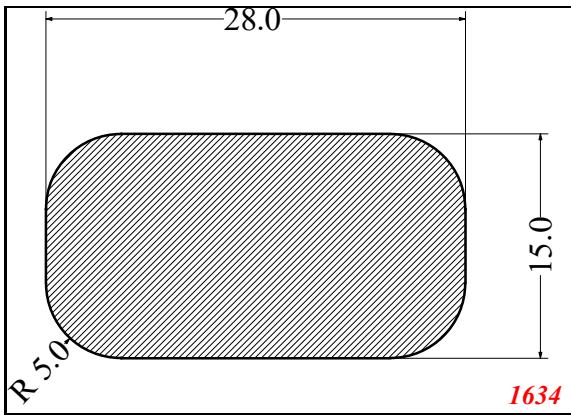
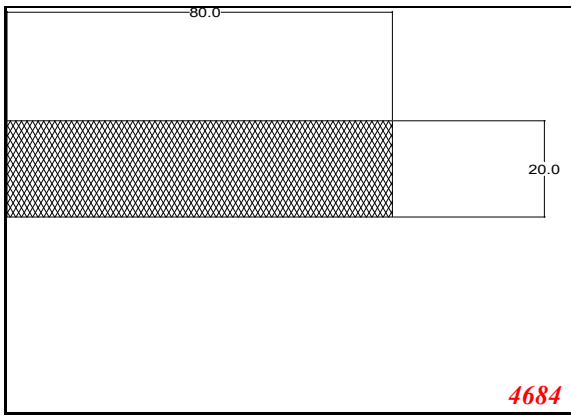
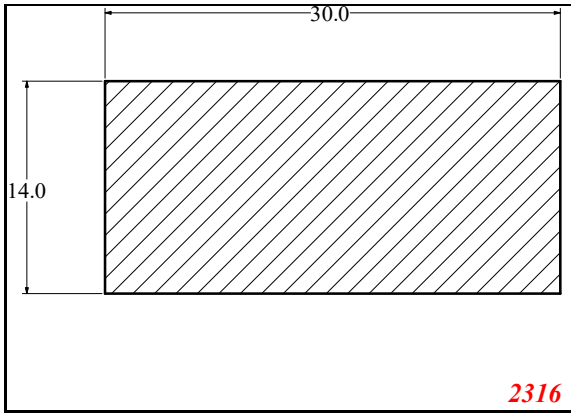


*Strip*

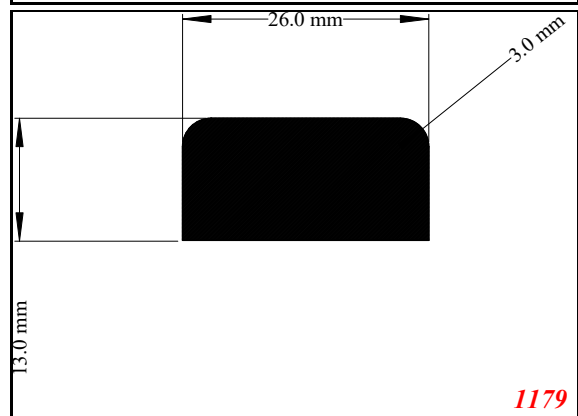
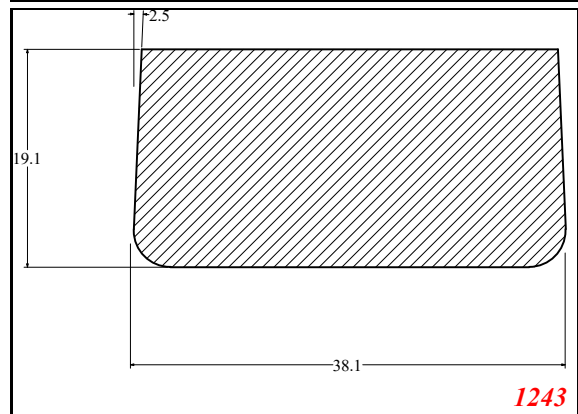
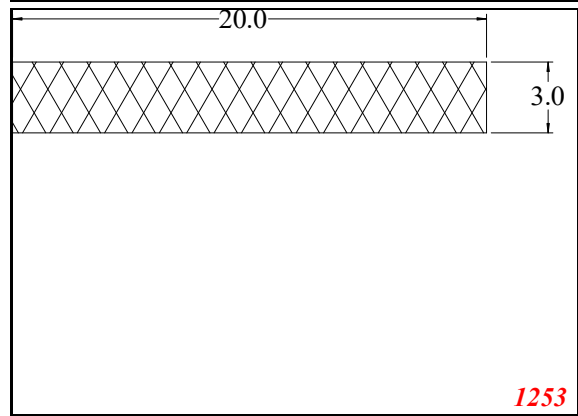
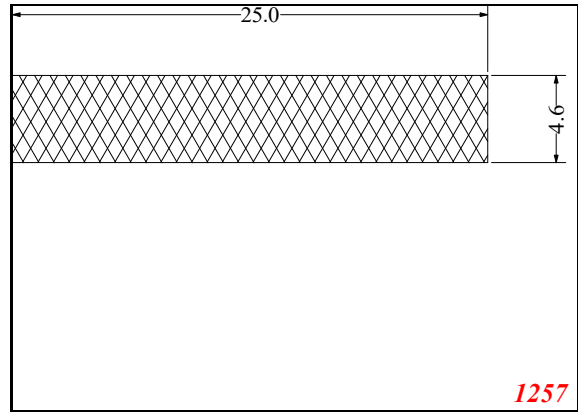
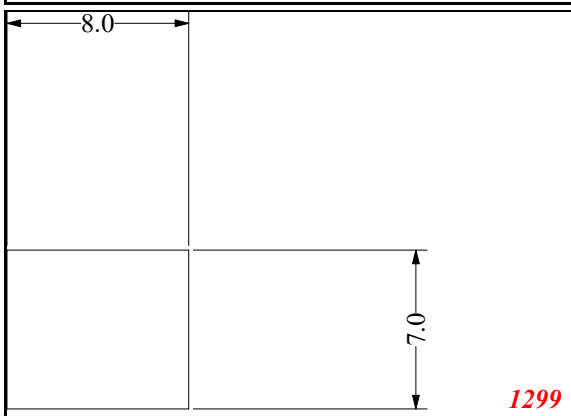
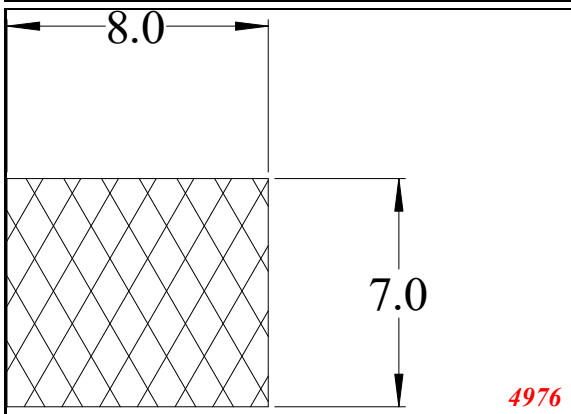
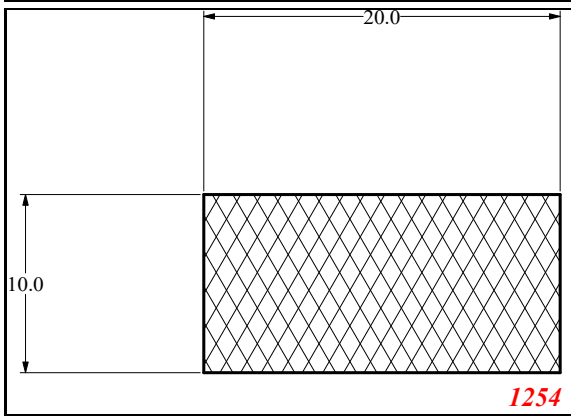
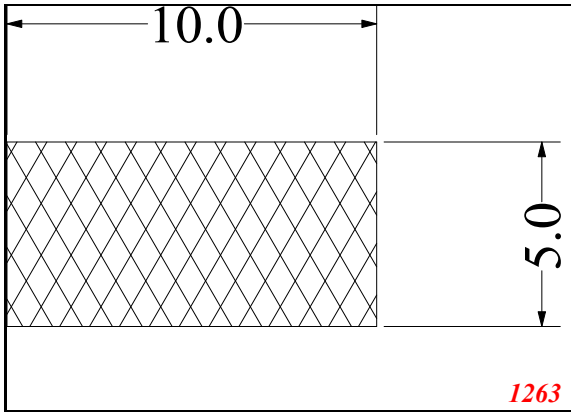




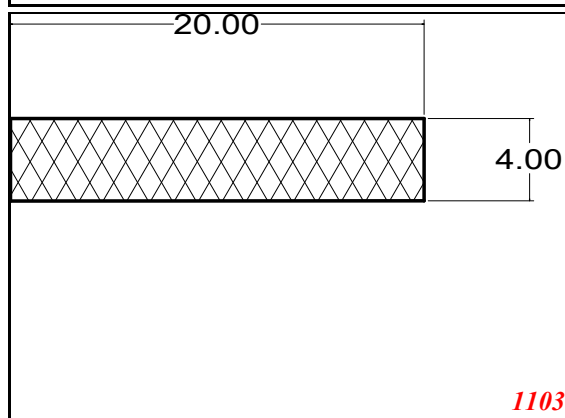
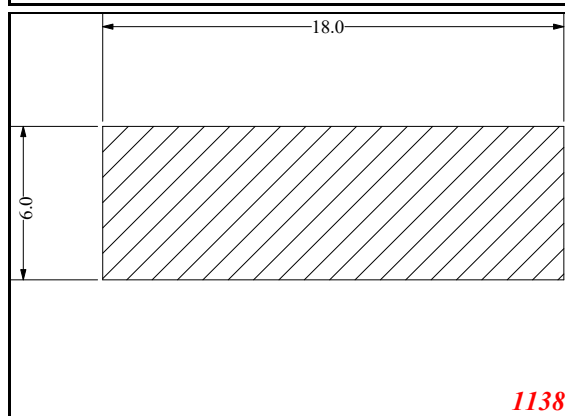
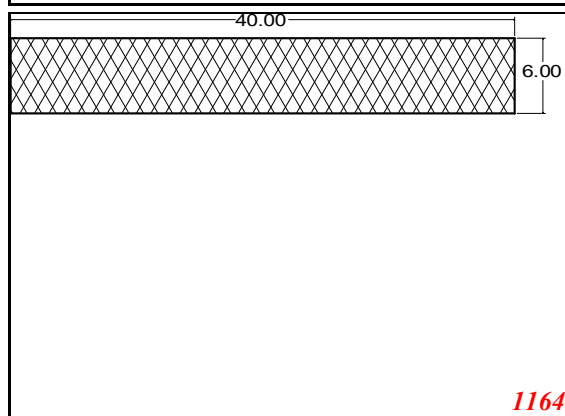
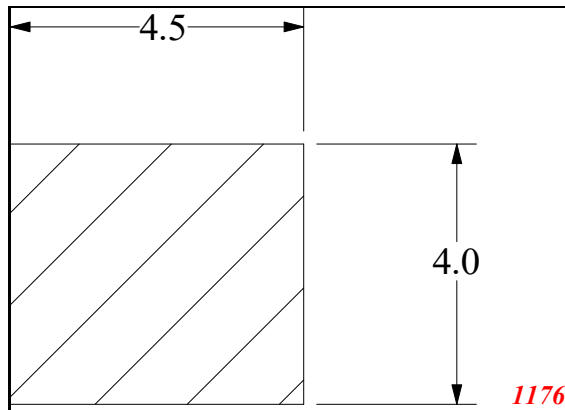
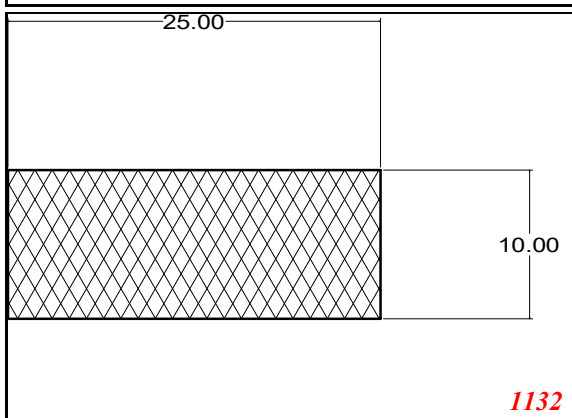
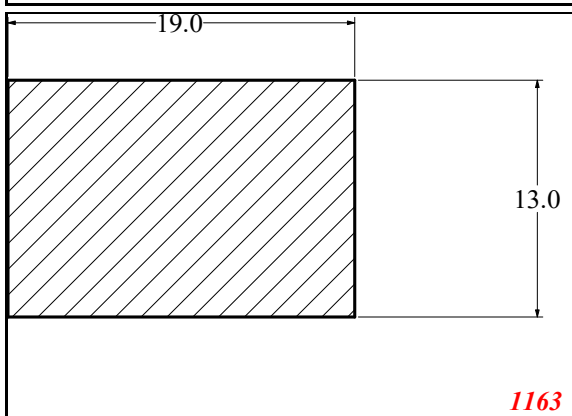
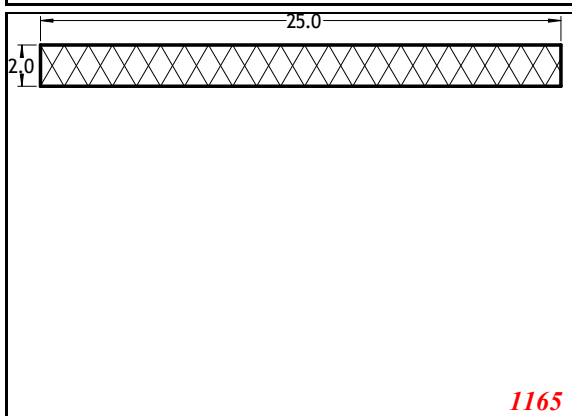
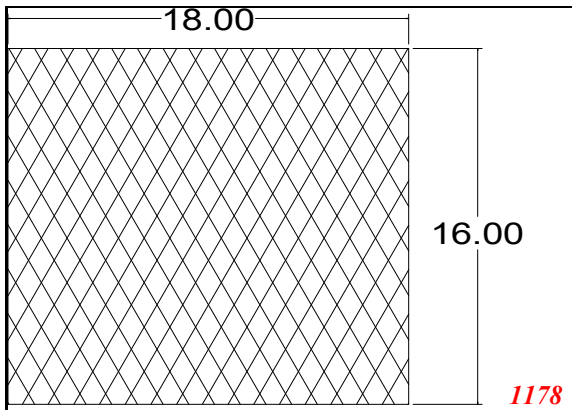
Strip



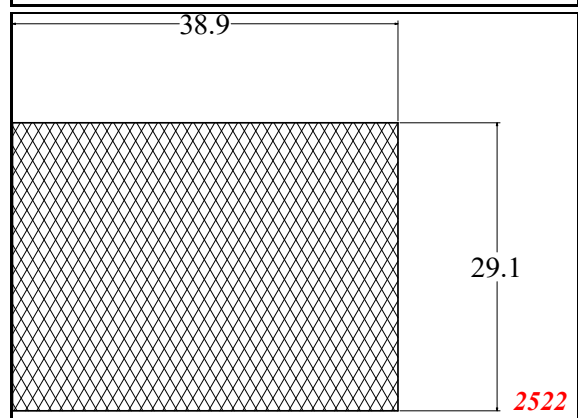
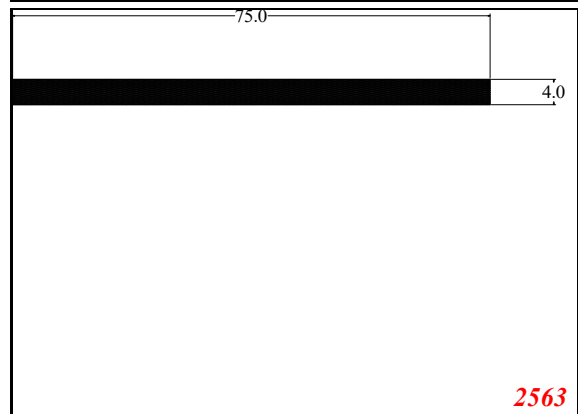
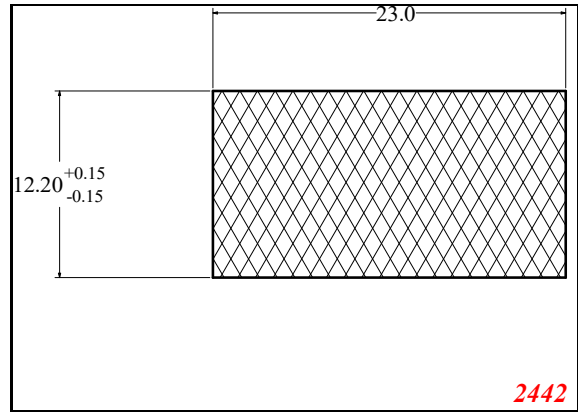
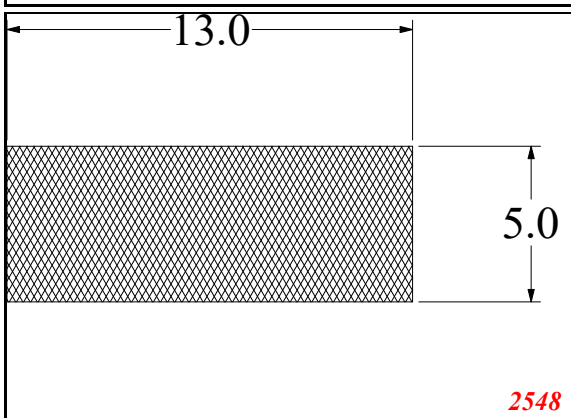
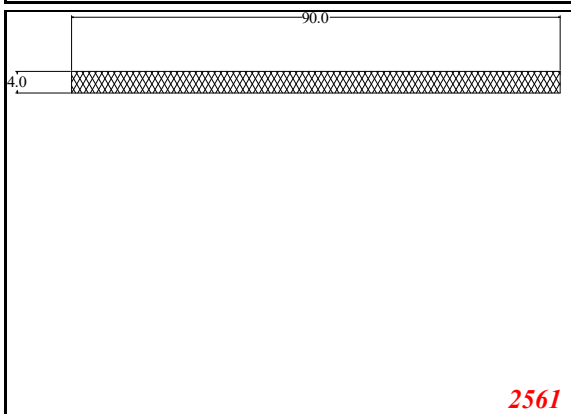
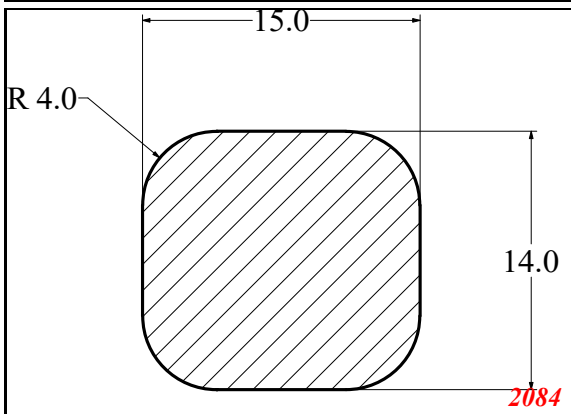
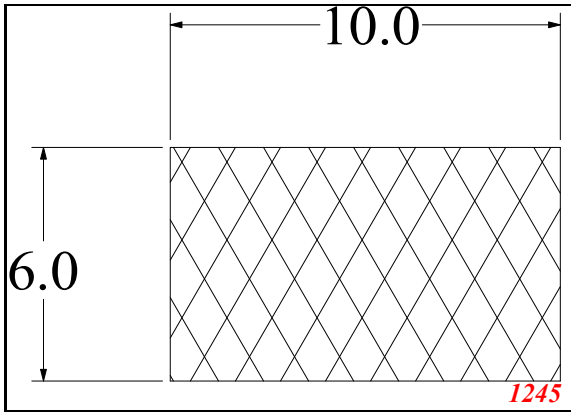
Strip



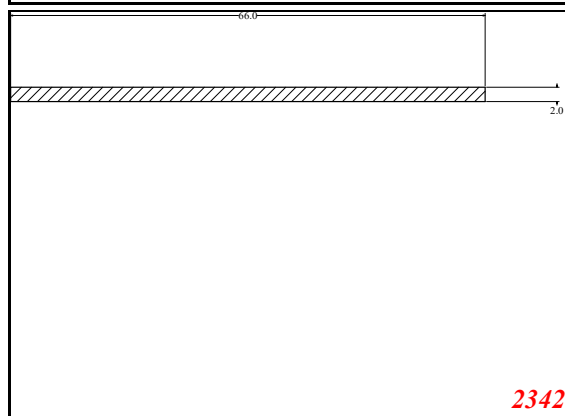
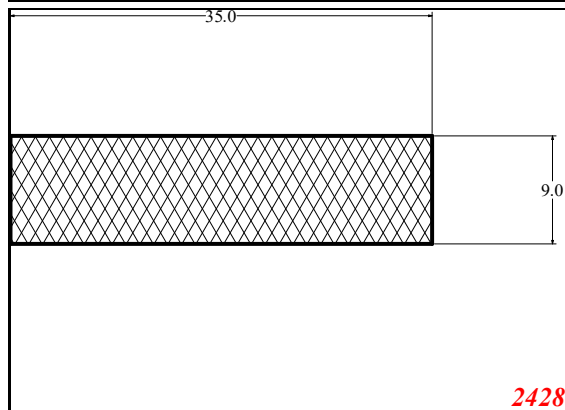
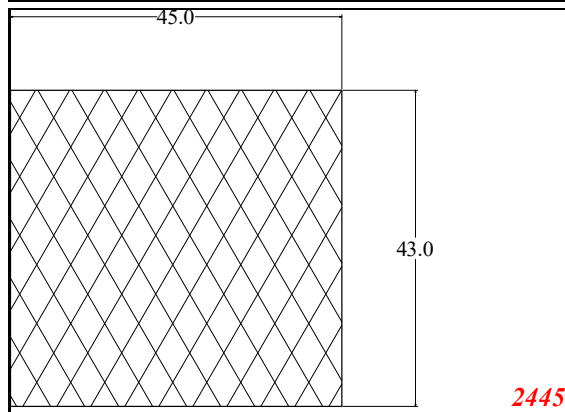
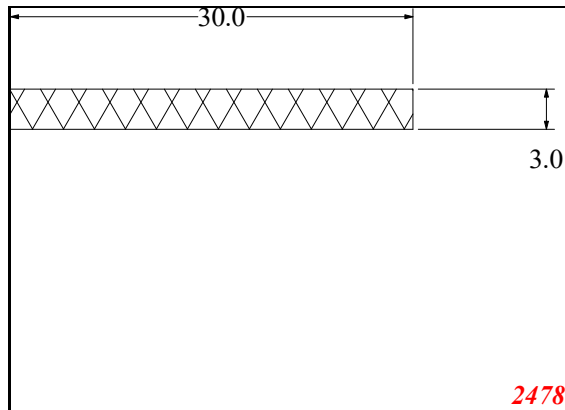
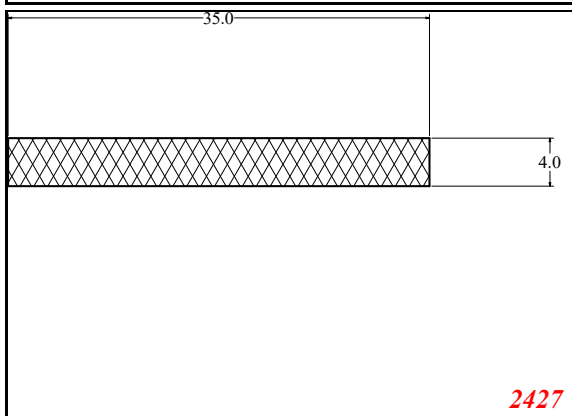
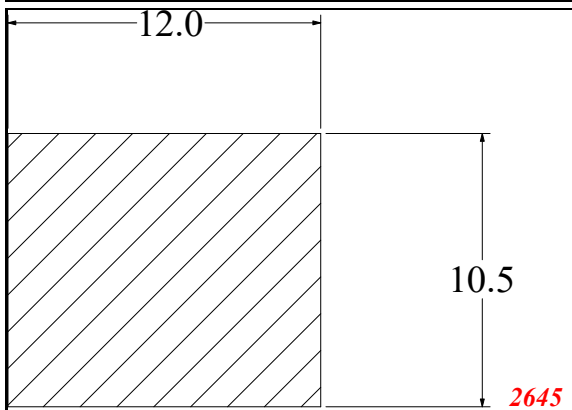
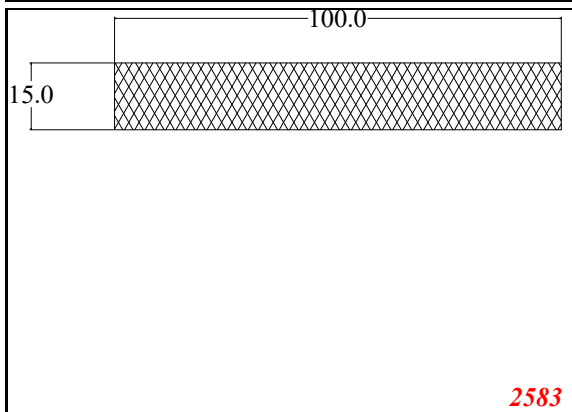
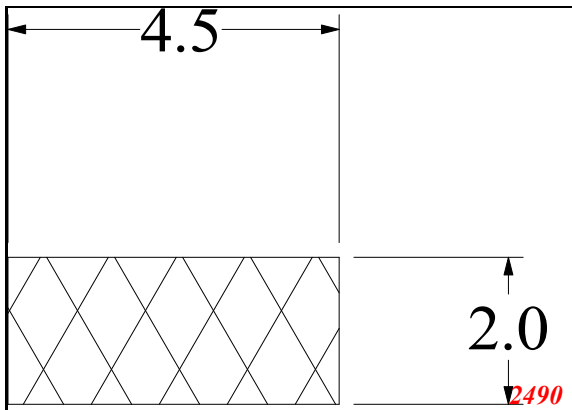
Strip



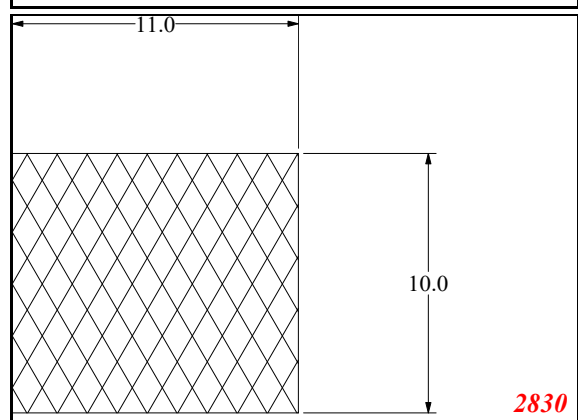
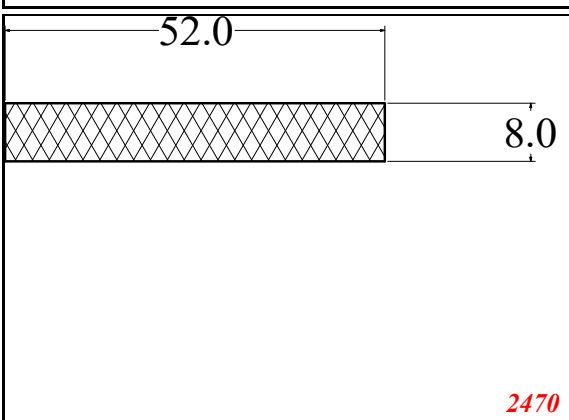
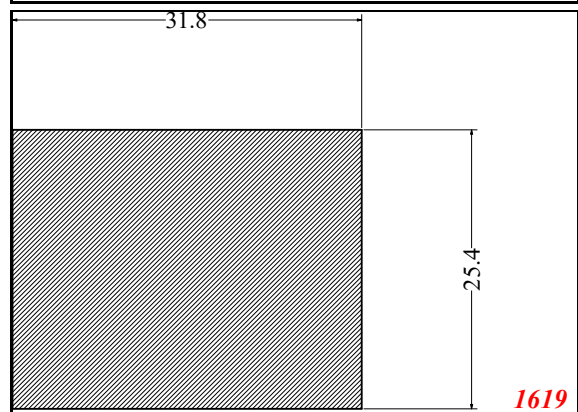
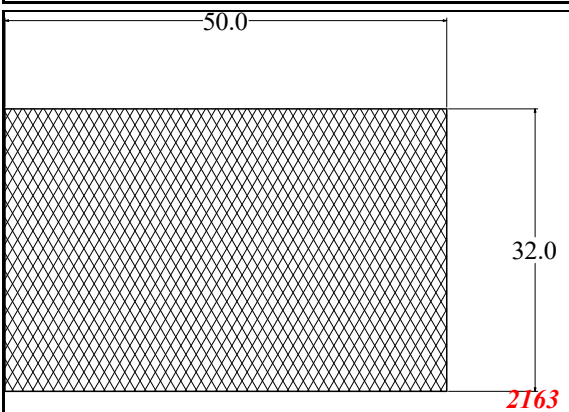
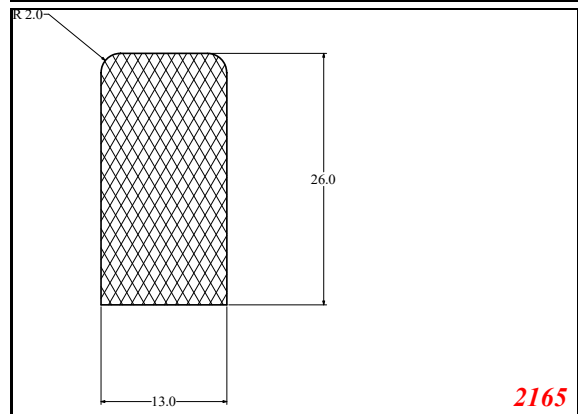
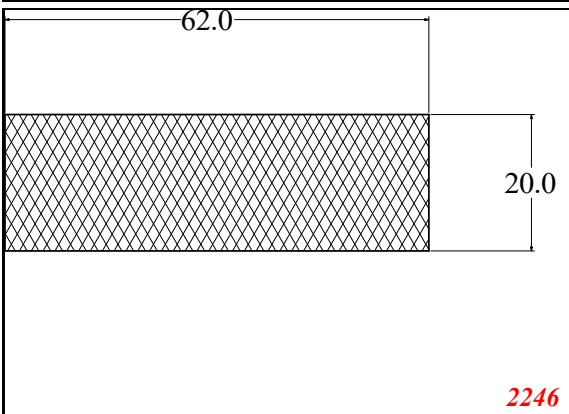
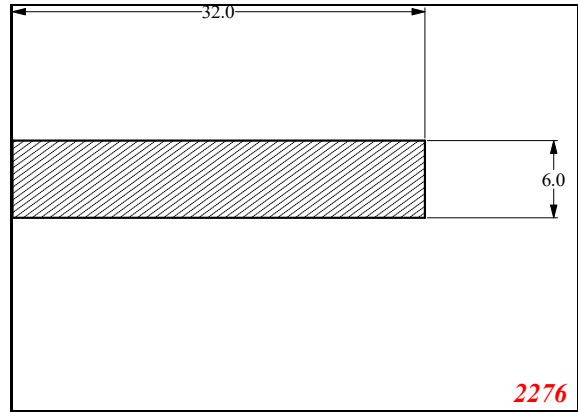
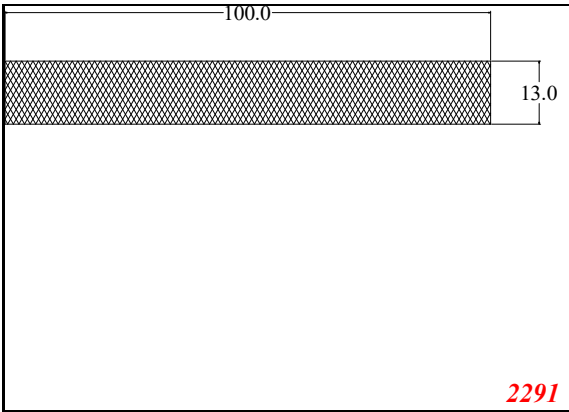
Strip



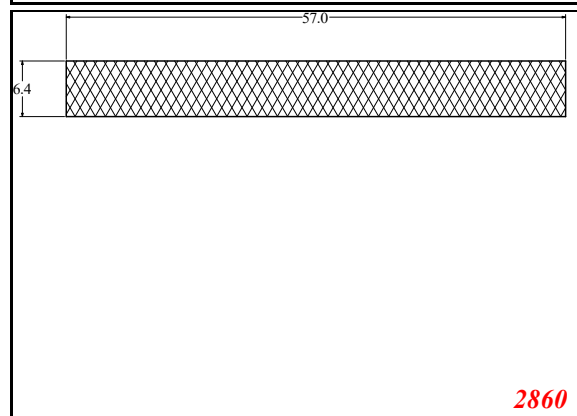
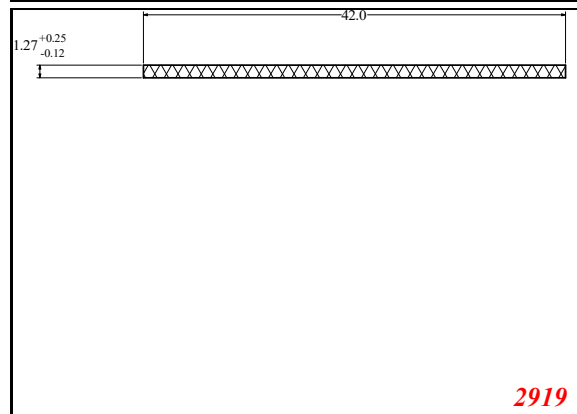
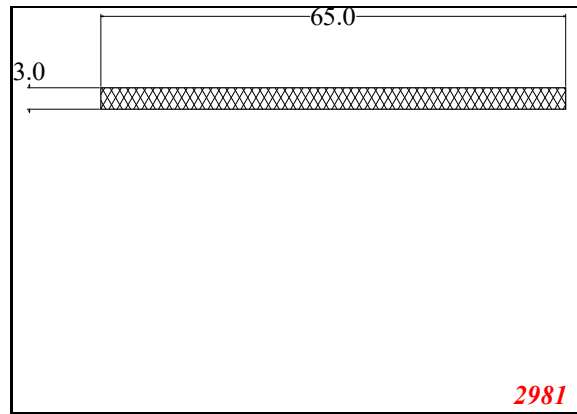
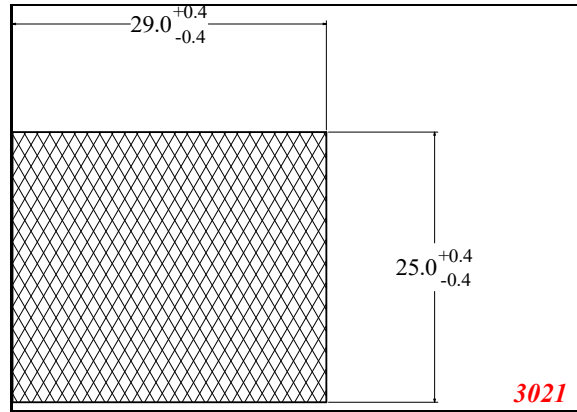
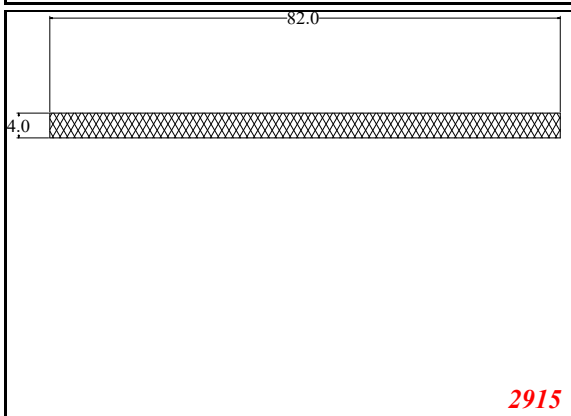
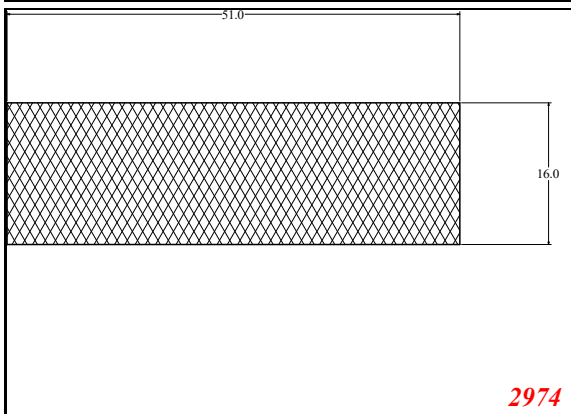
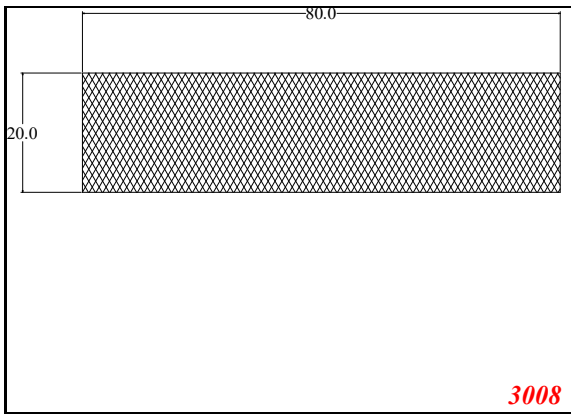
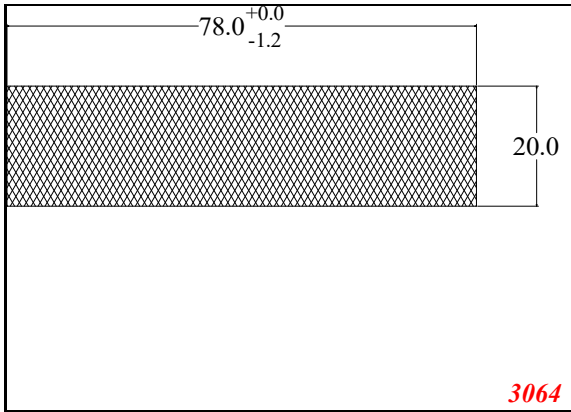
*Strip*



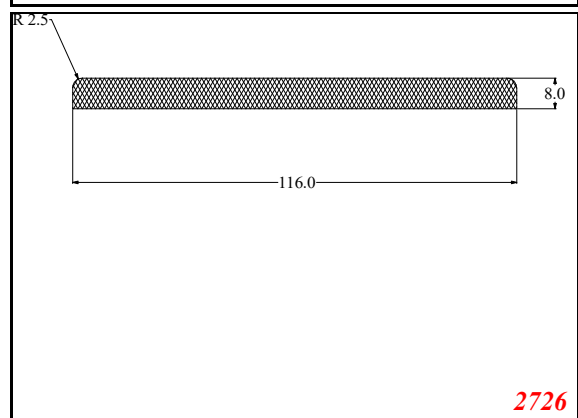
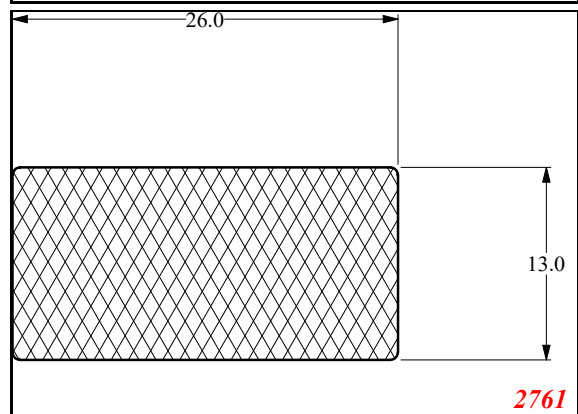
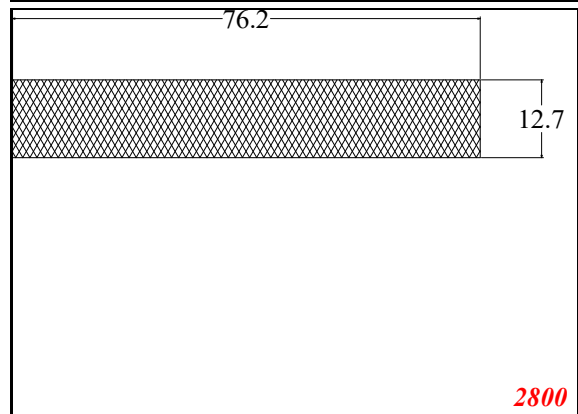
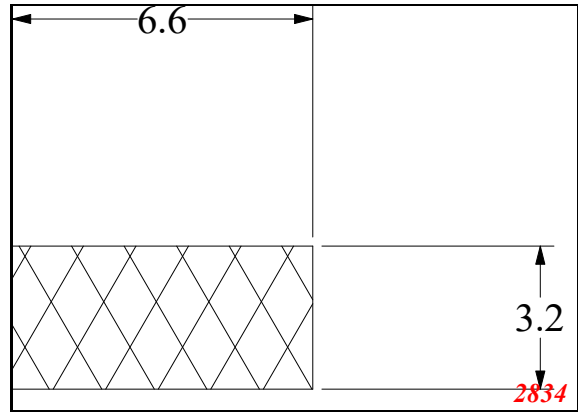
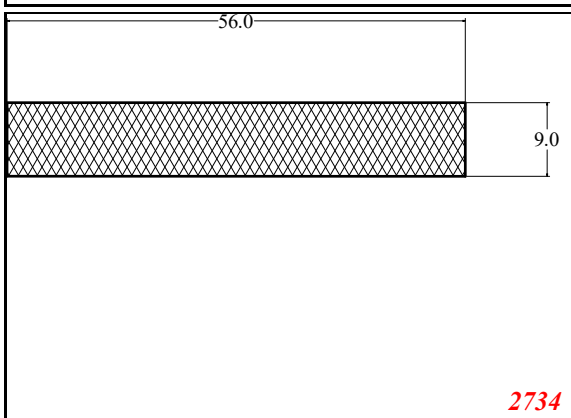
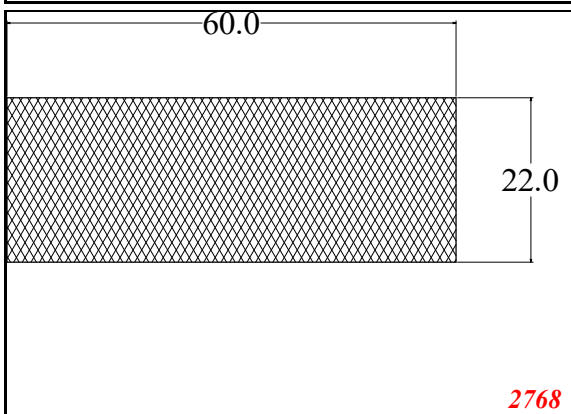
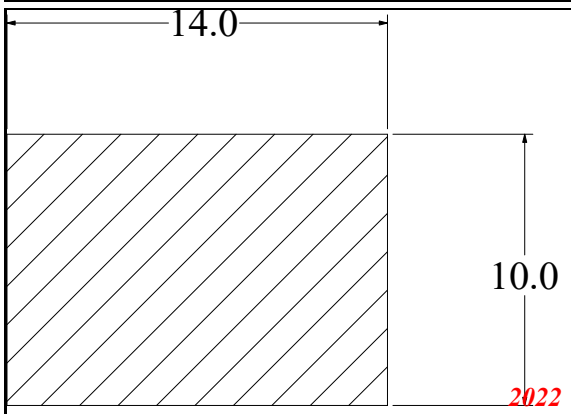
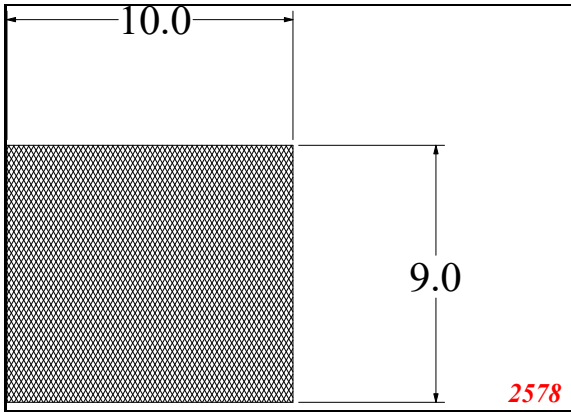
Strip



Strip

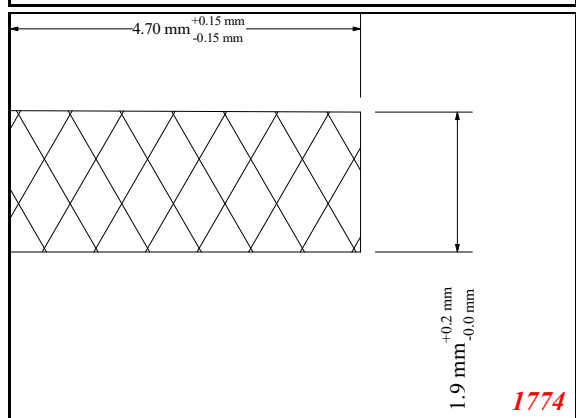
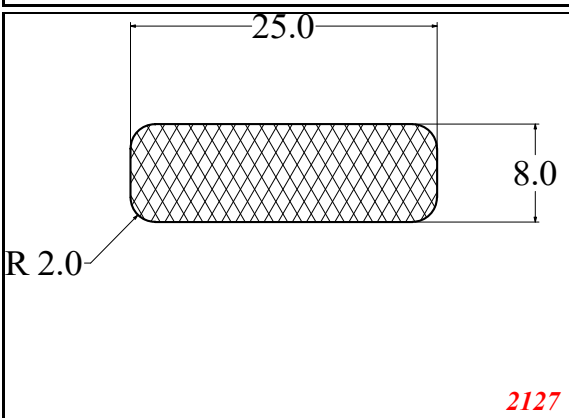
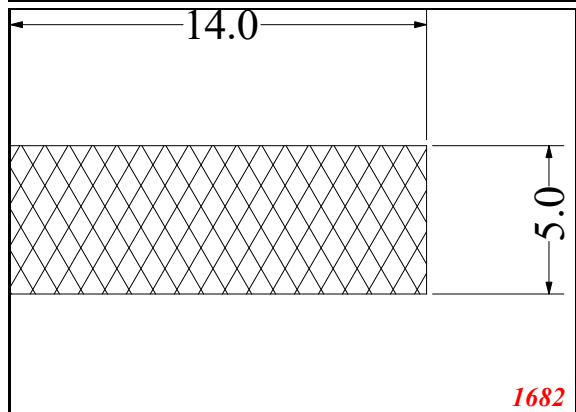
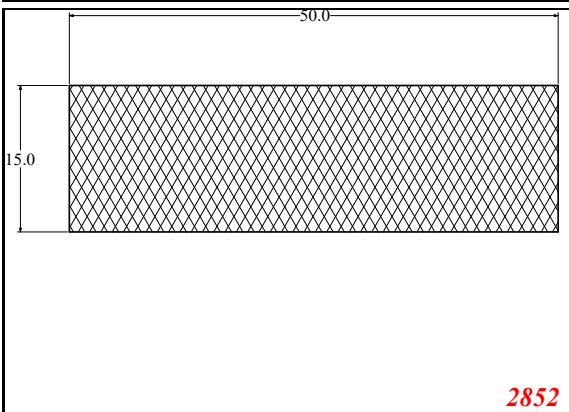
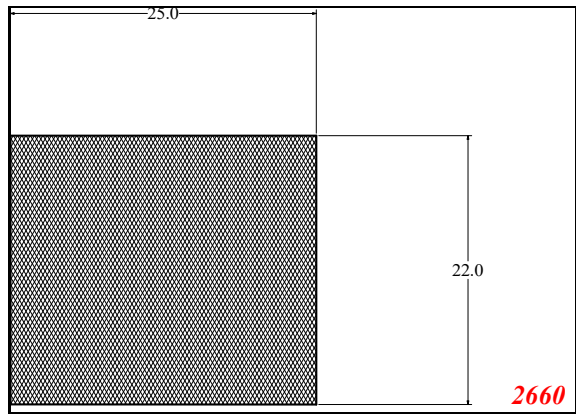
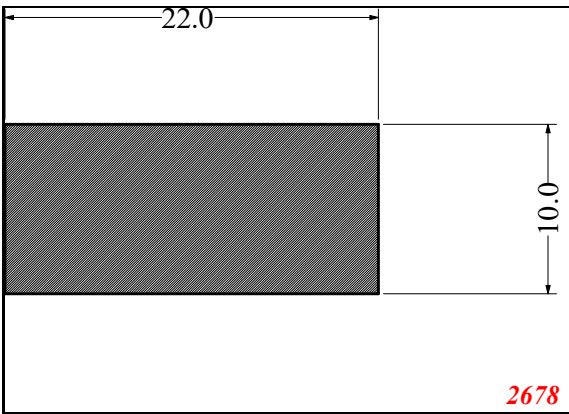
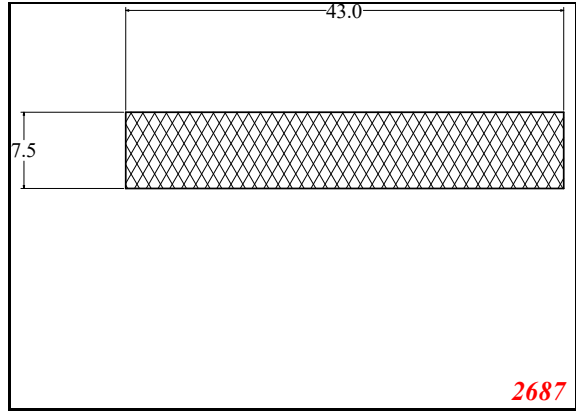
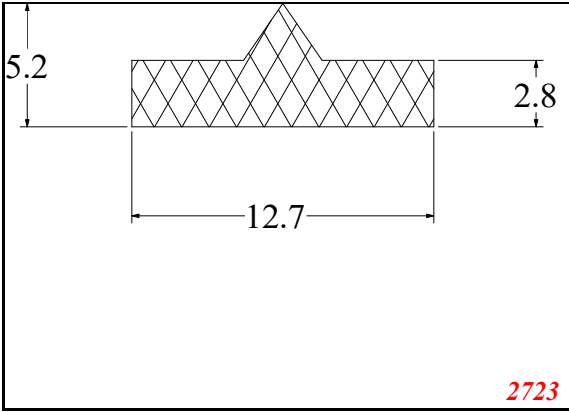


*Strip*

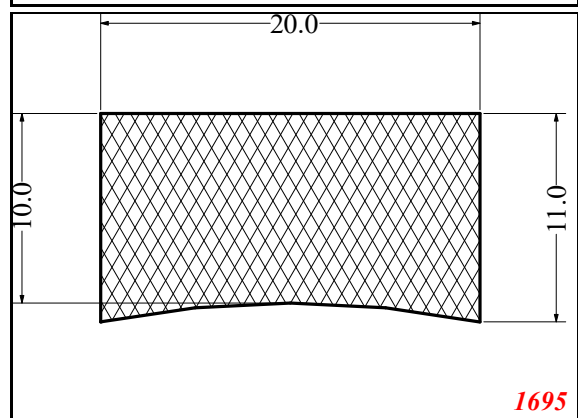
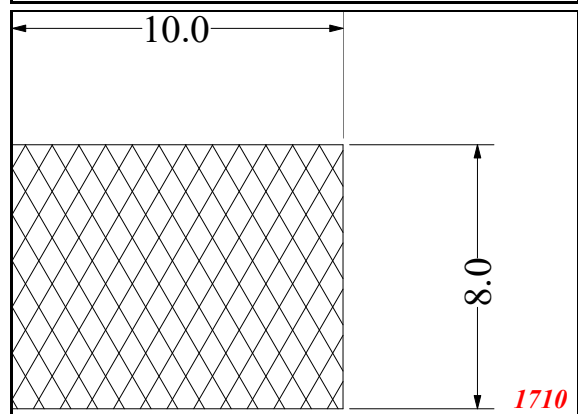
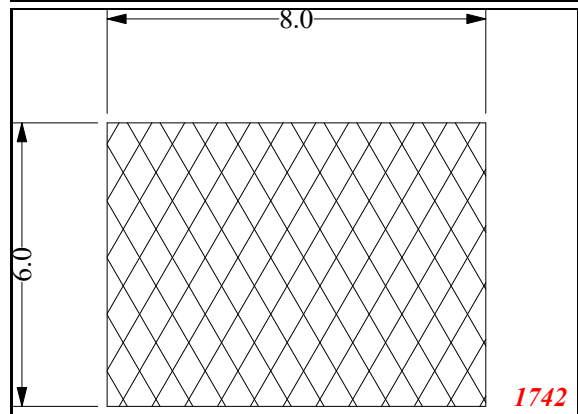
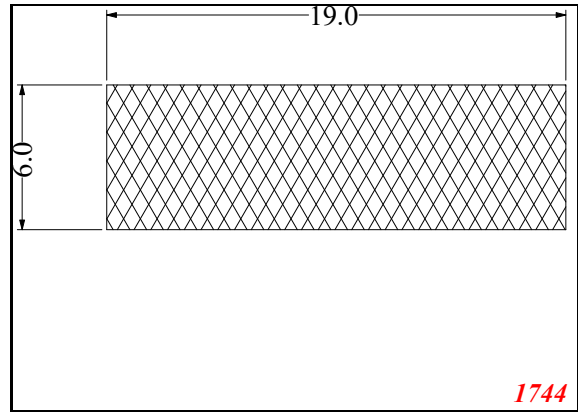
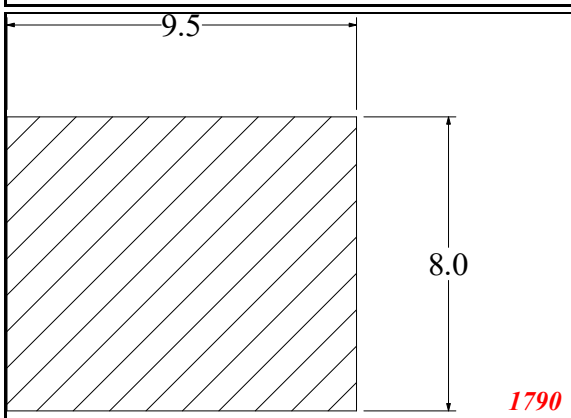
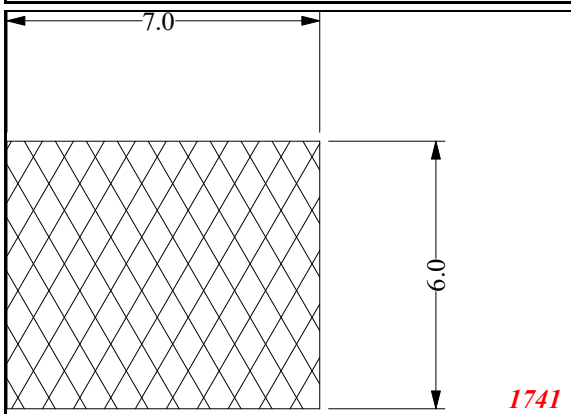
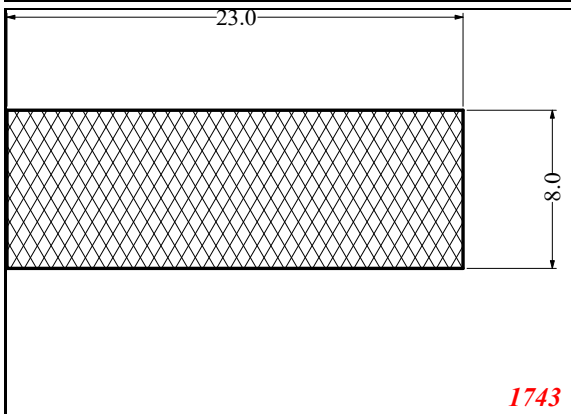
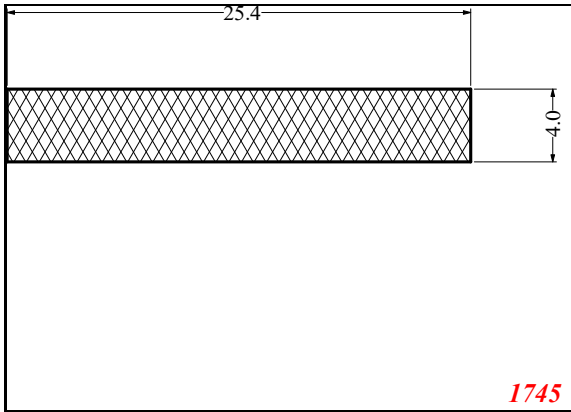




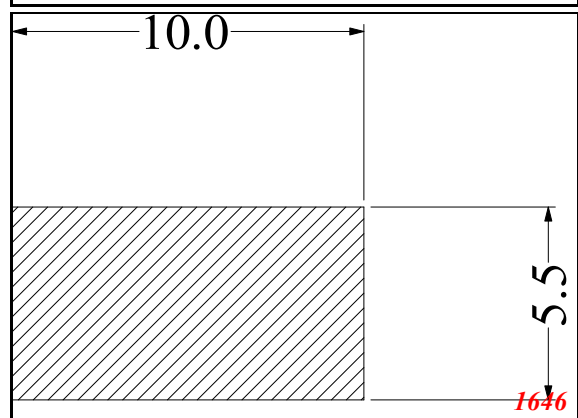
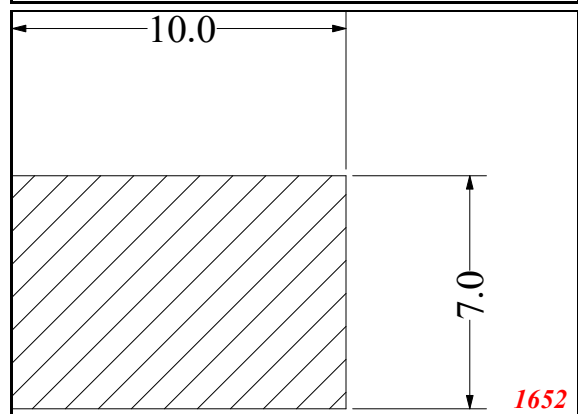
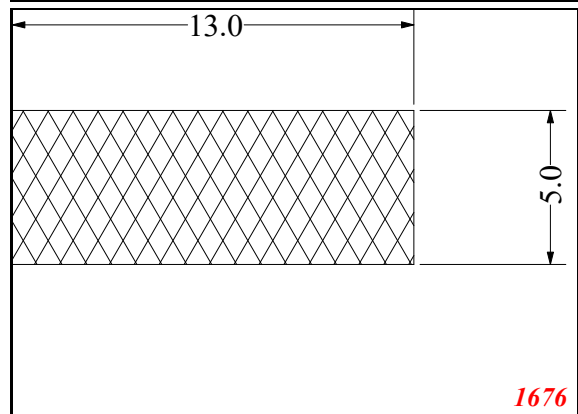
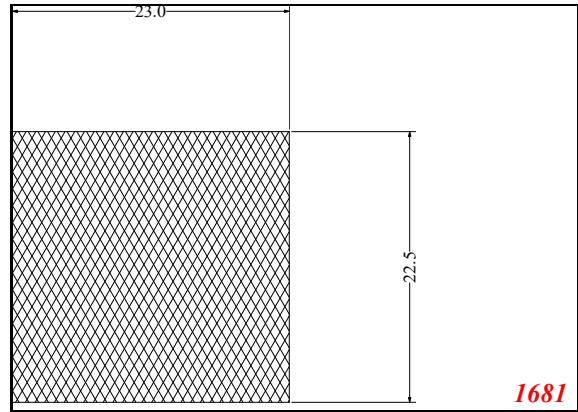
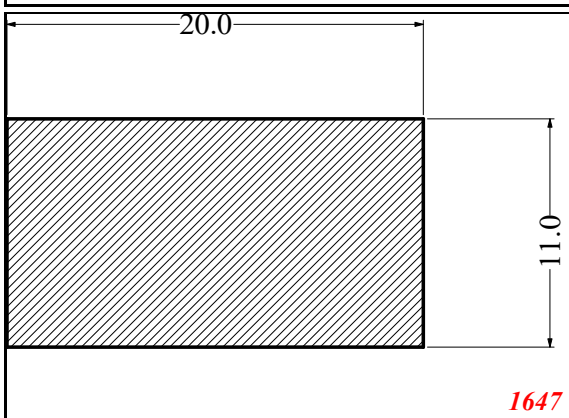
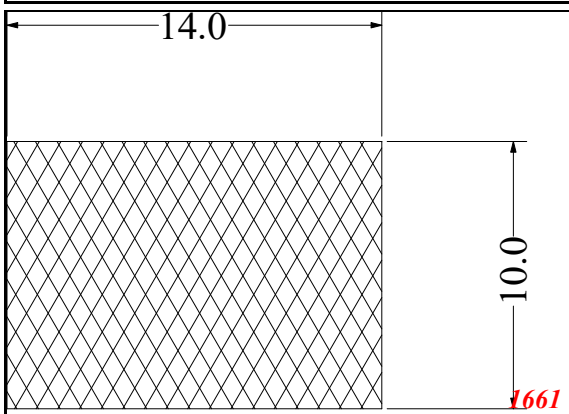
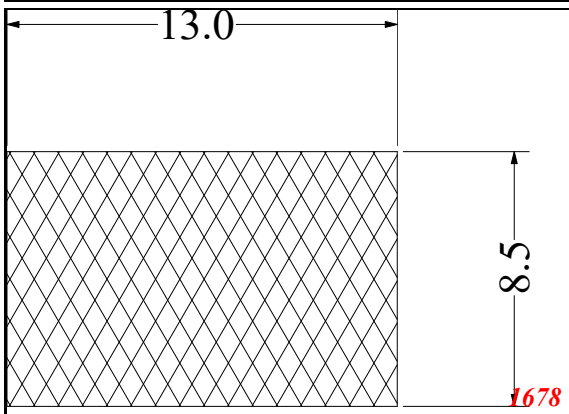
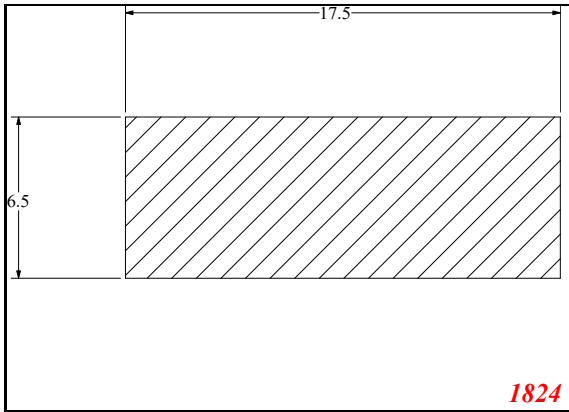
Strip



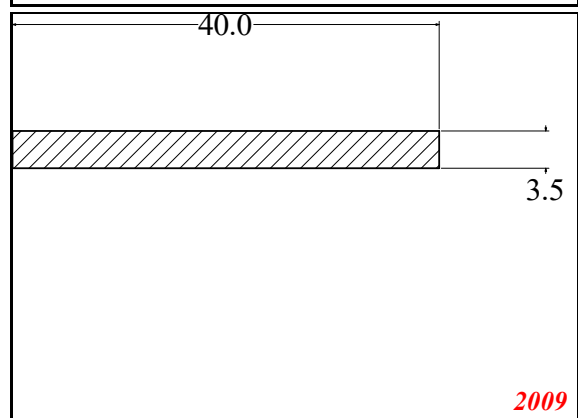
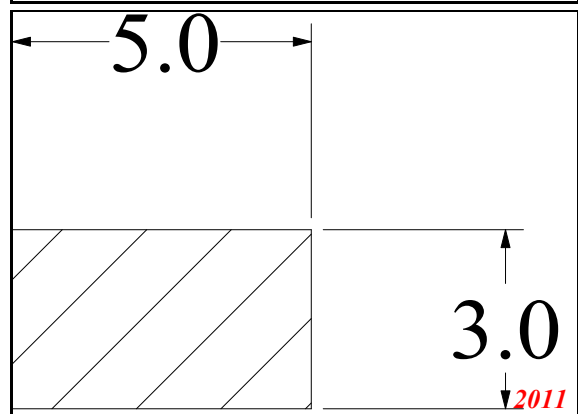
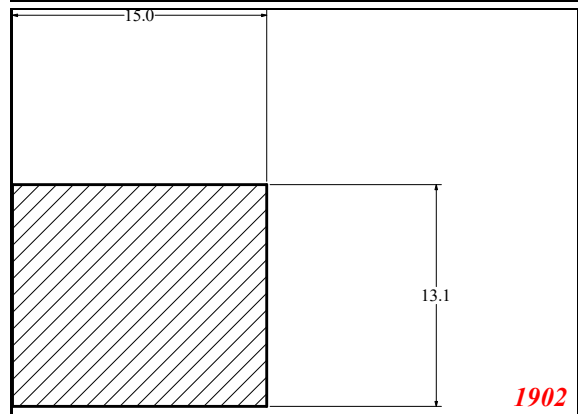
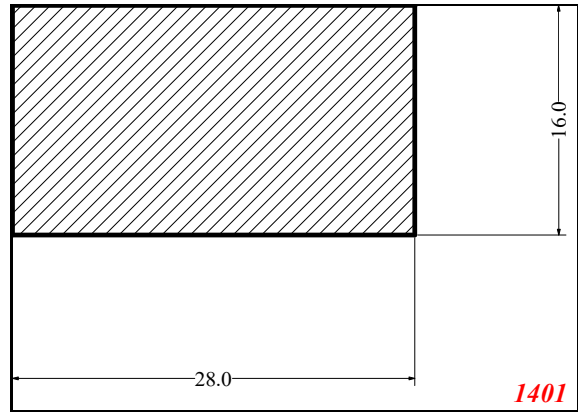
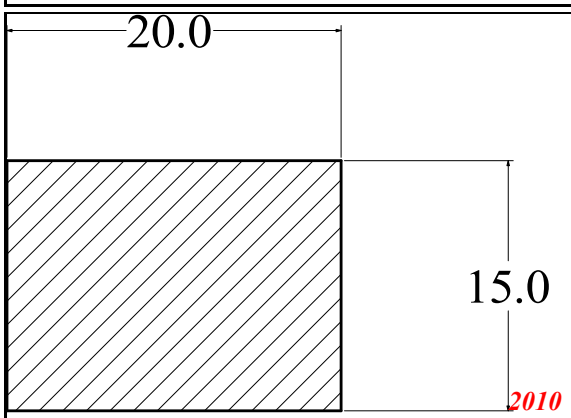
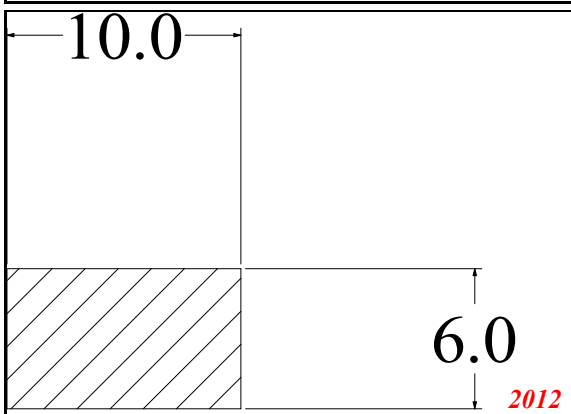
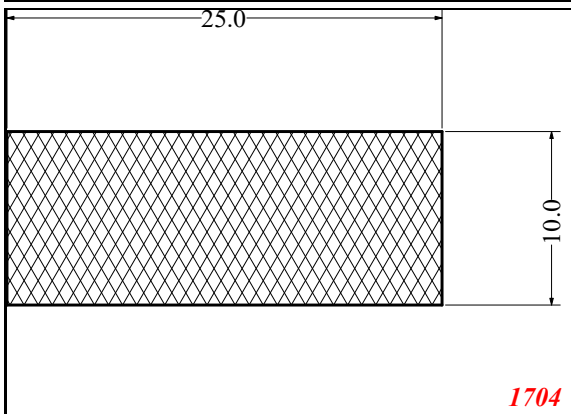
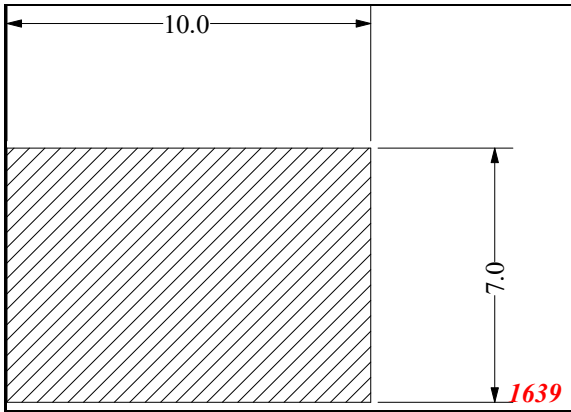
Strip



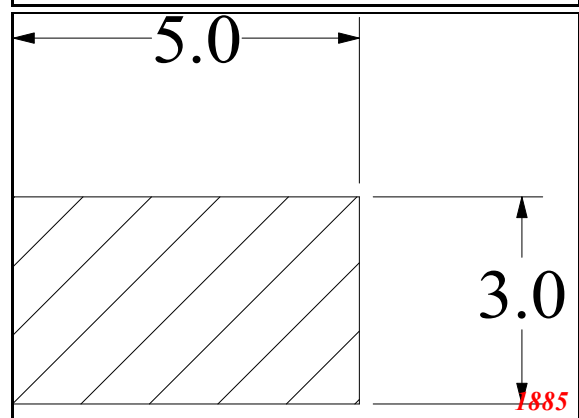
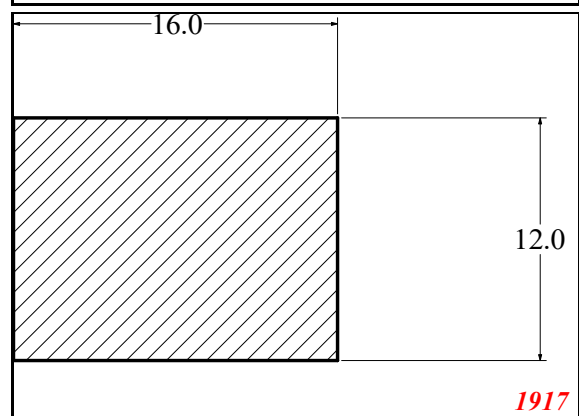
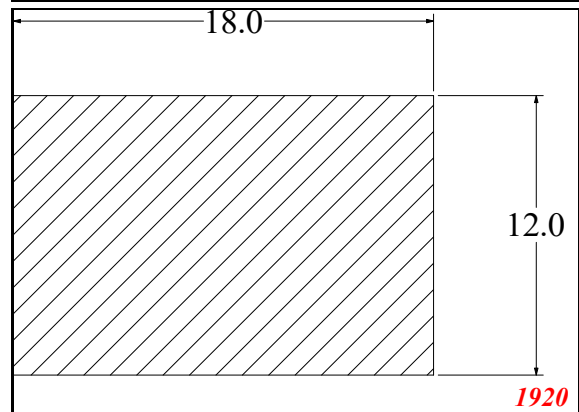
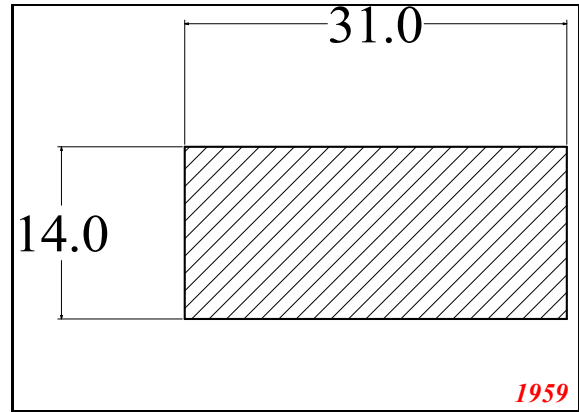
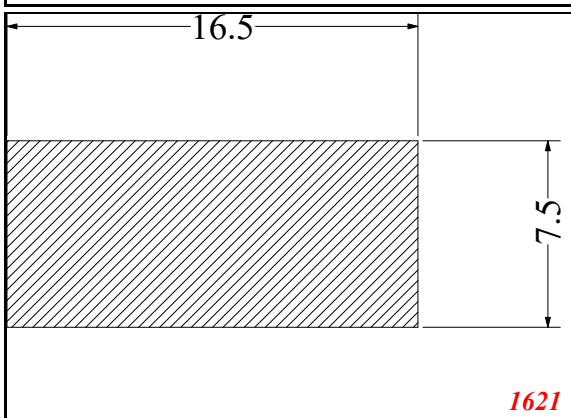
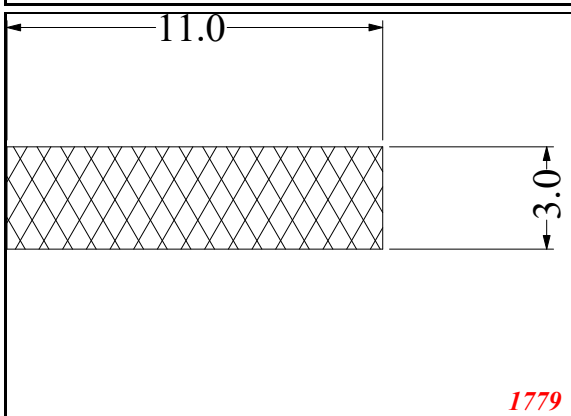
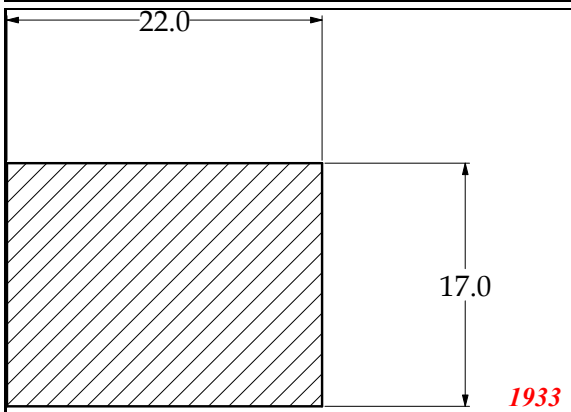
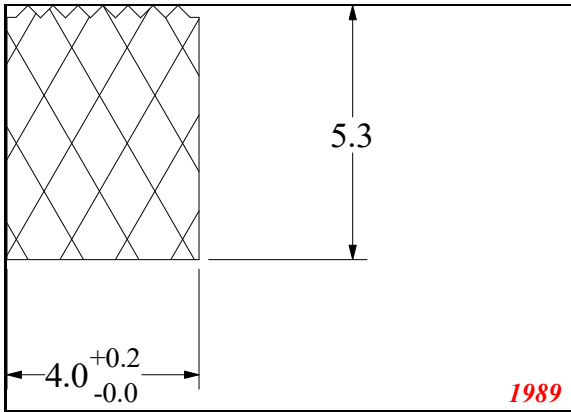
*Strip*



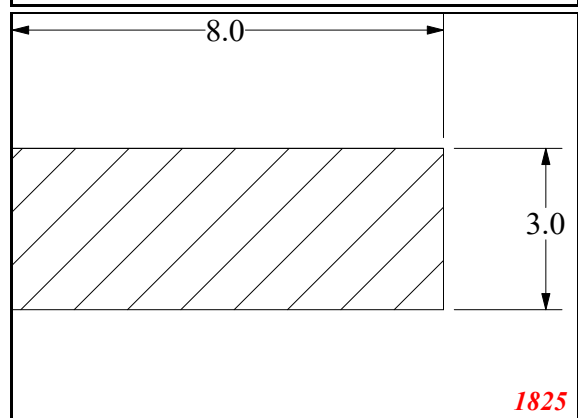
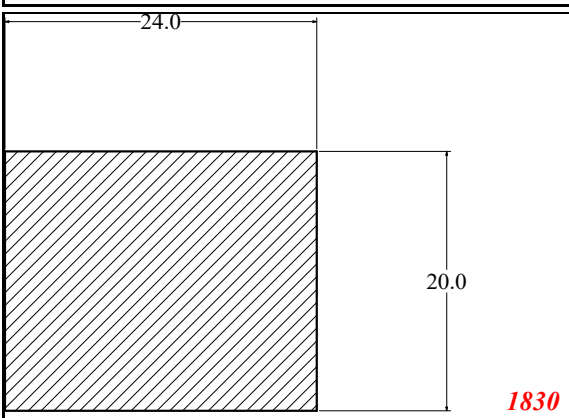
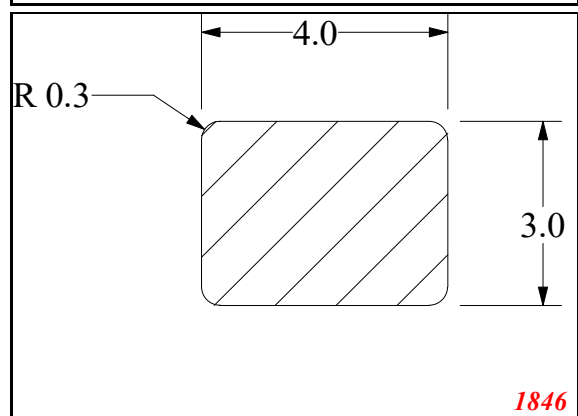
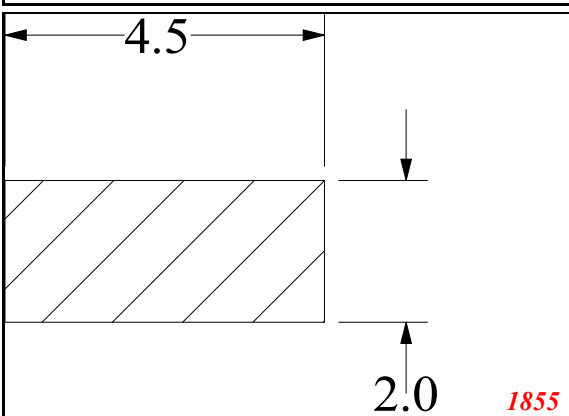
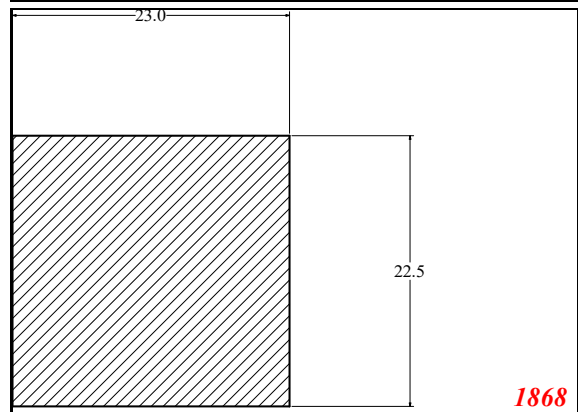
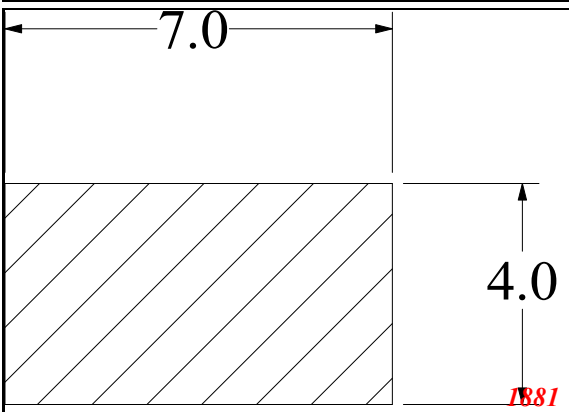
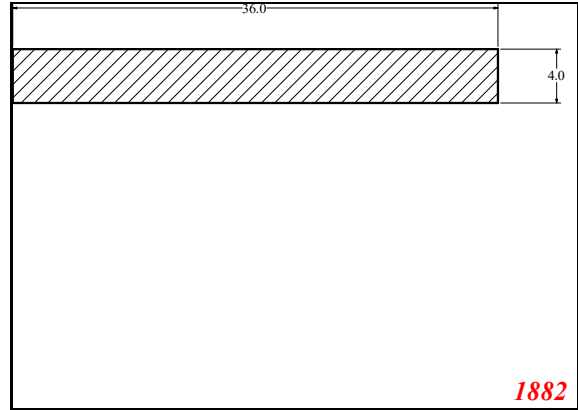
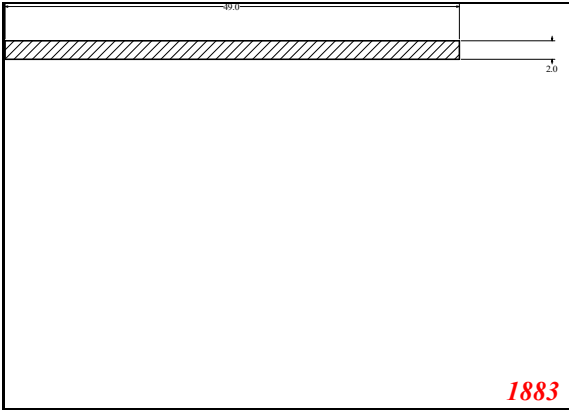
Strip



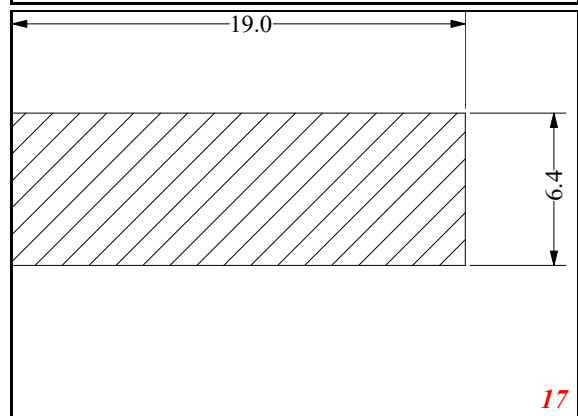
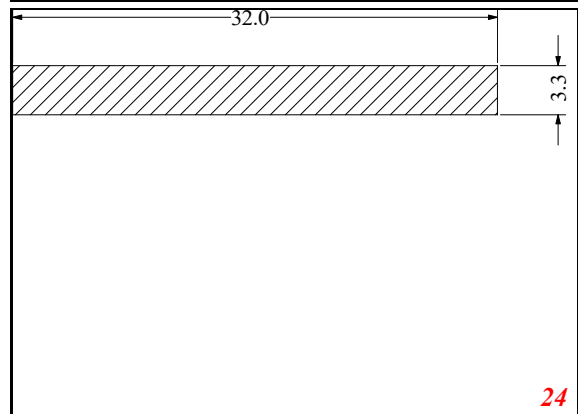
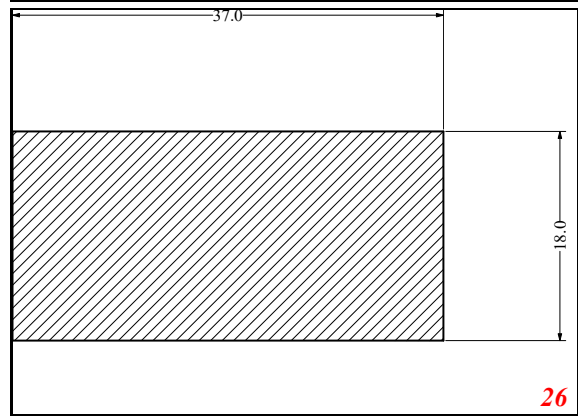
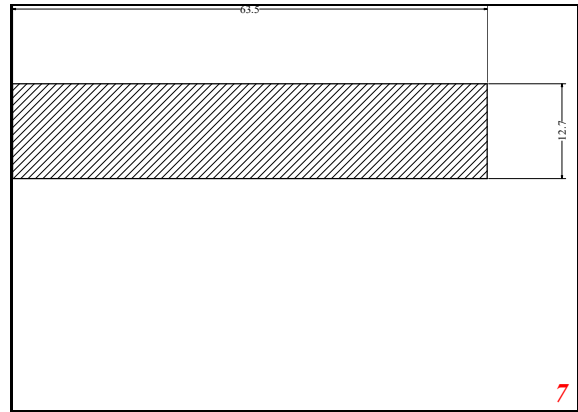
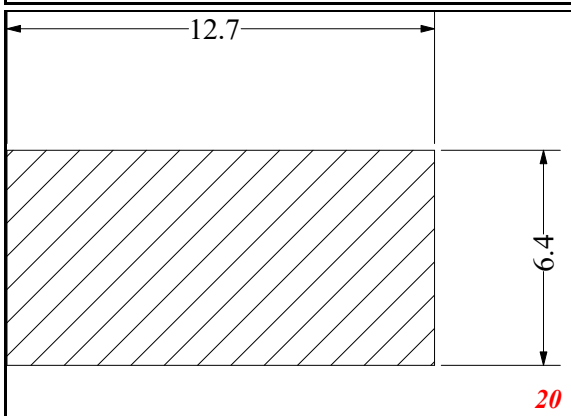
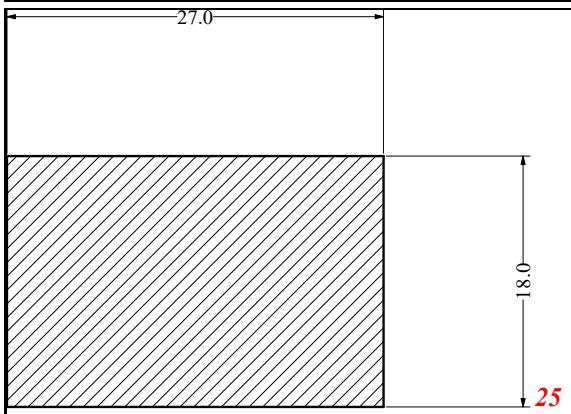
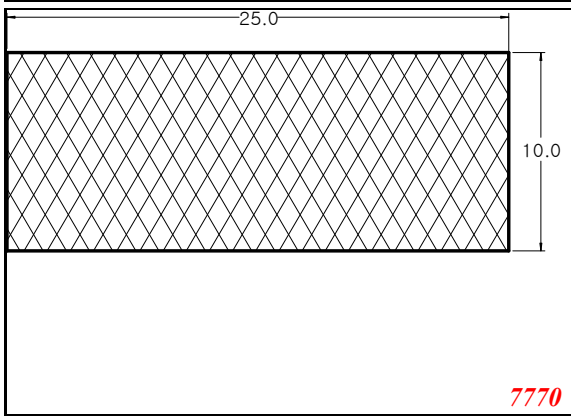
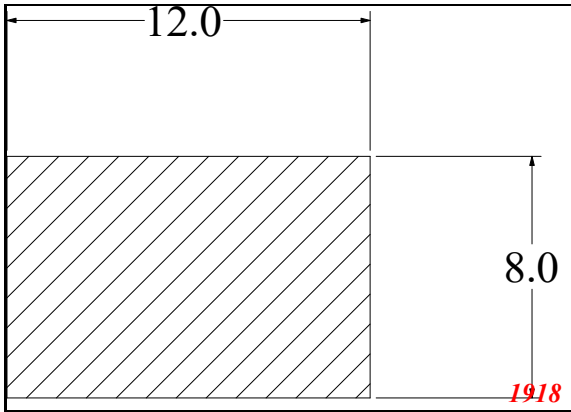
Strip



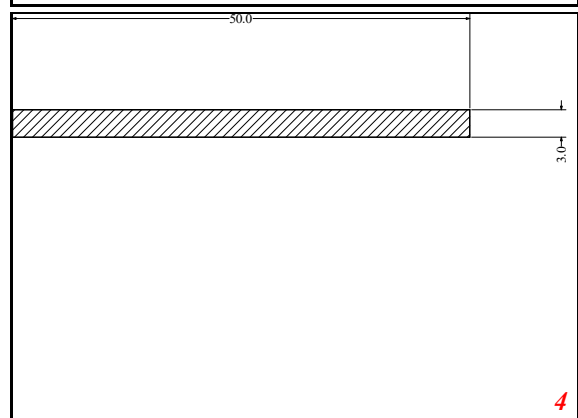
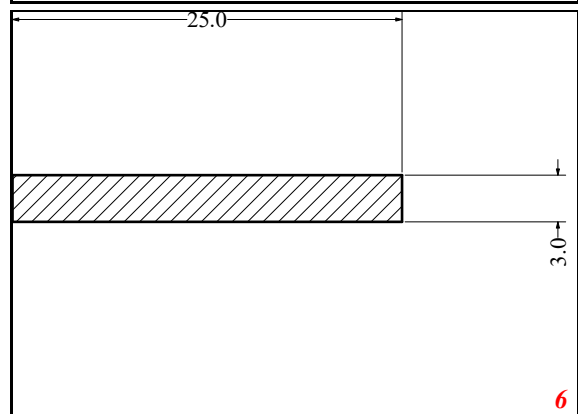
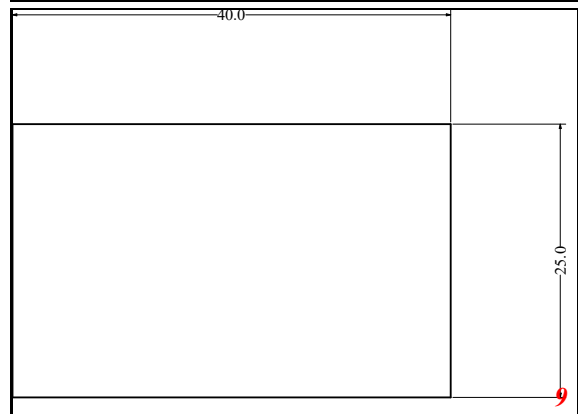
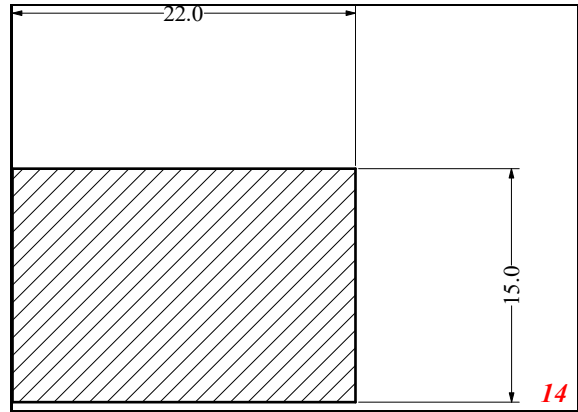
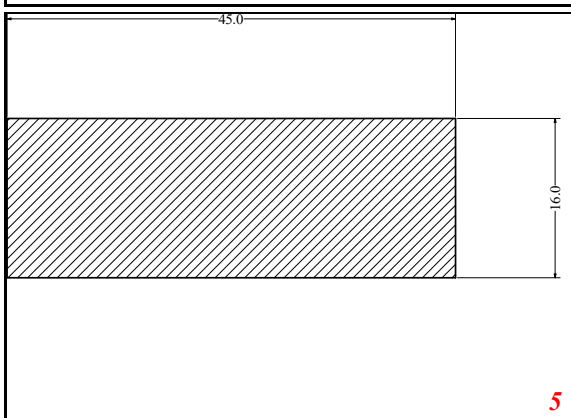
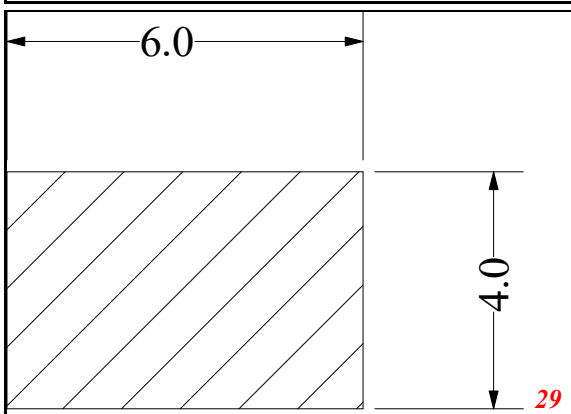
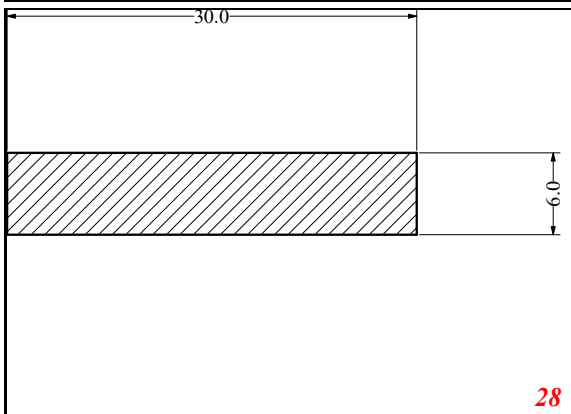
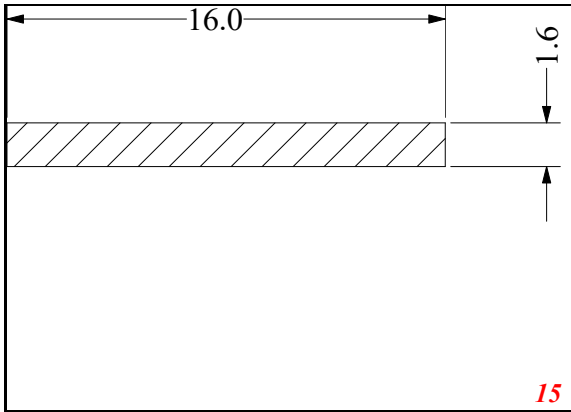
Strip



Strip

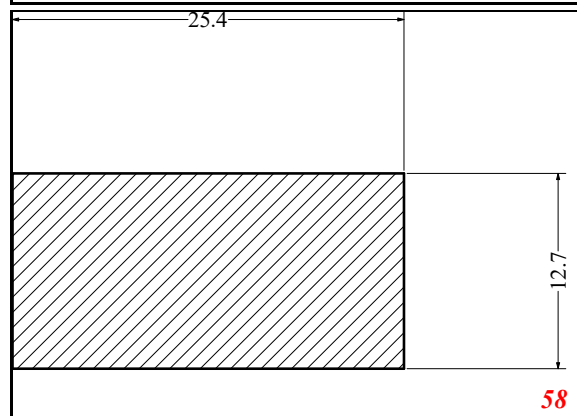
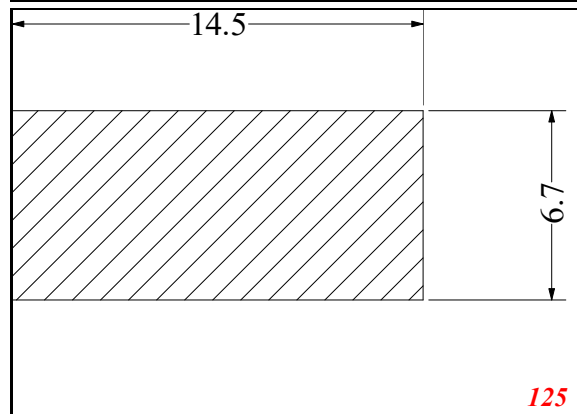
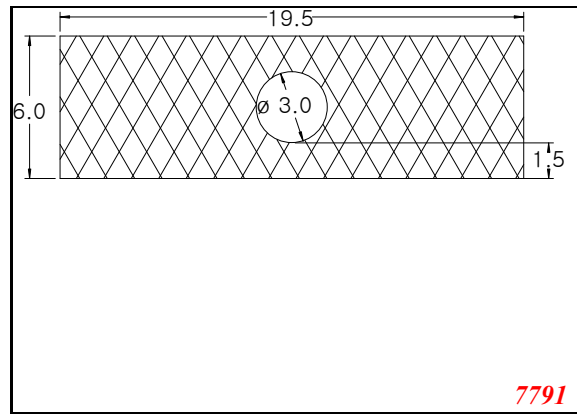
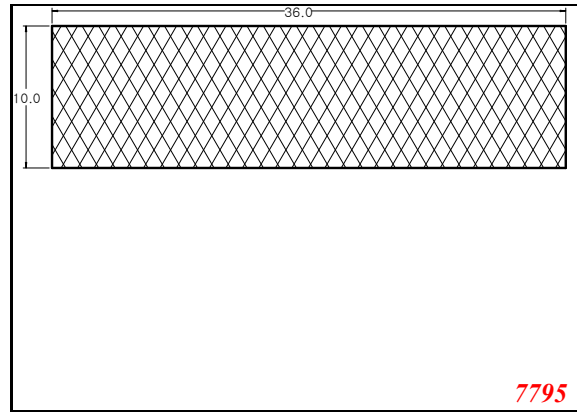
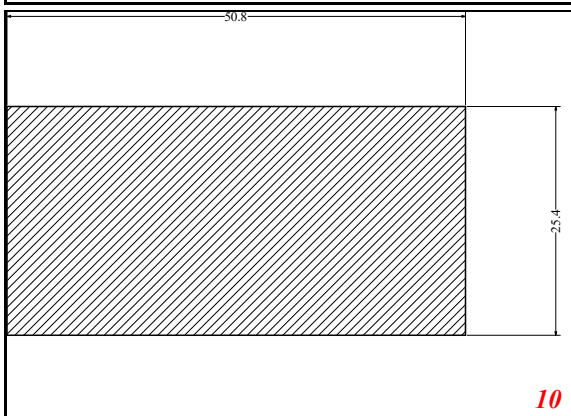
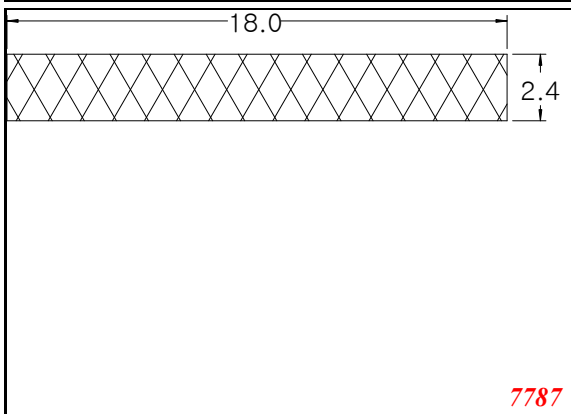
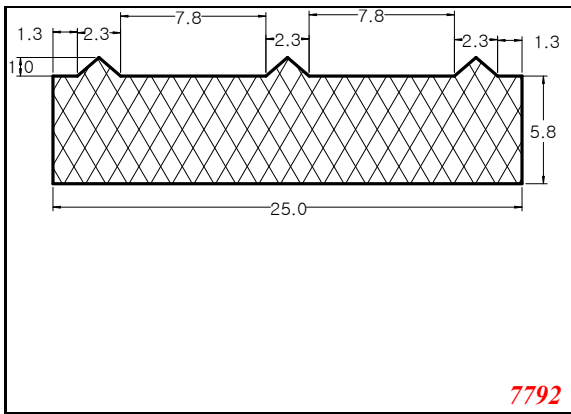
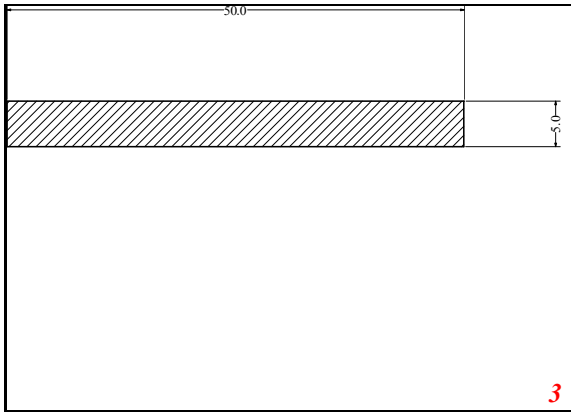


Strip

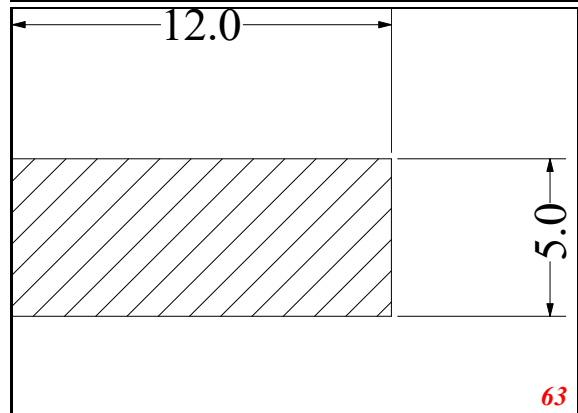
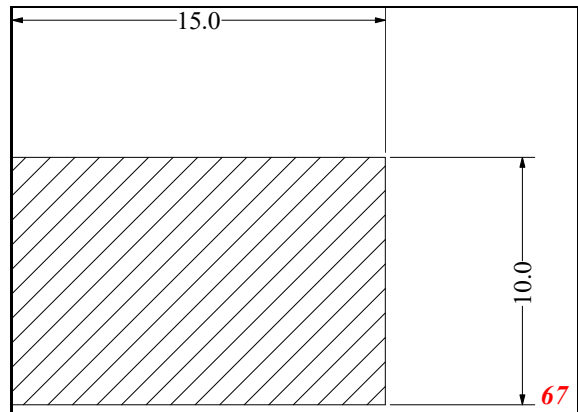
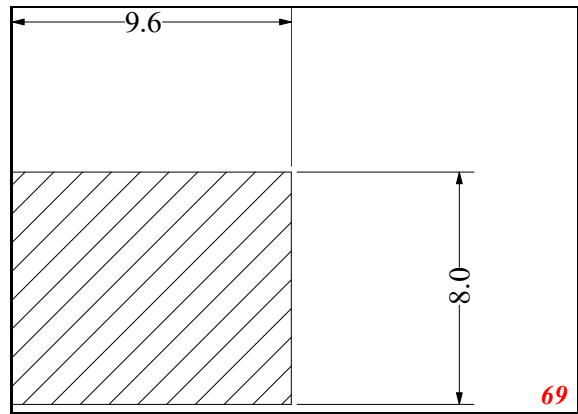
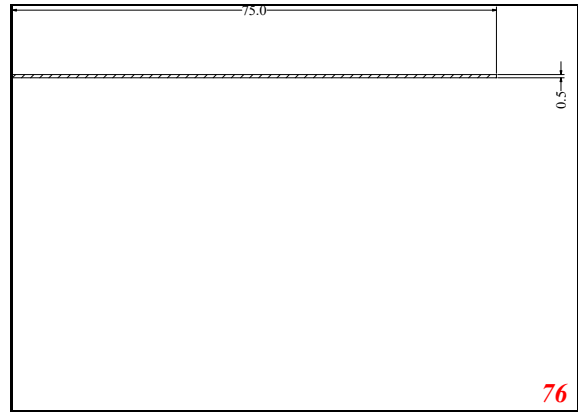
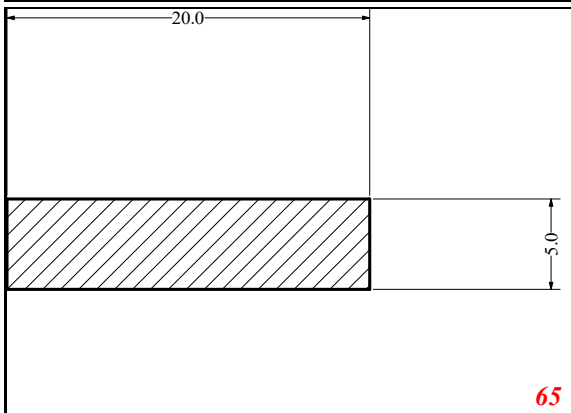
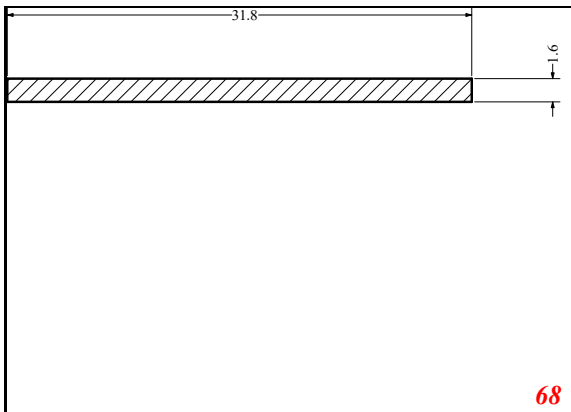
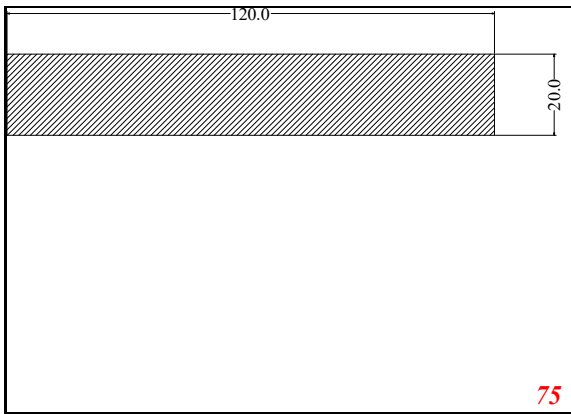
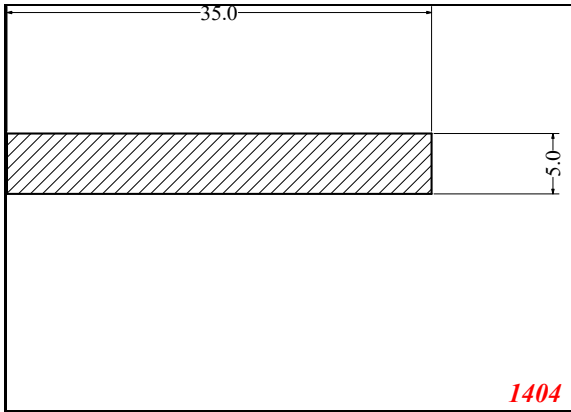




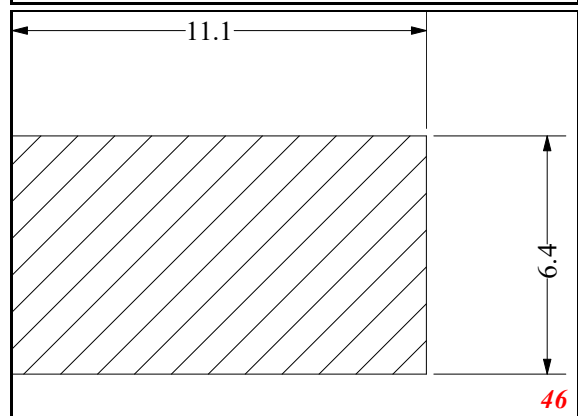
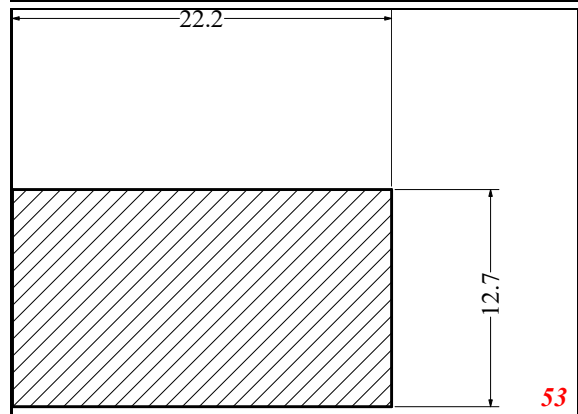
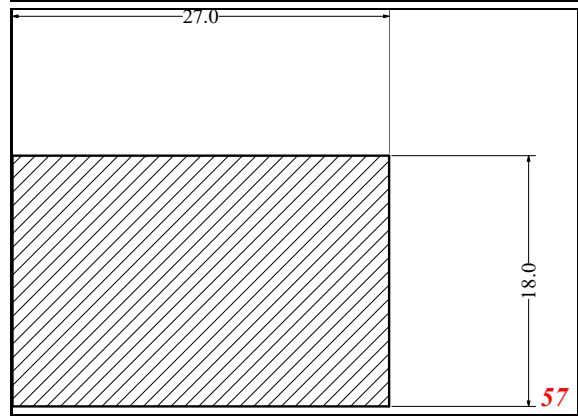
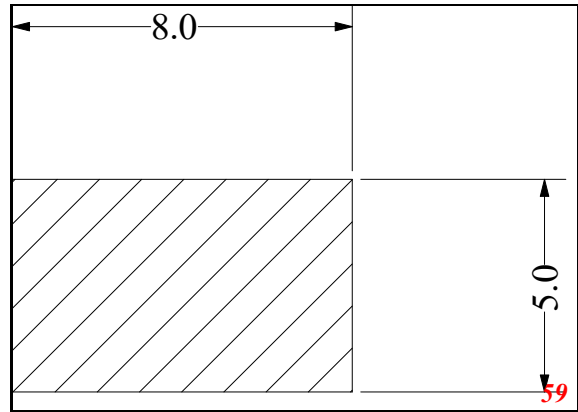
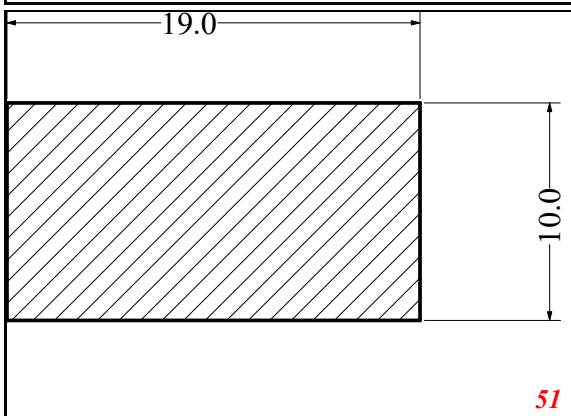
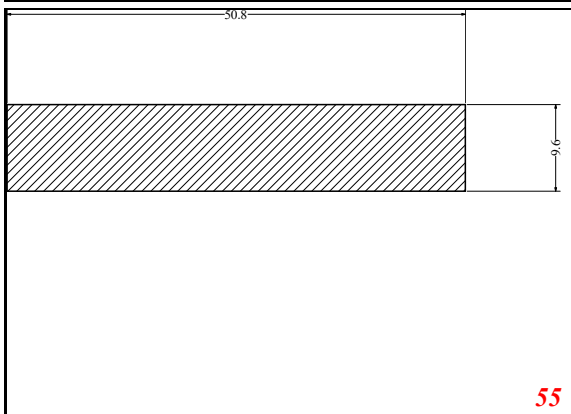
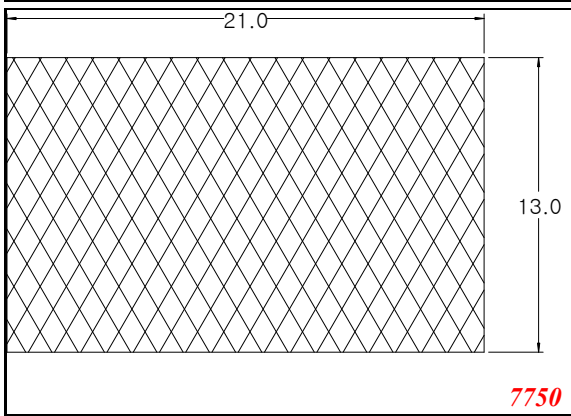
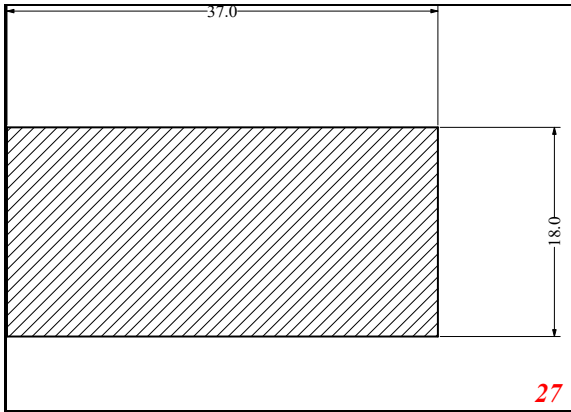
Strip



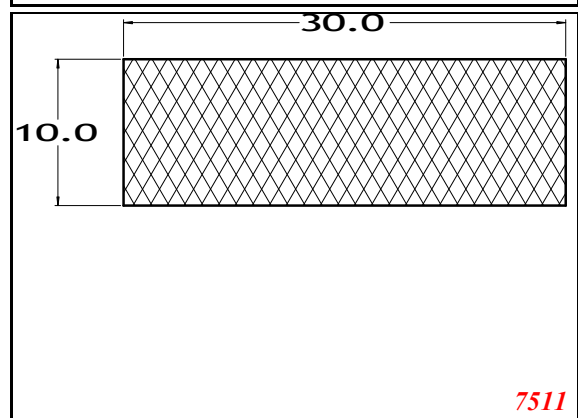
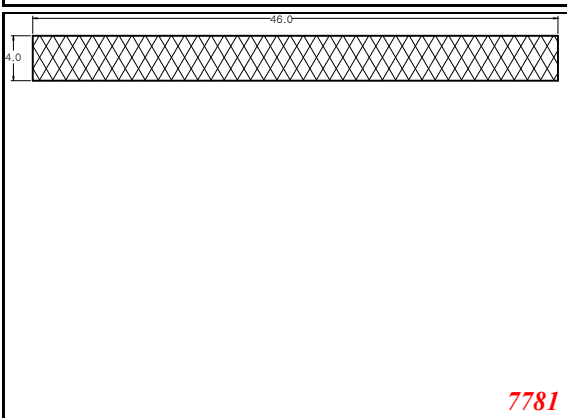
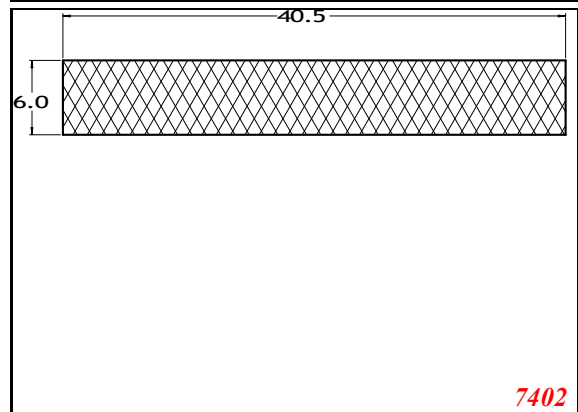
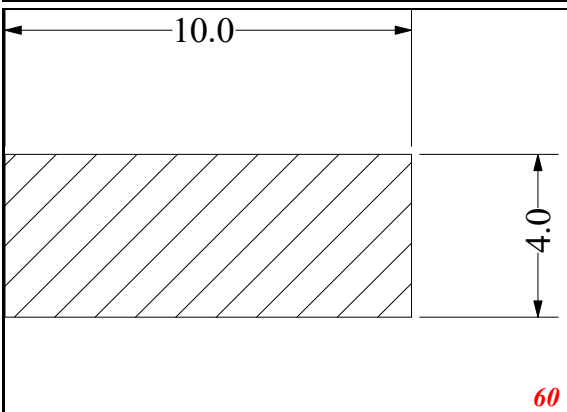
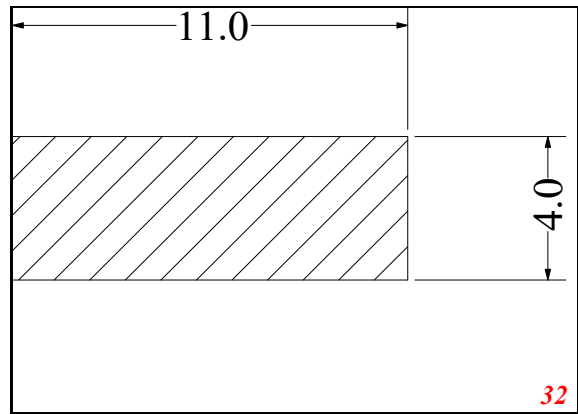
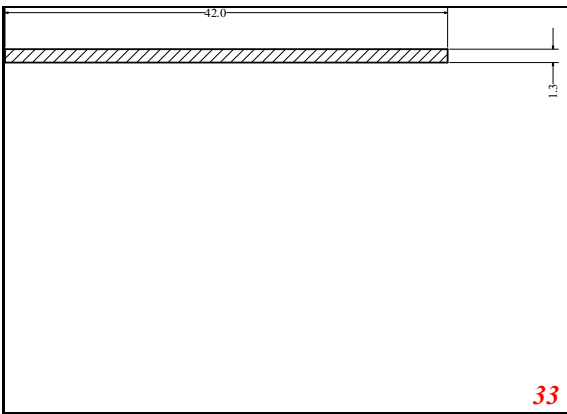
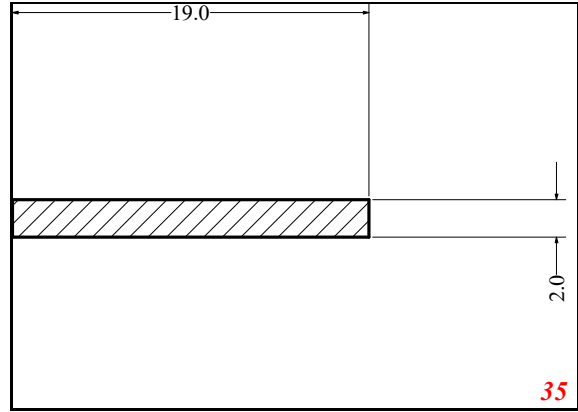
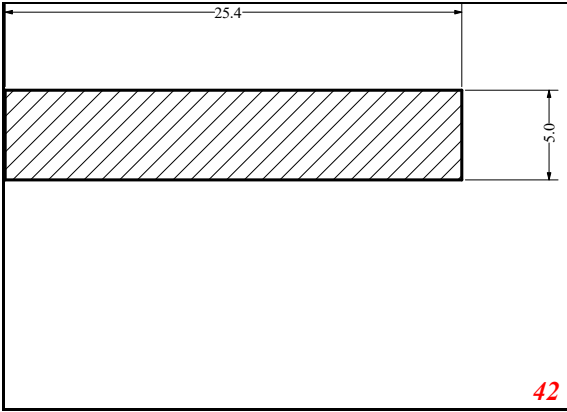
Strip



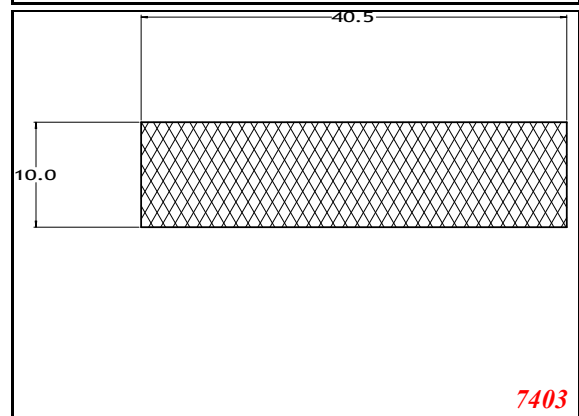
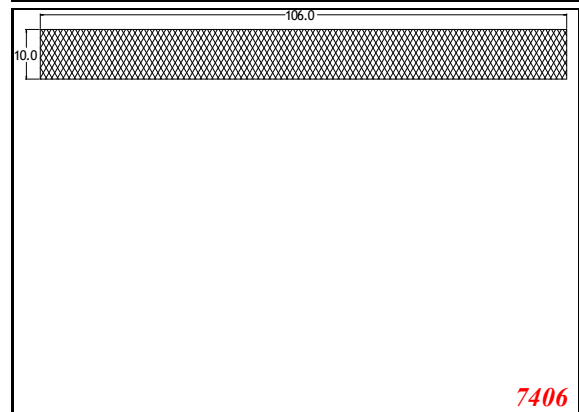
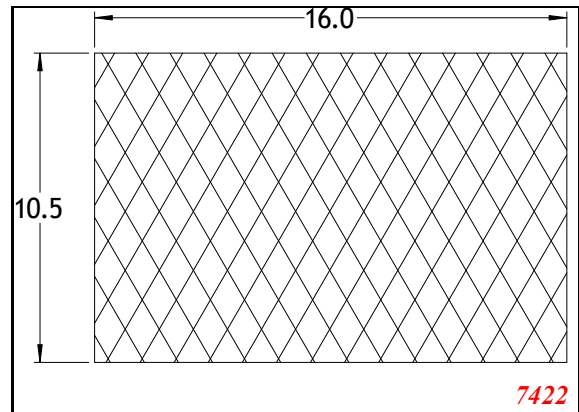
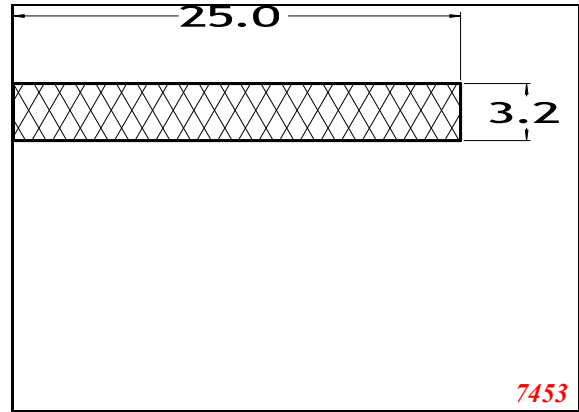
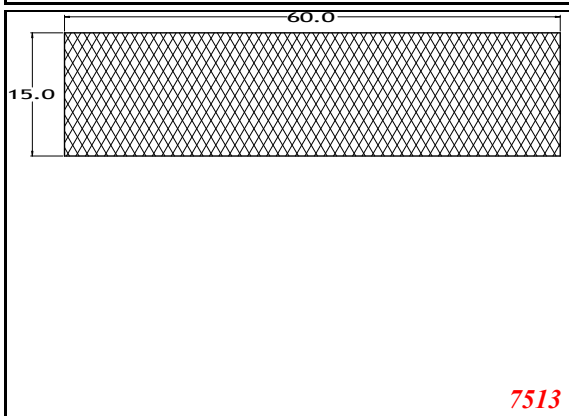
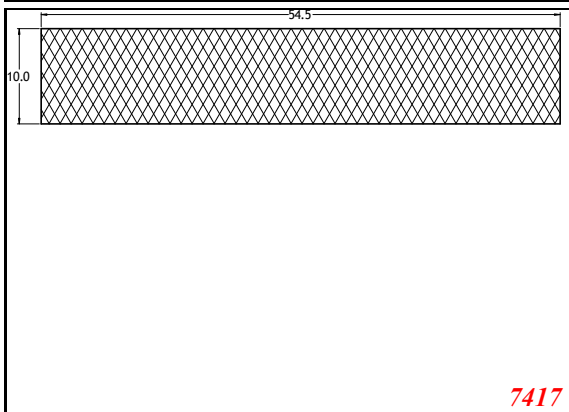
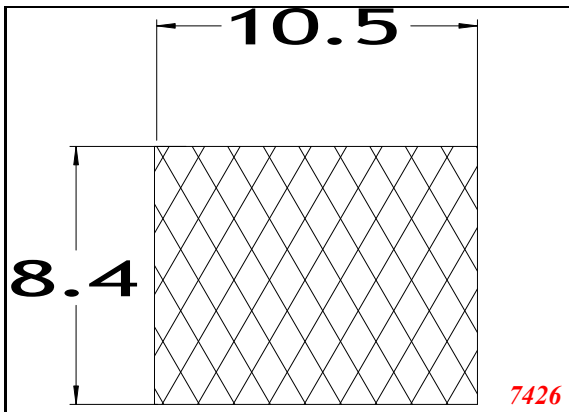
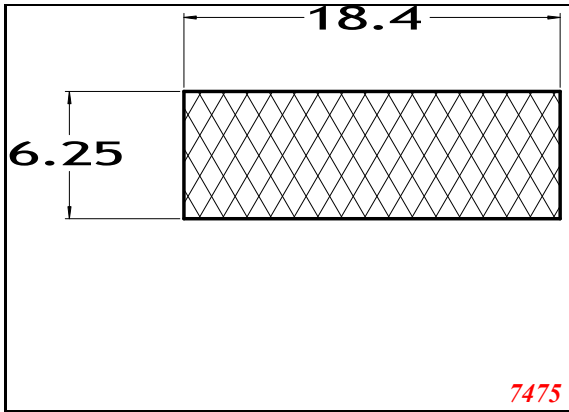
Strip



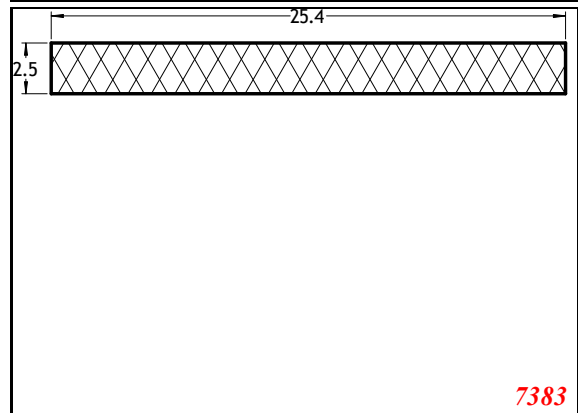
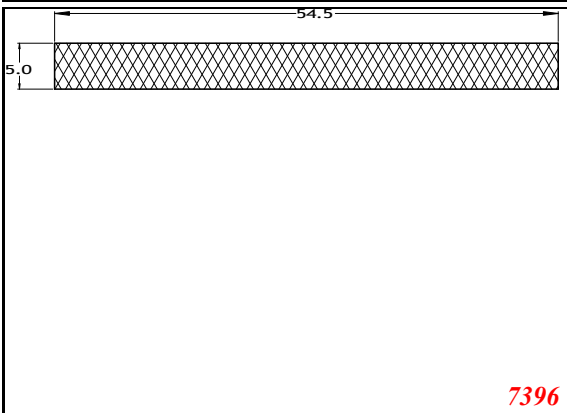
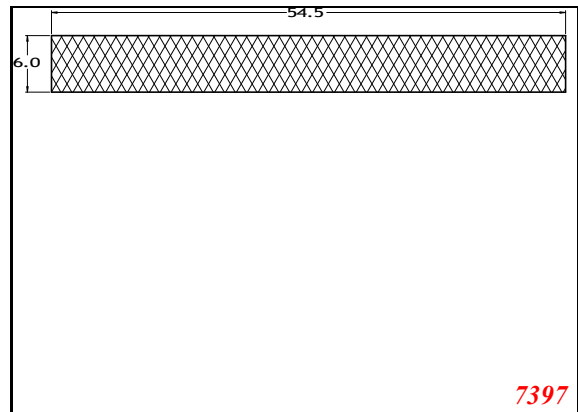
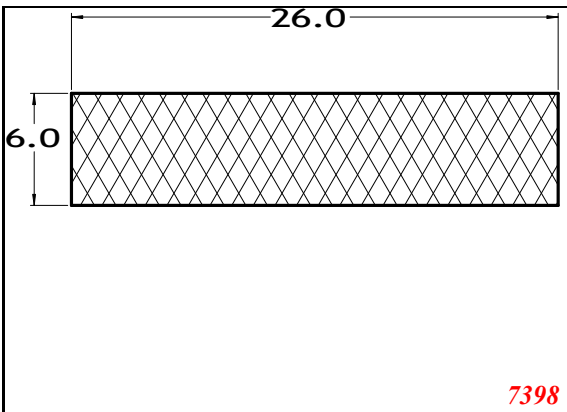
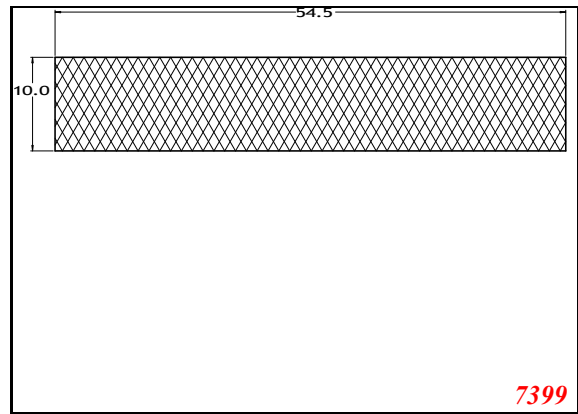
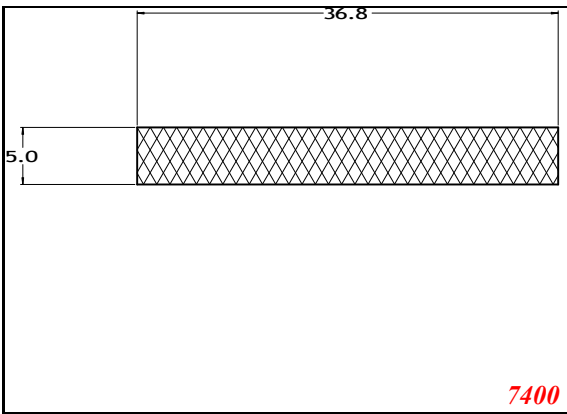
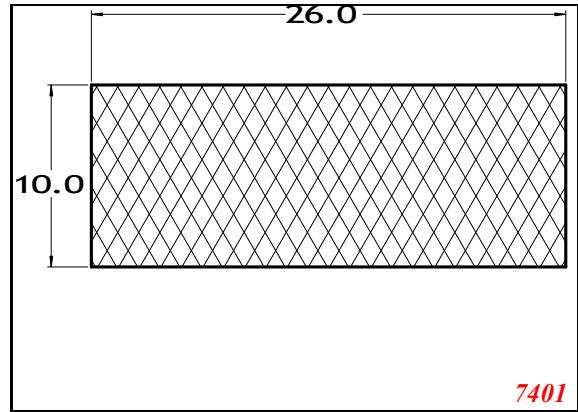
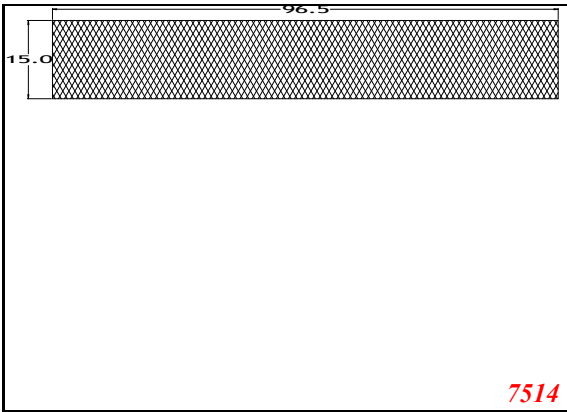
Strip



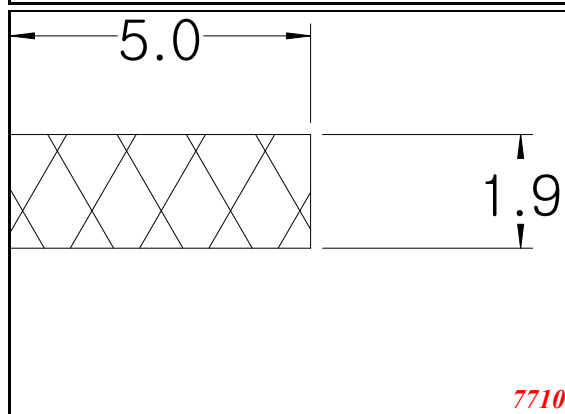
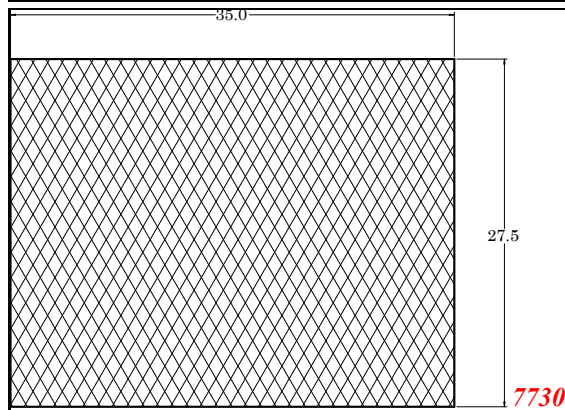
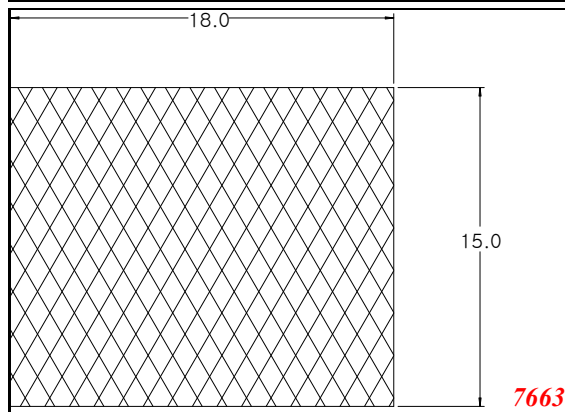
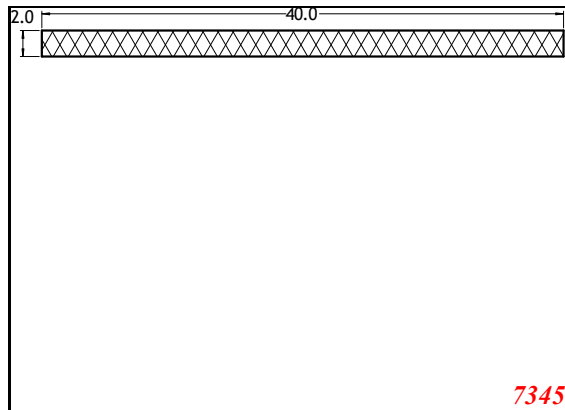
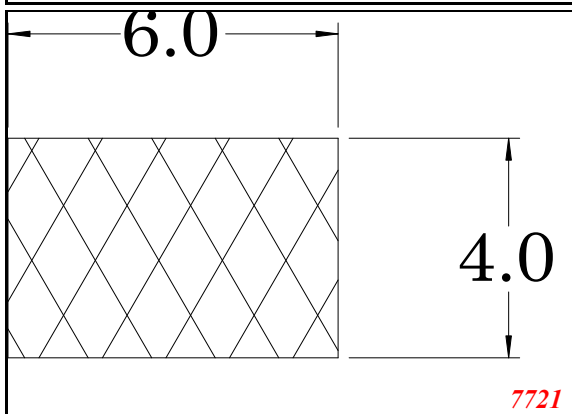
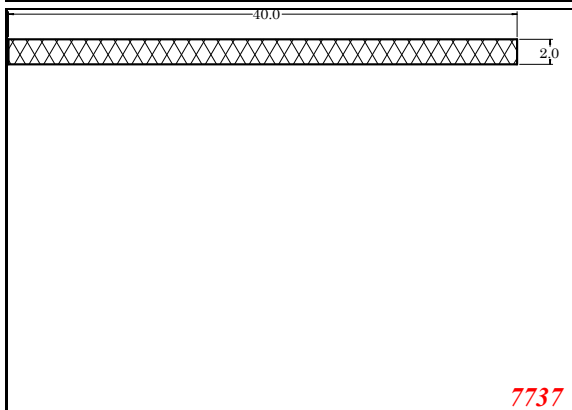
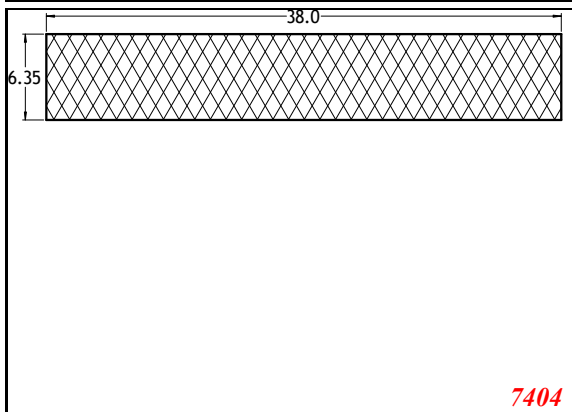
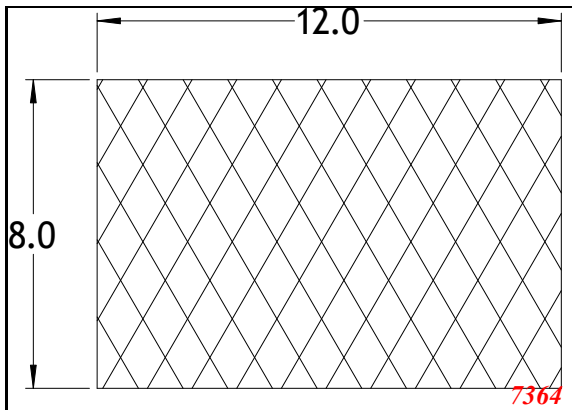
*Strip*



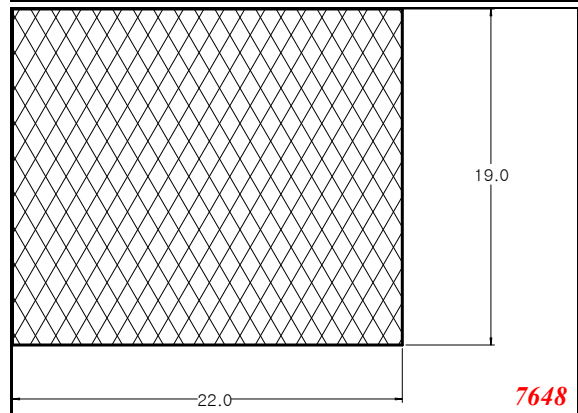
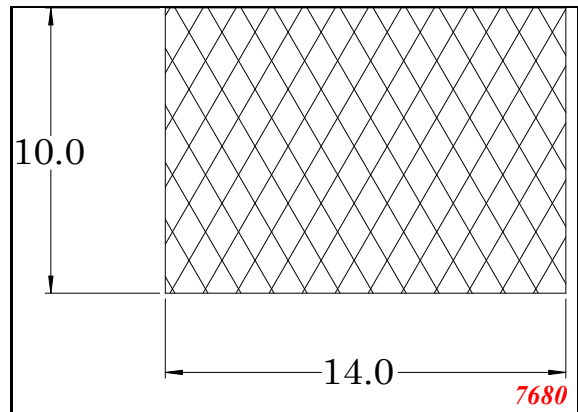
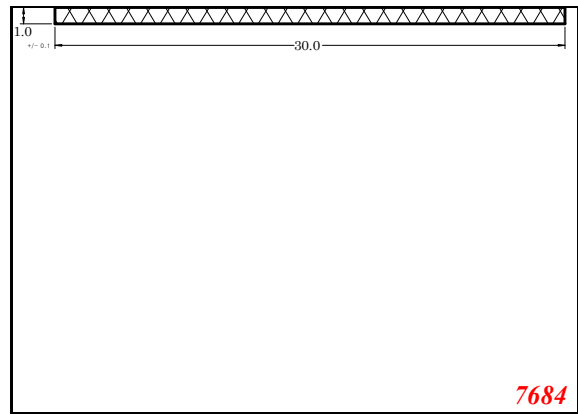
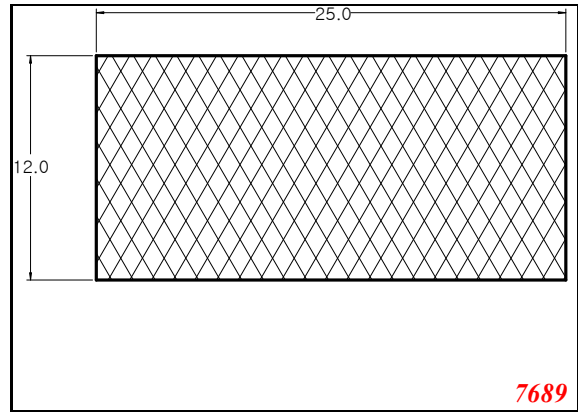
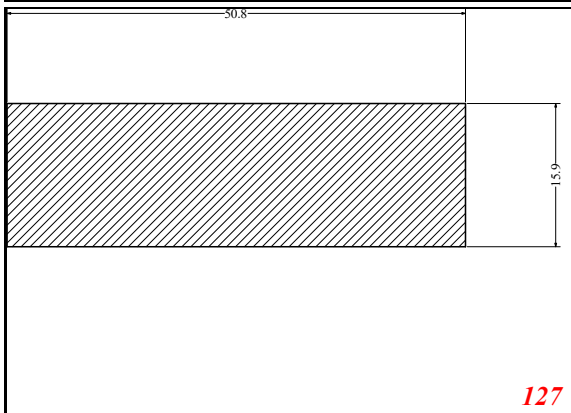
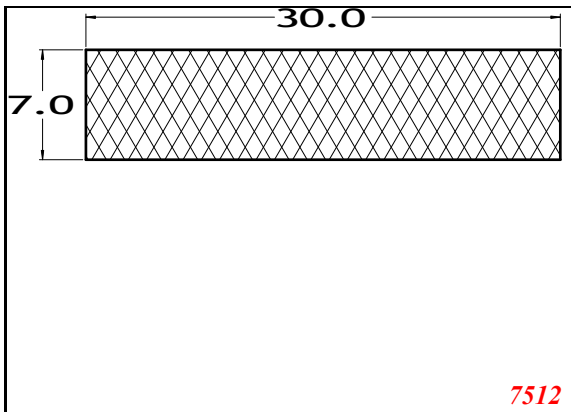
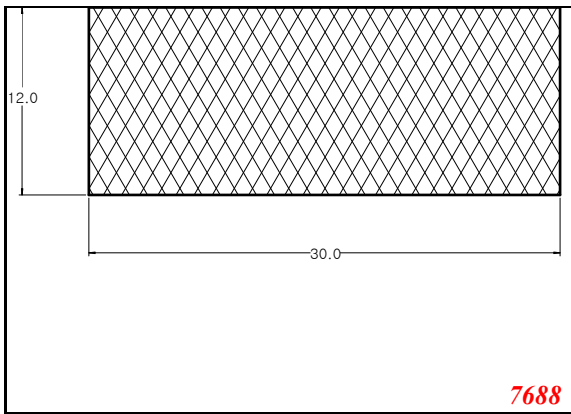
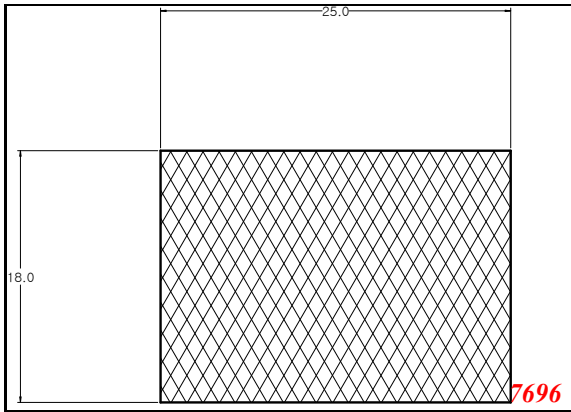
Strip



*Strip*

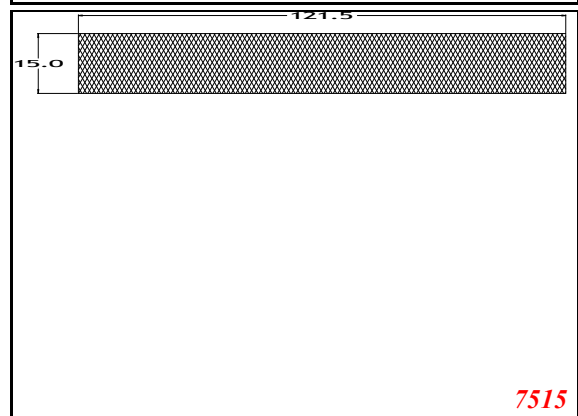
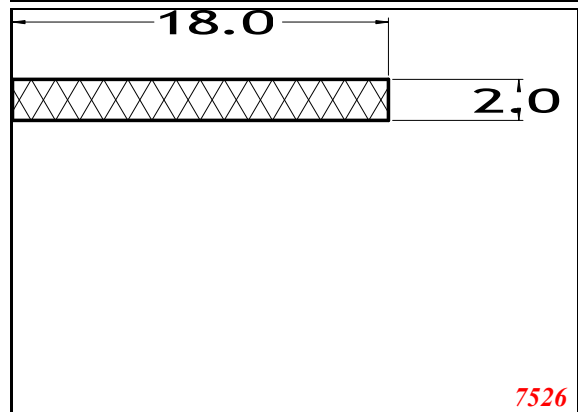
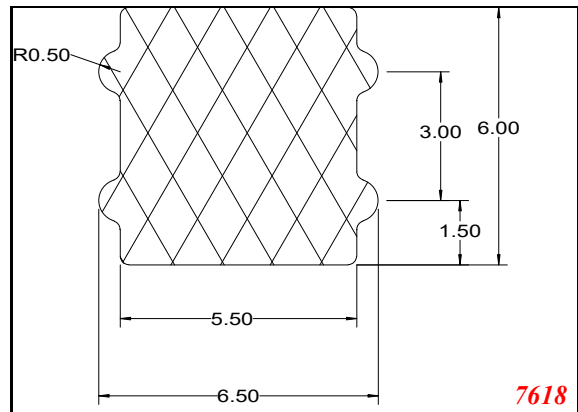
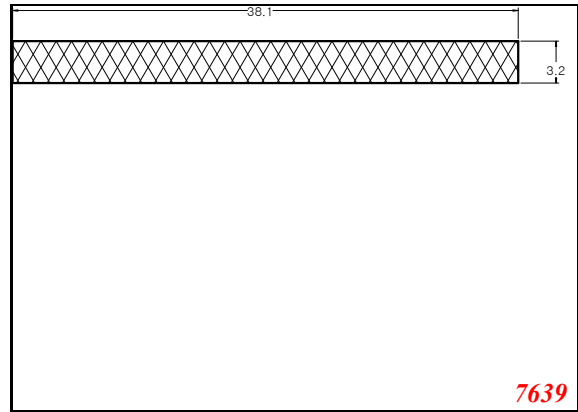
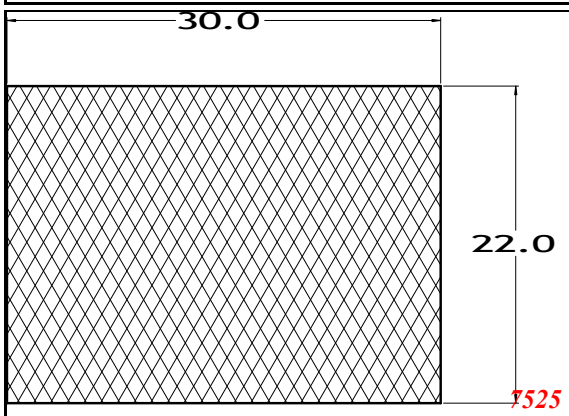
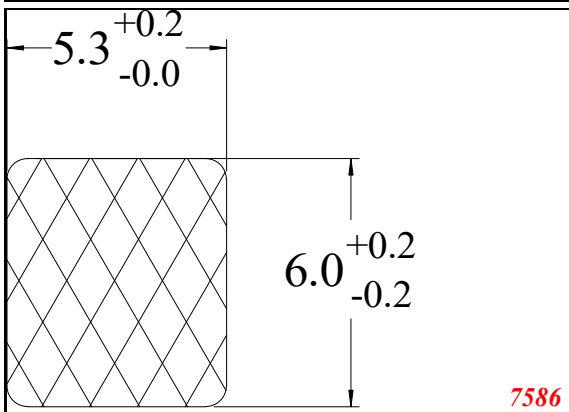
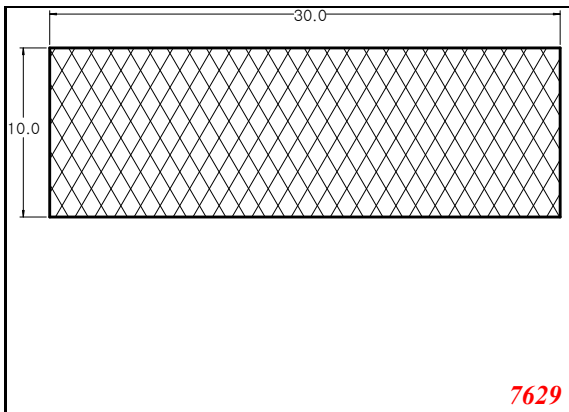
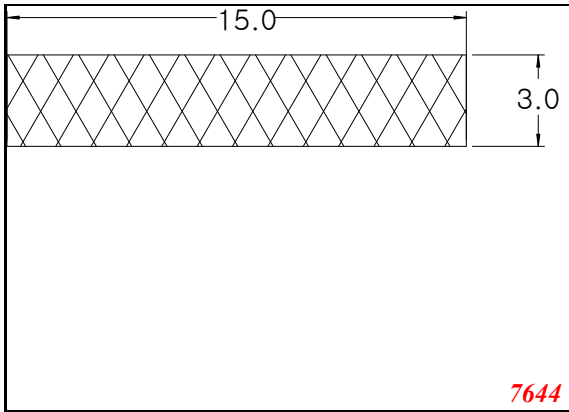


Strip

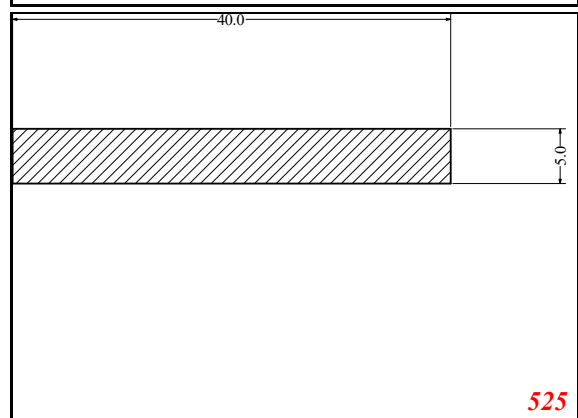
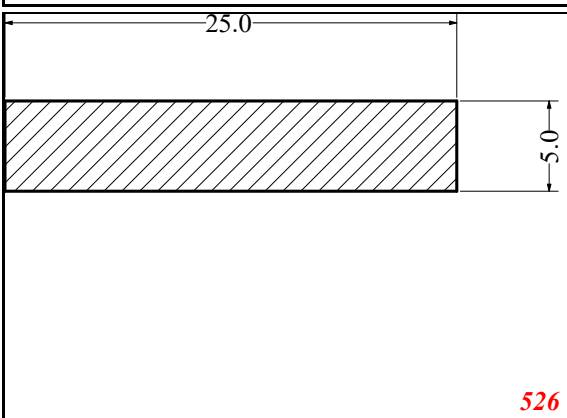
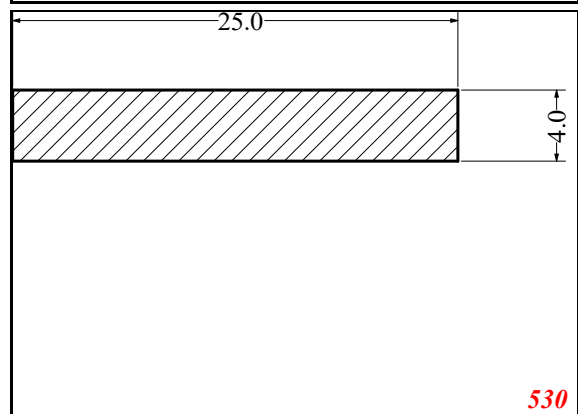
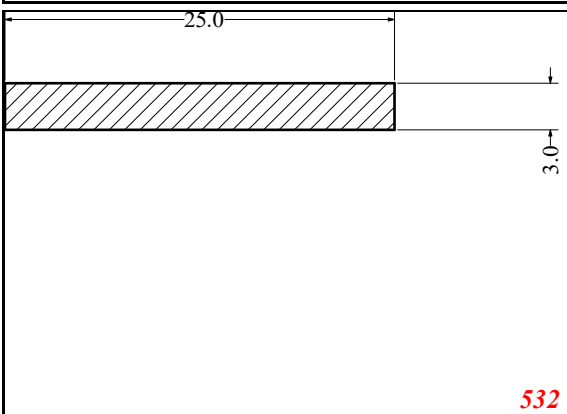
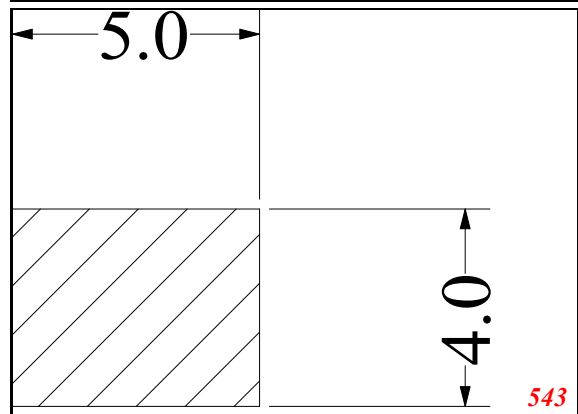
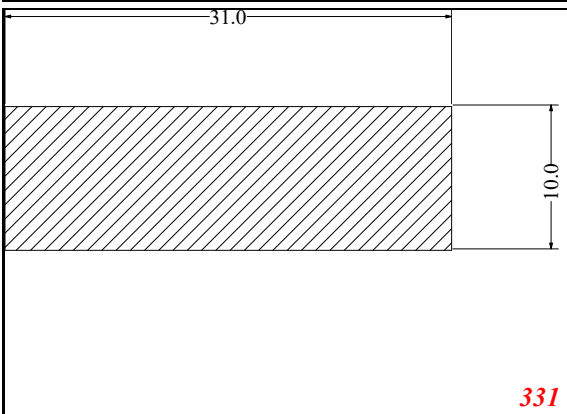
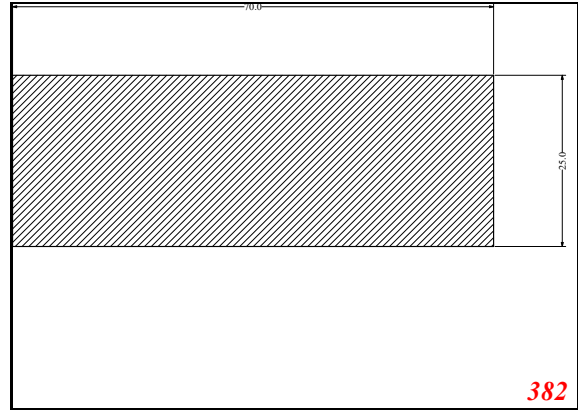
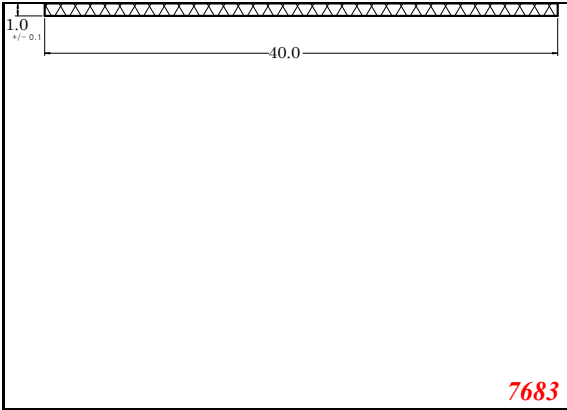




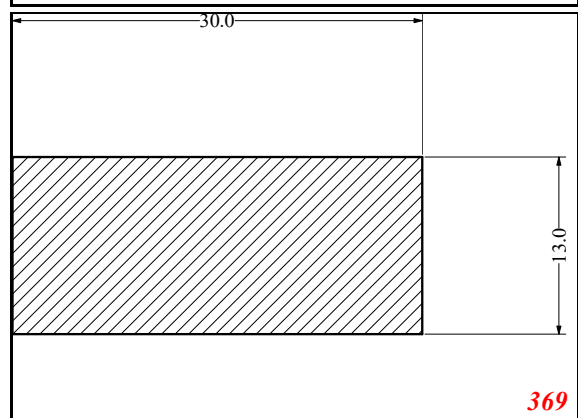
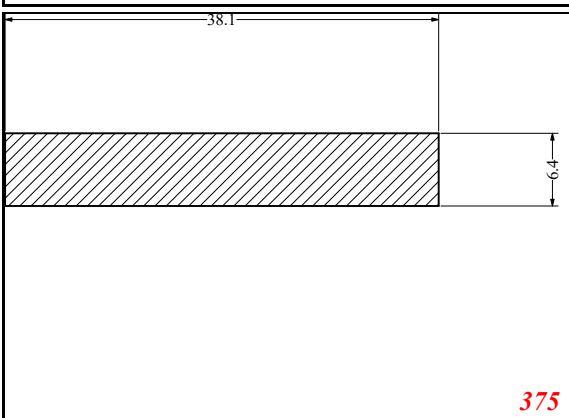
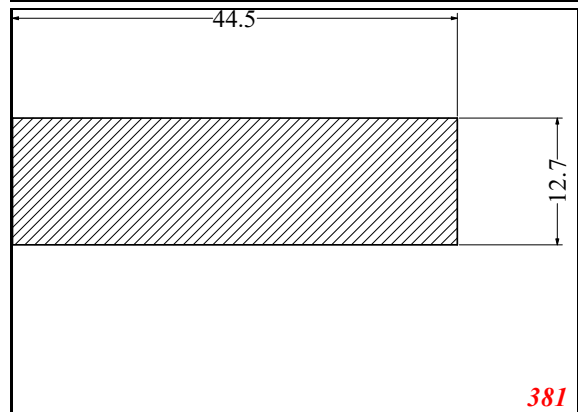
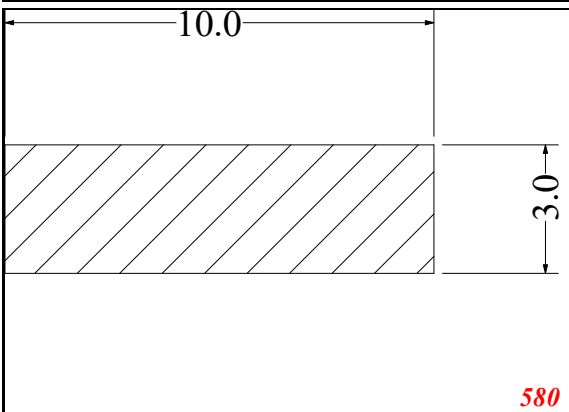
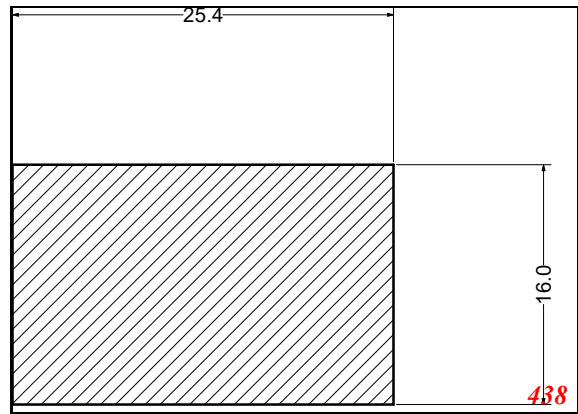
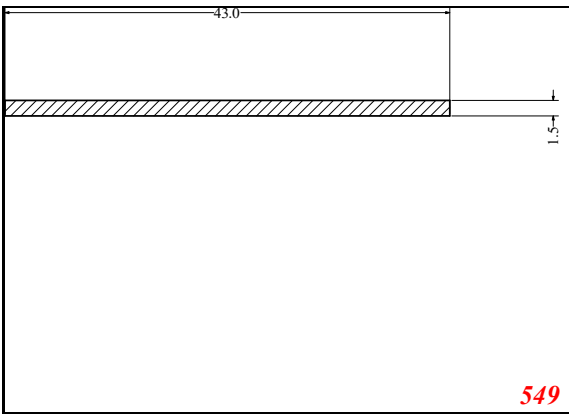
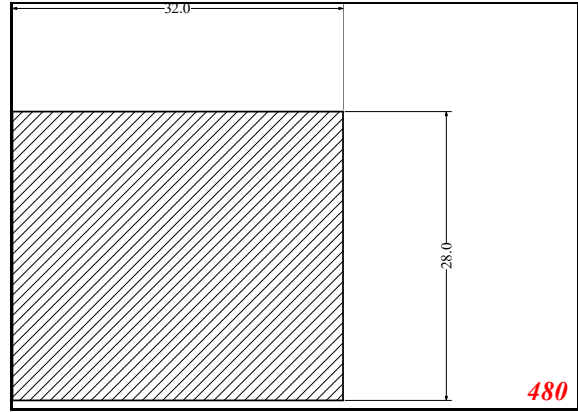
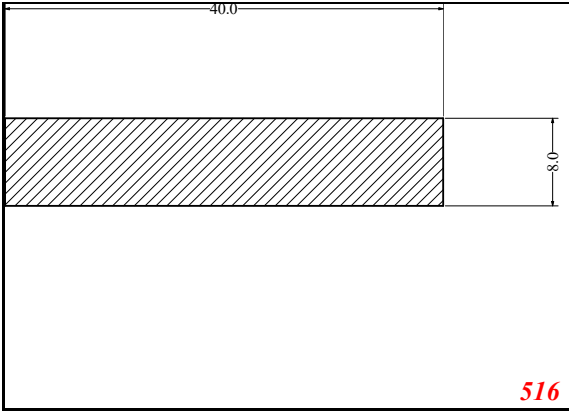
Strip



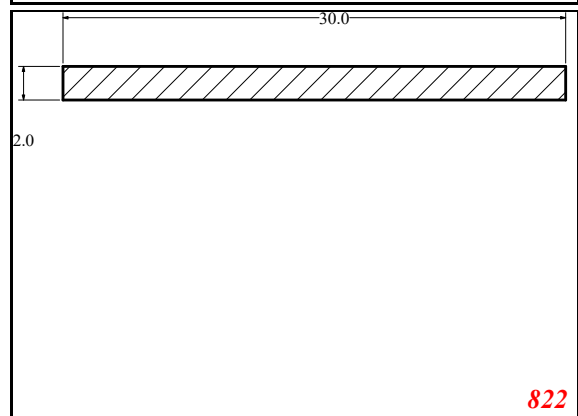
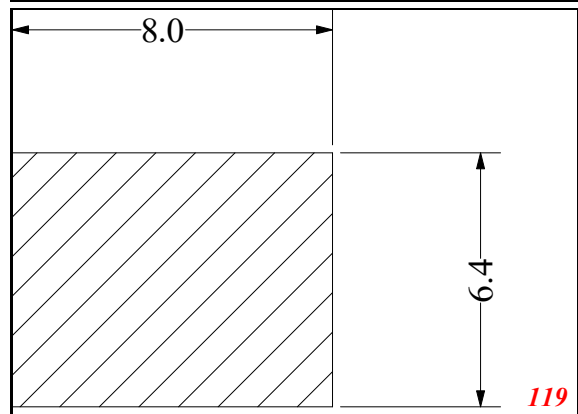
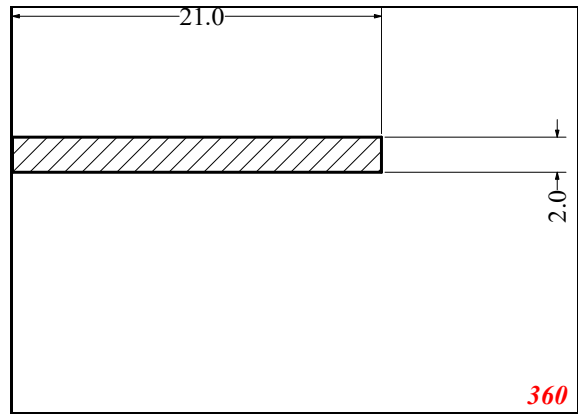
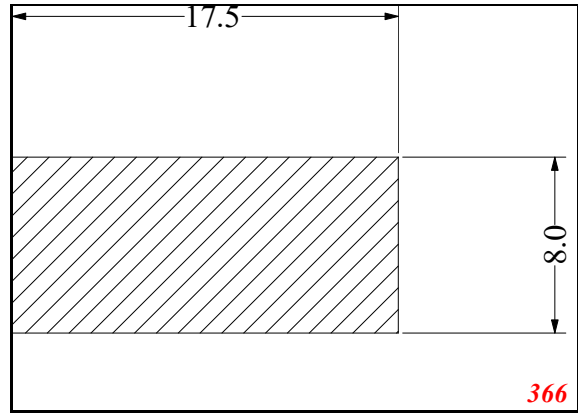
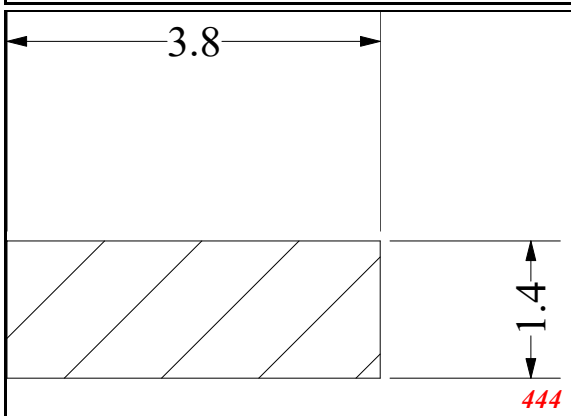
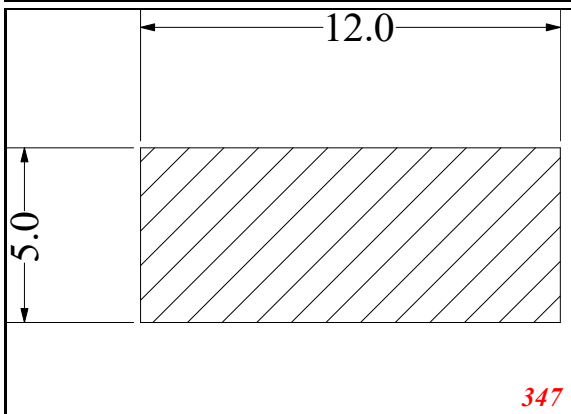
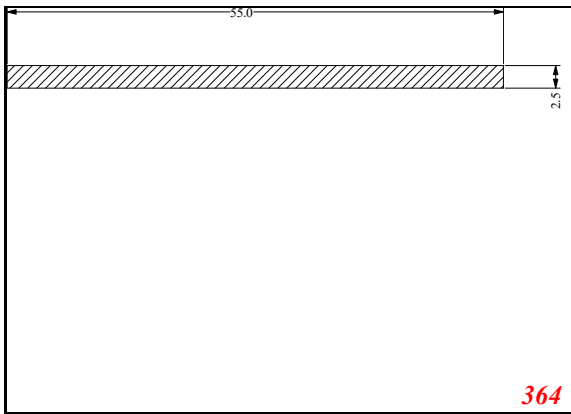
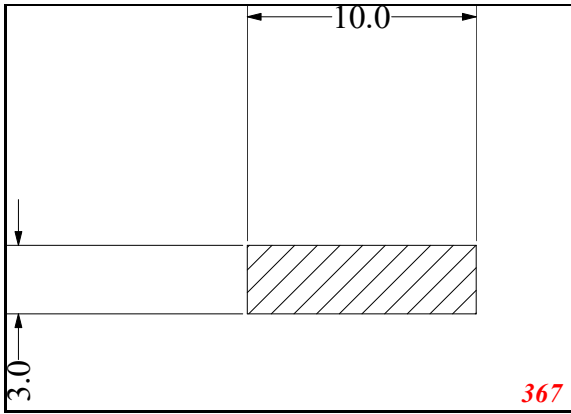
Strip



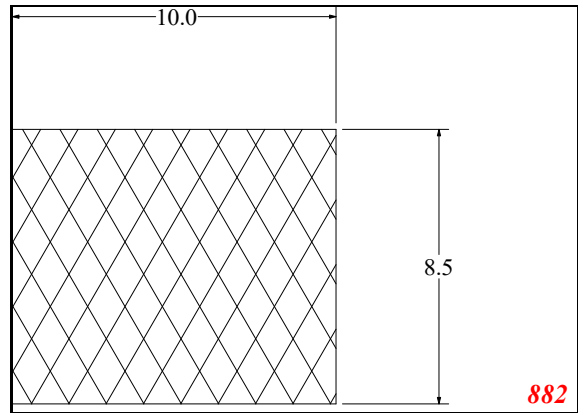
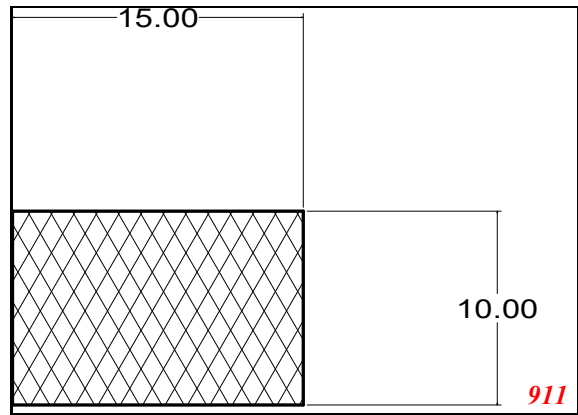
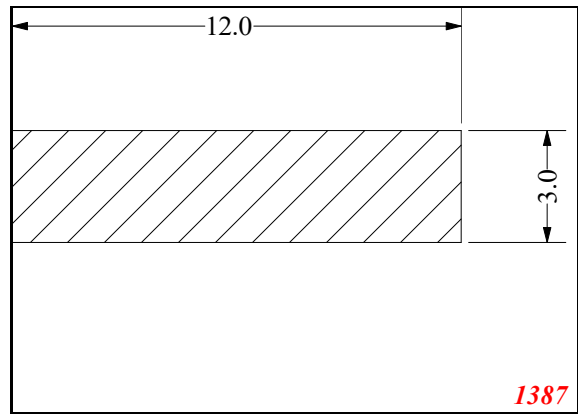
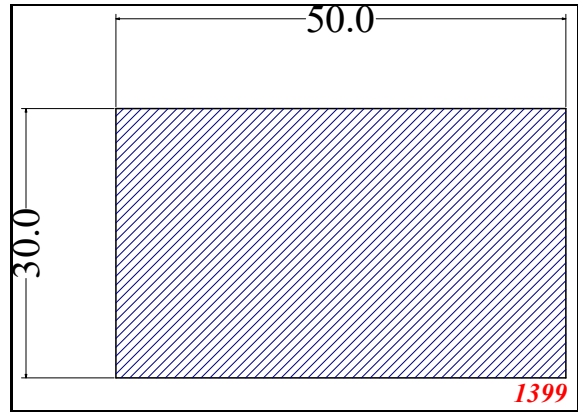
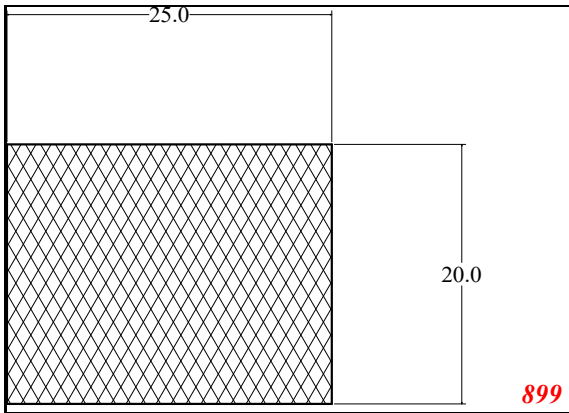
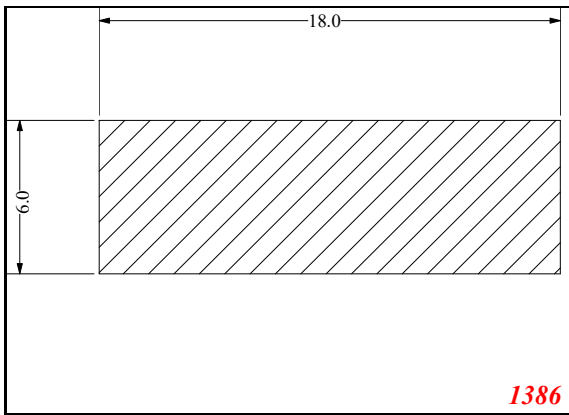
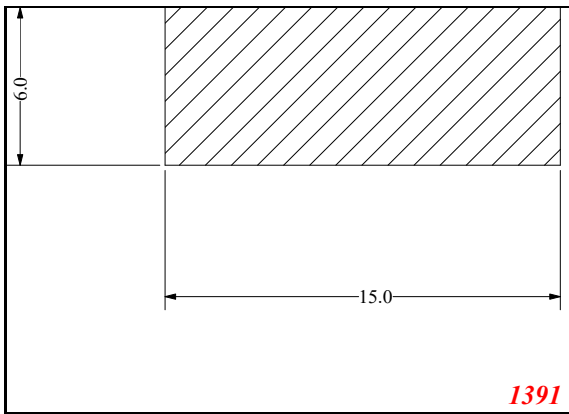
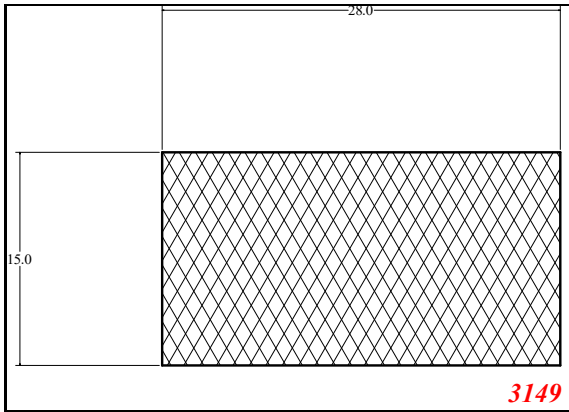
Strip



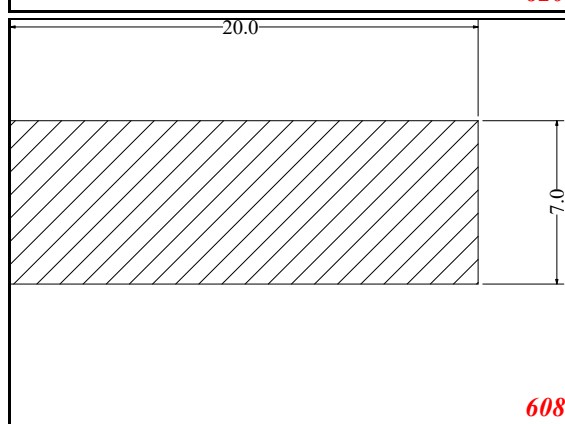
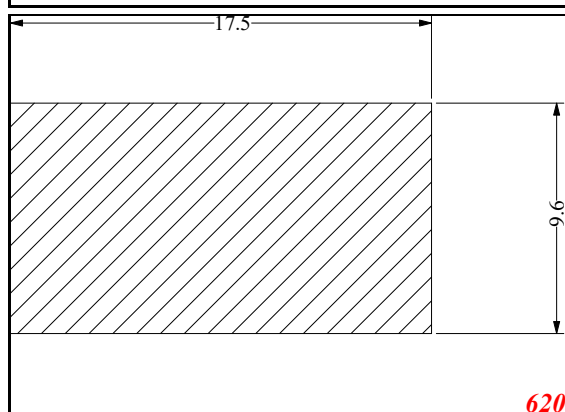
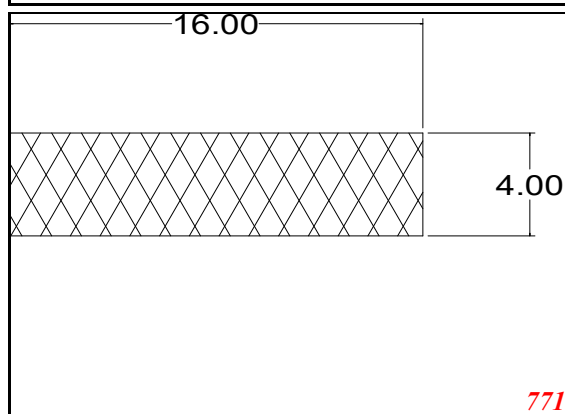
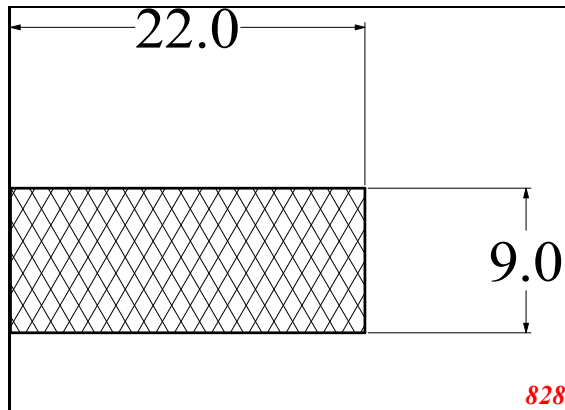
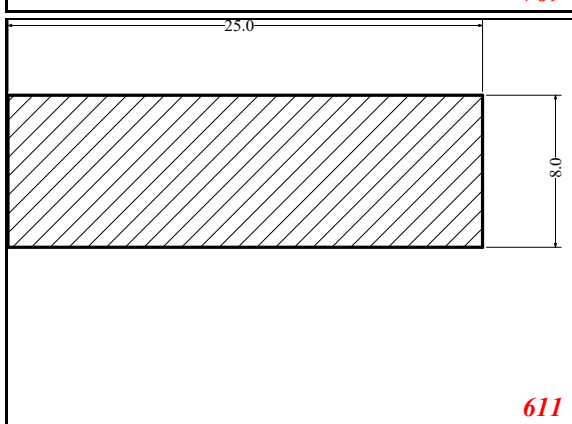
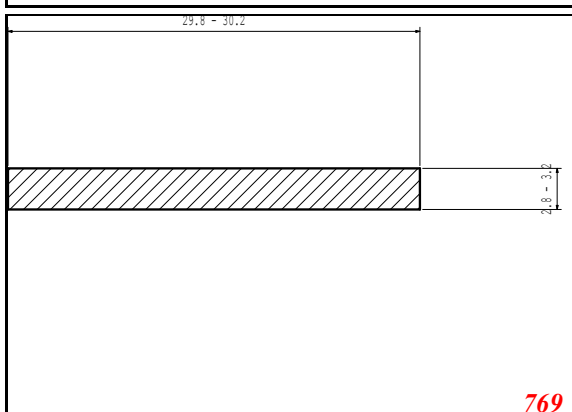
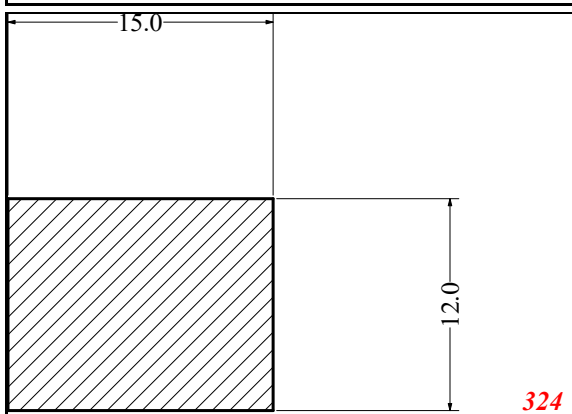
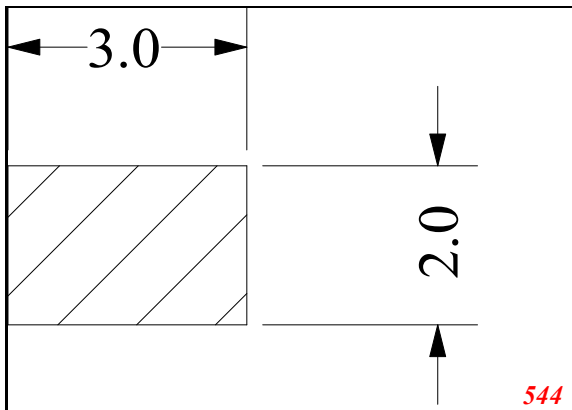
Strip



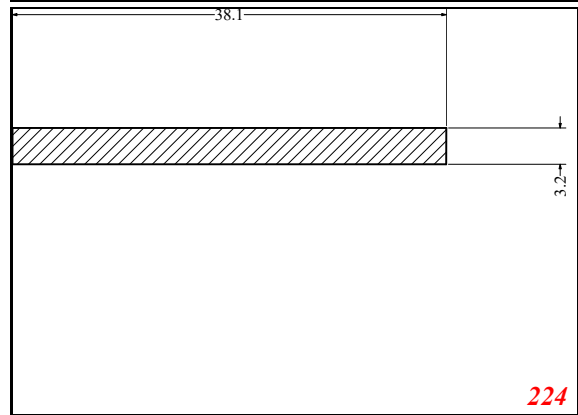
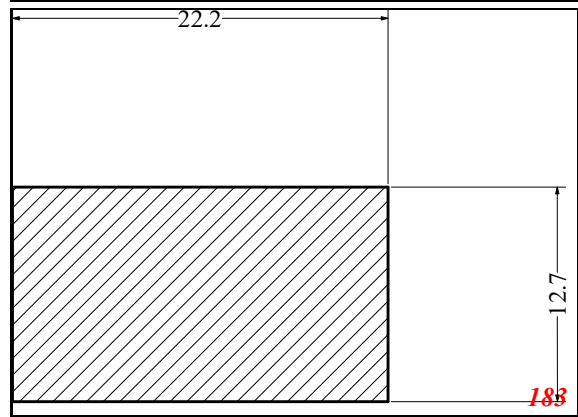
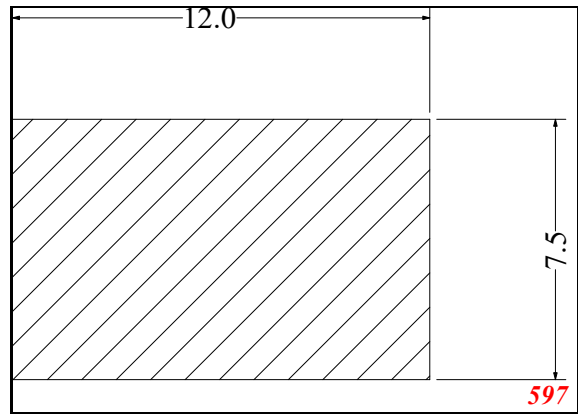
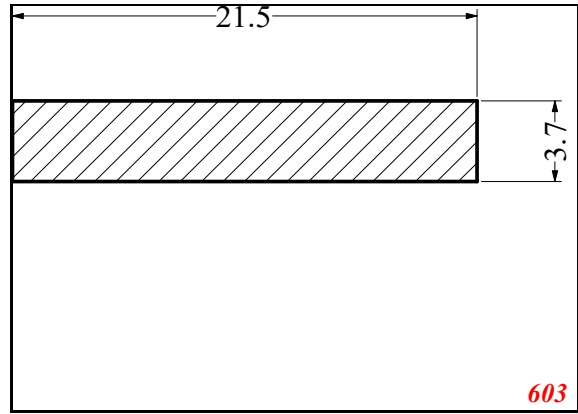
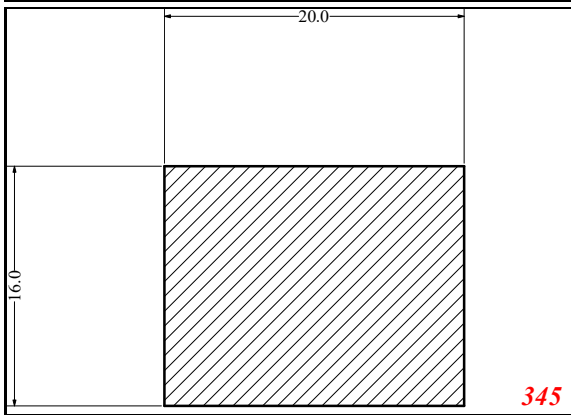
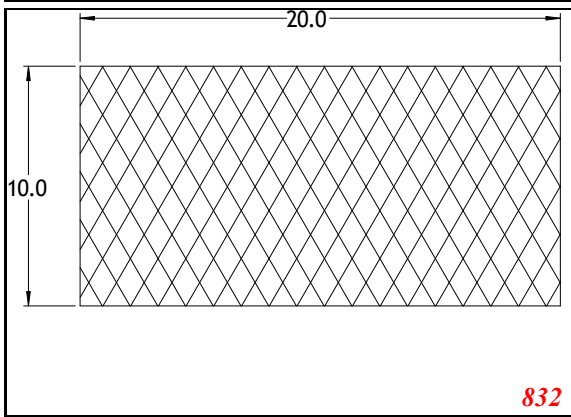
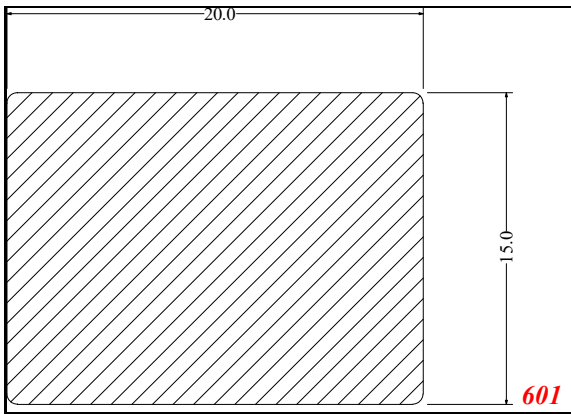
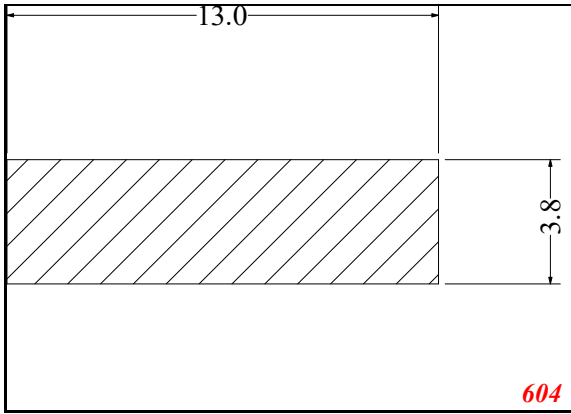
Strip



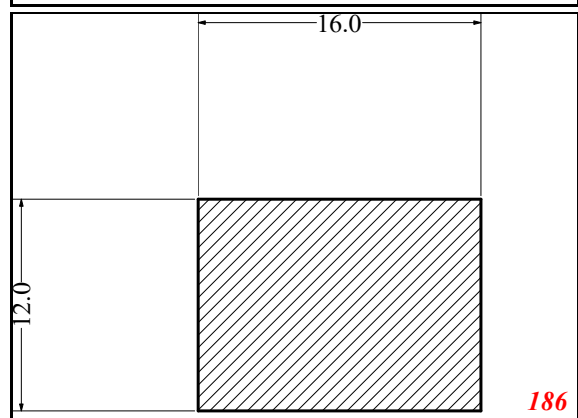
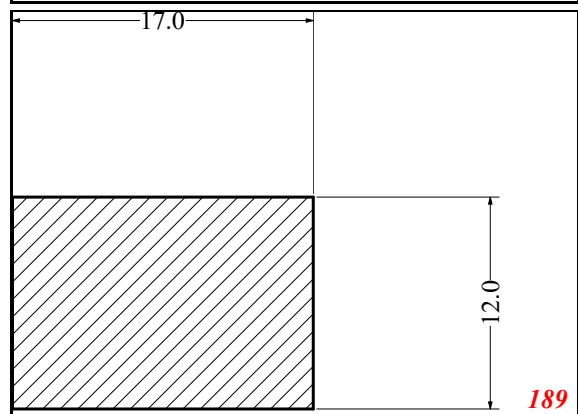
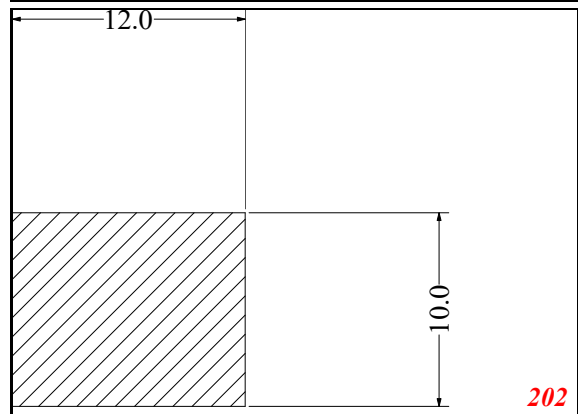
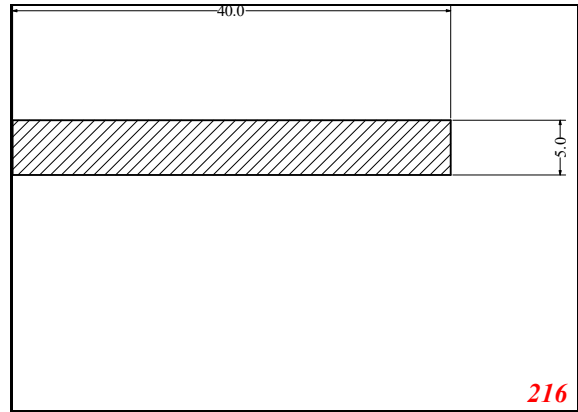
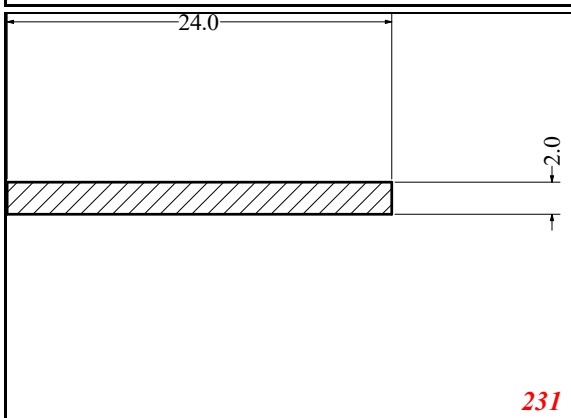
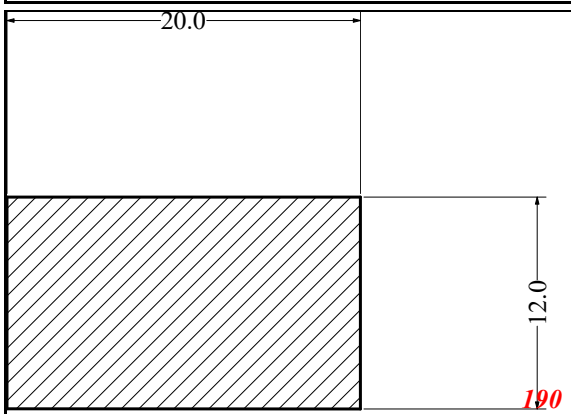
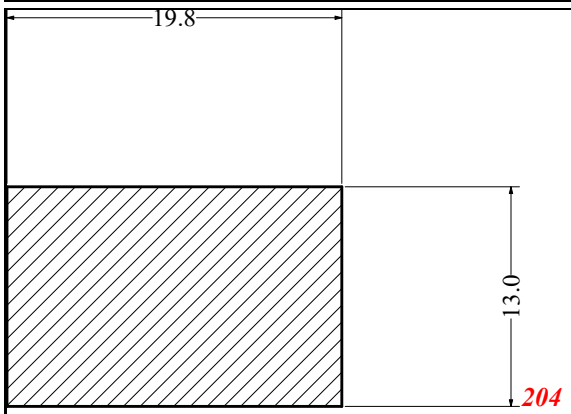
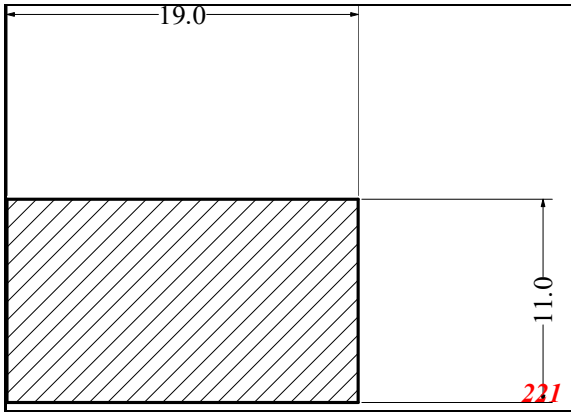
Strip



*Strip*

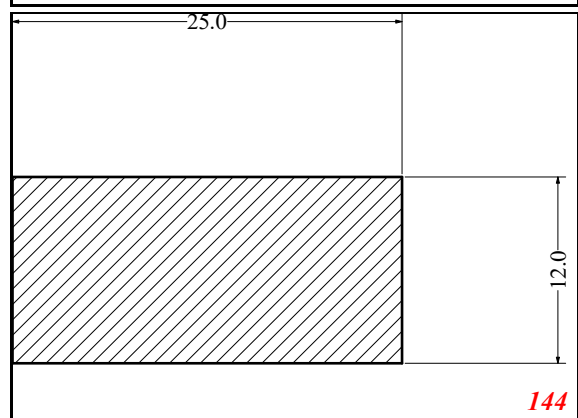
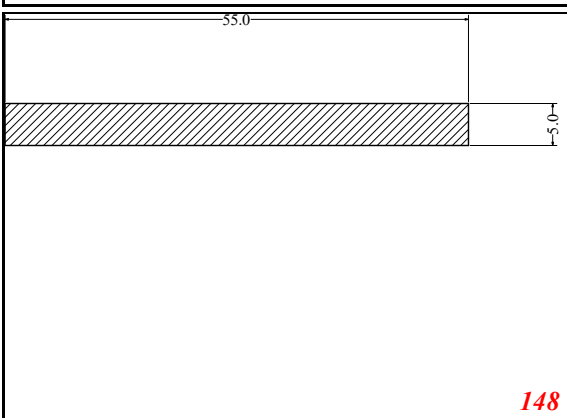
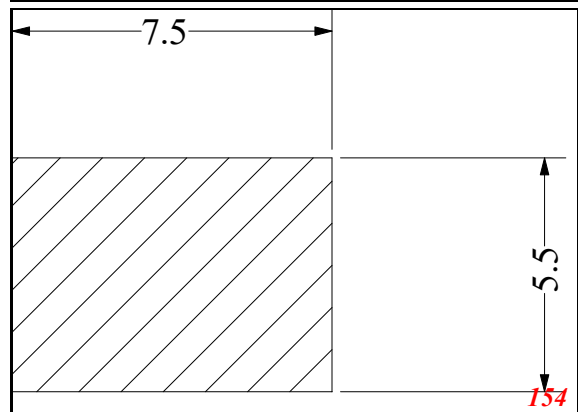
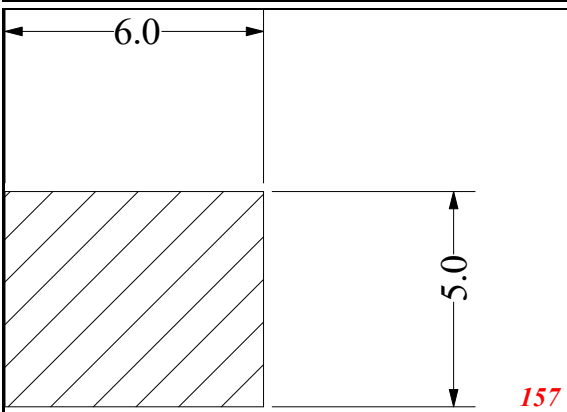
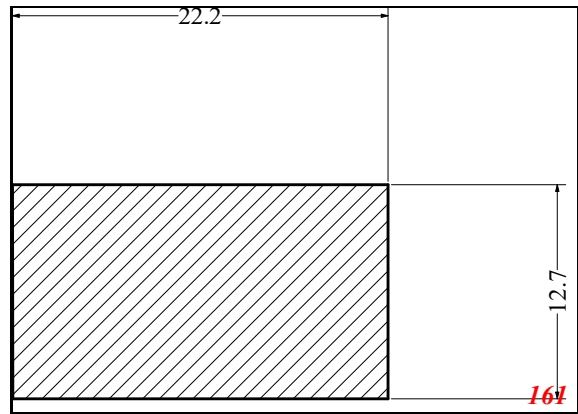
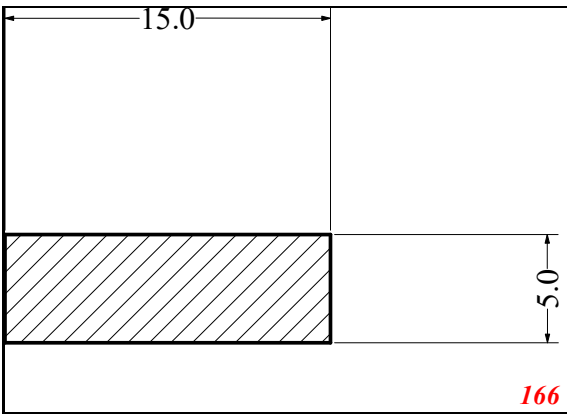
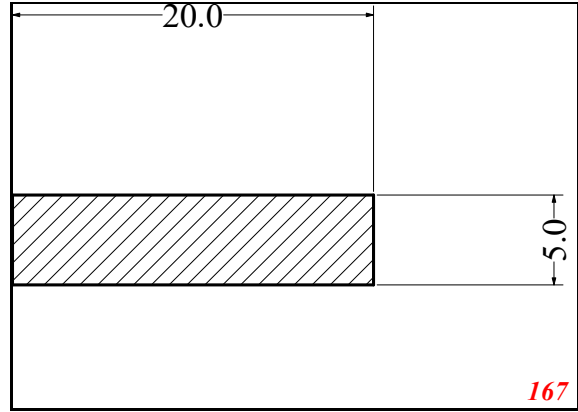
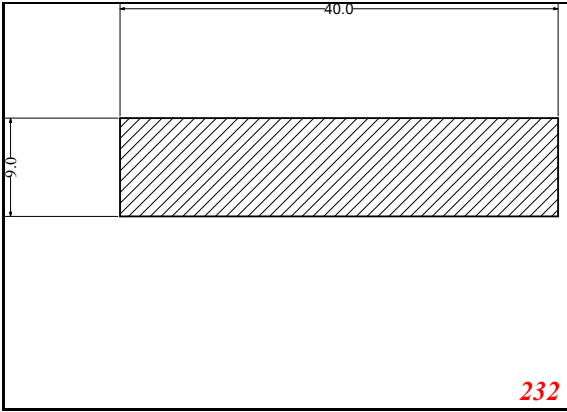


Strip

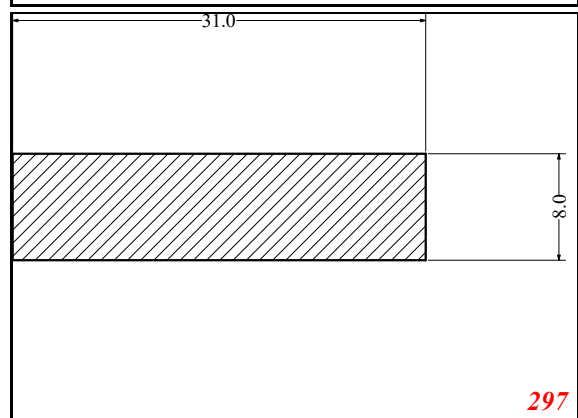
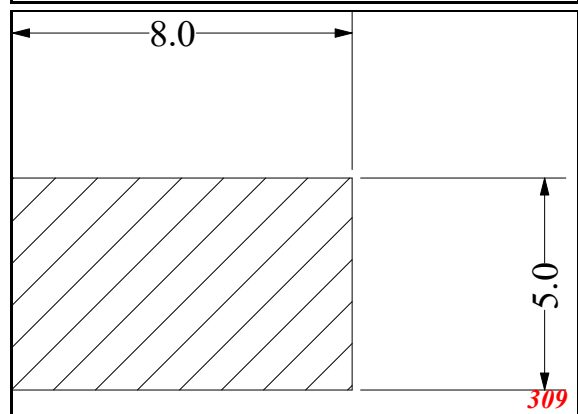
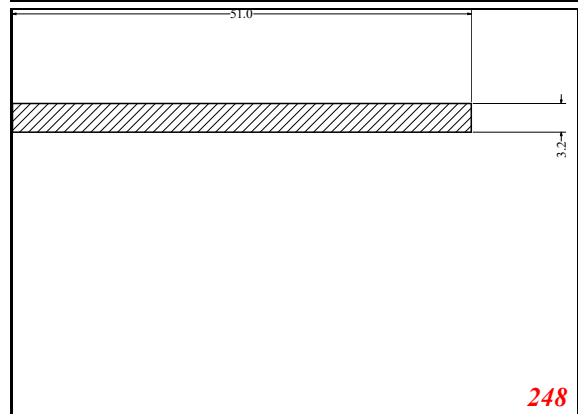
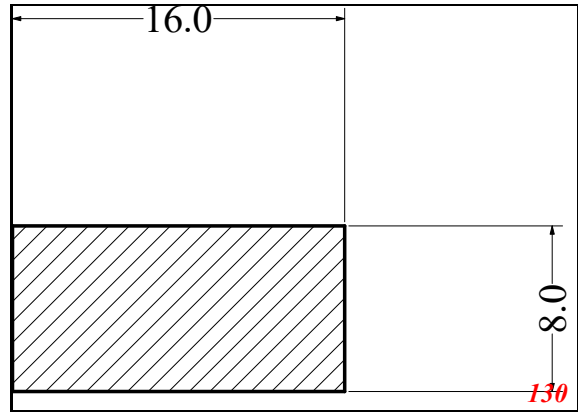
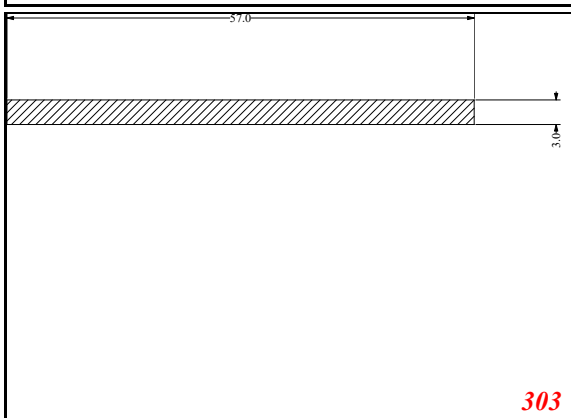
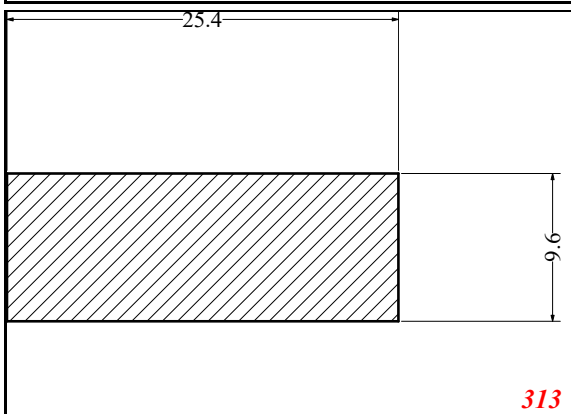
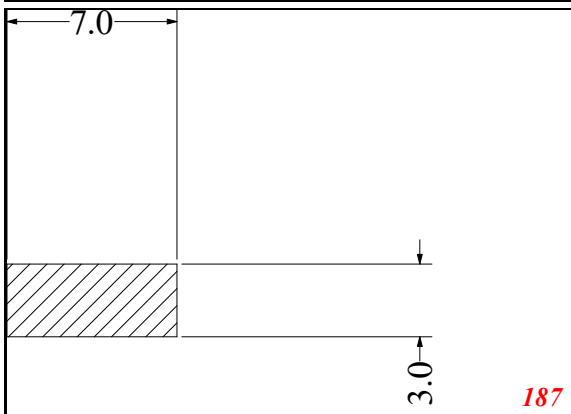
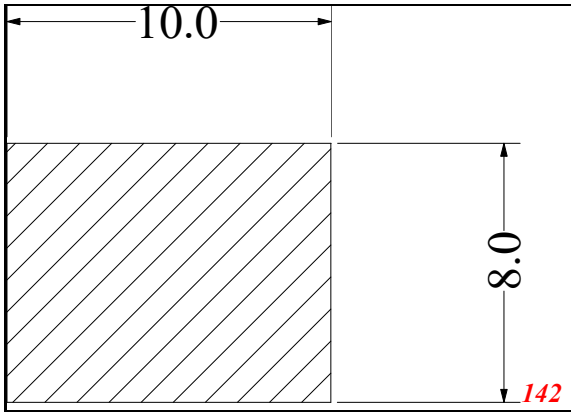




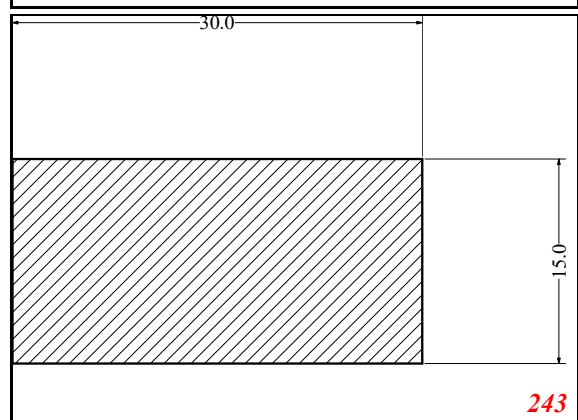
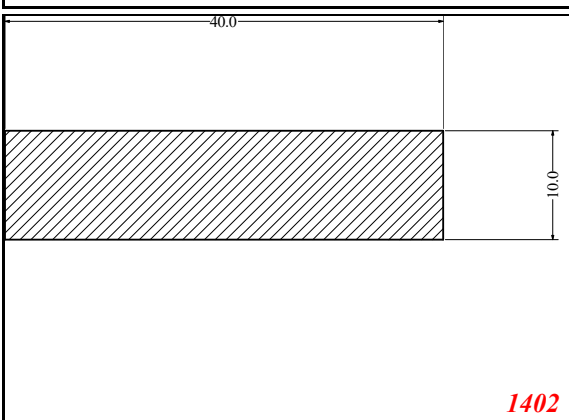
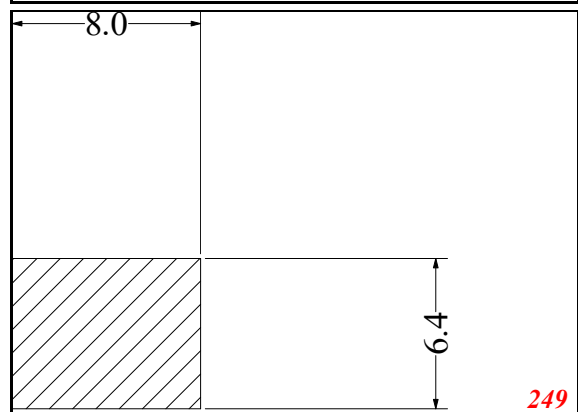
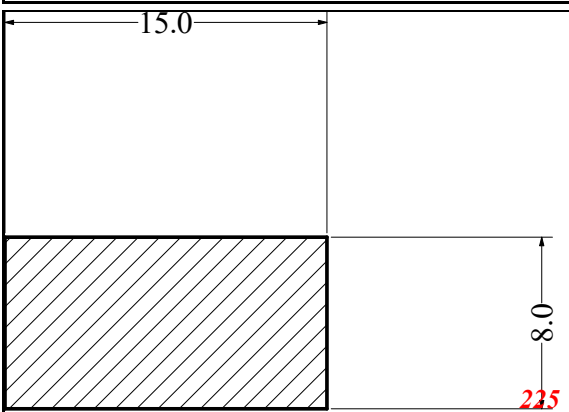
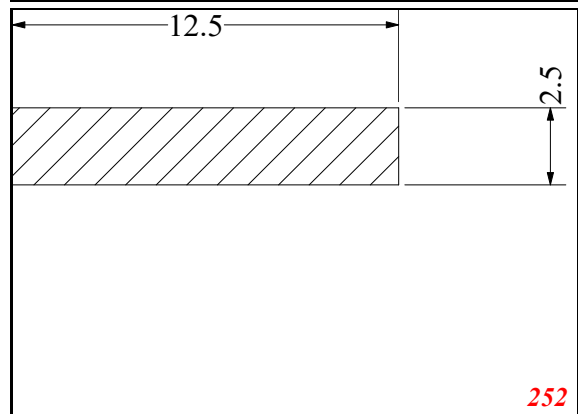
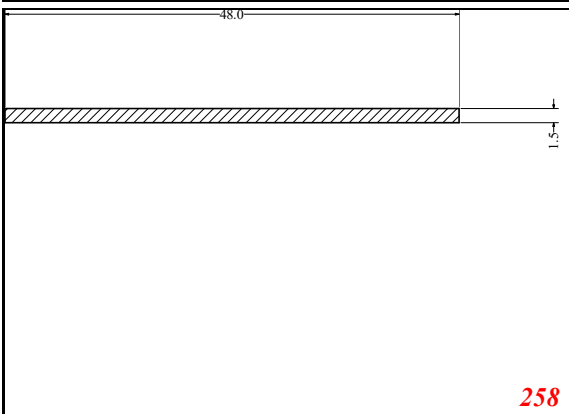
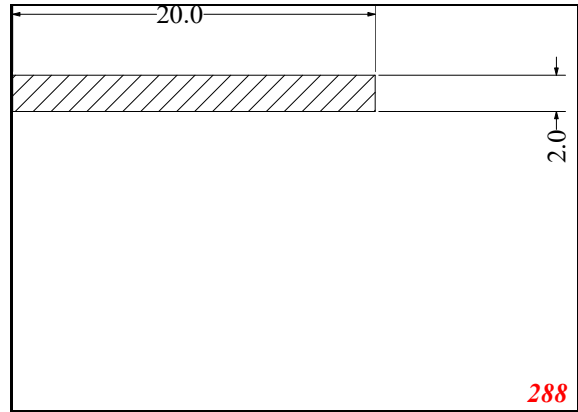
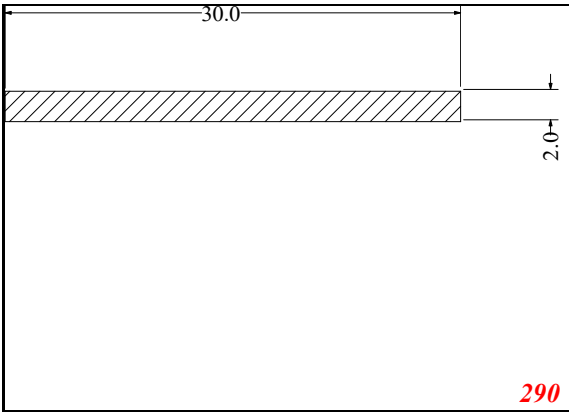
Strip



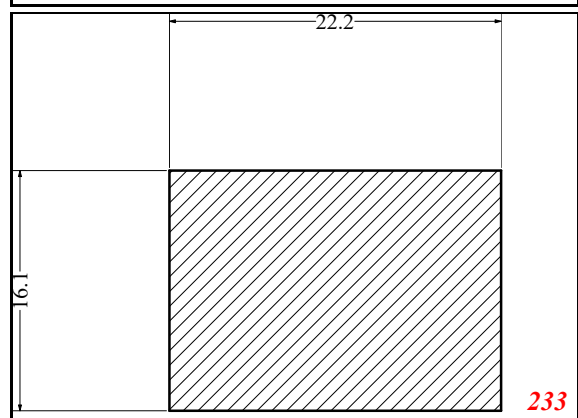
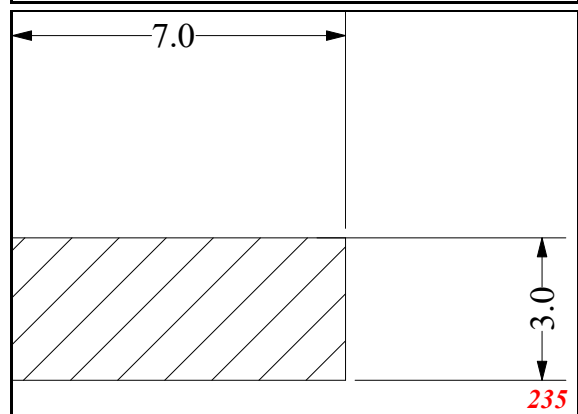
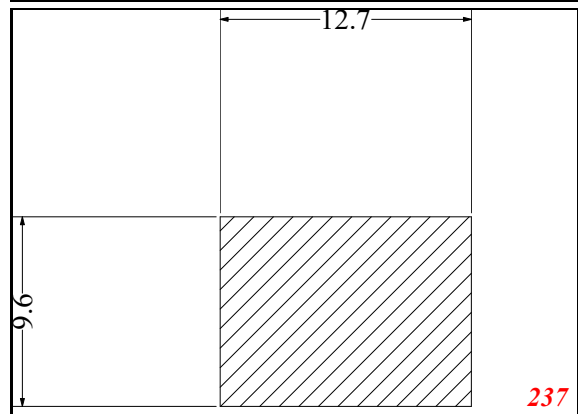
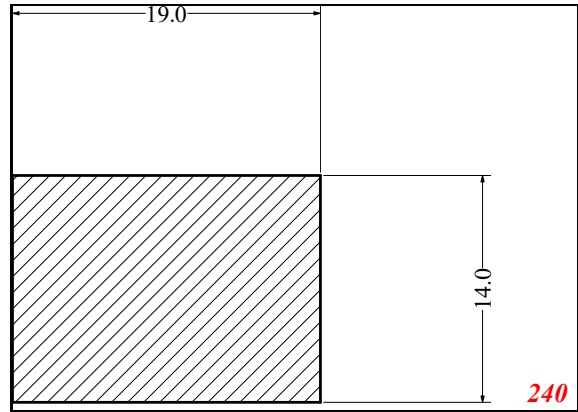
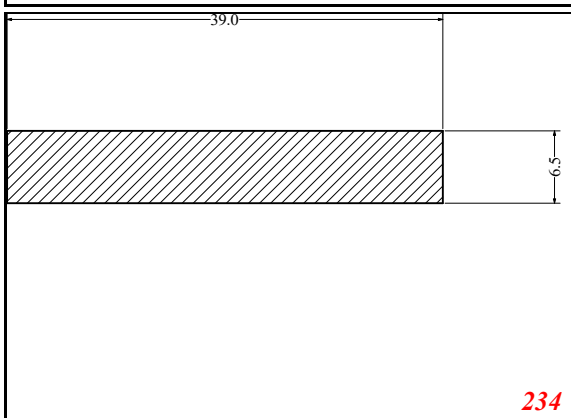
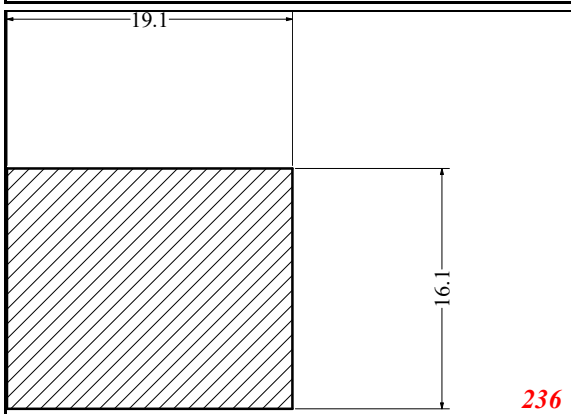
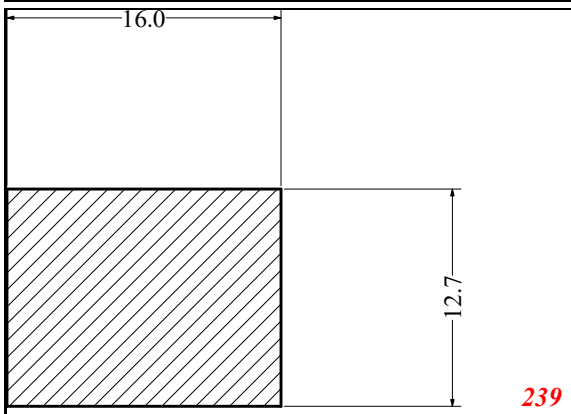
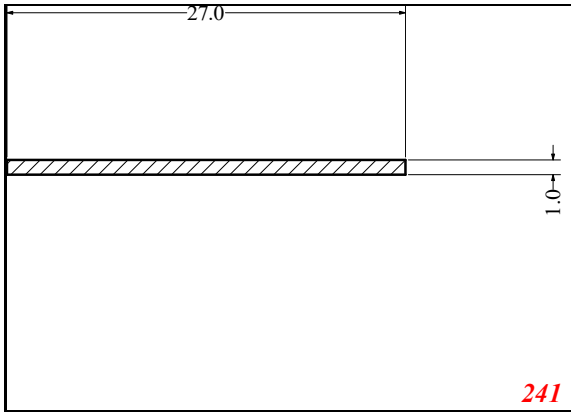
*Strip*



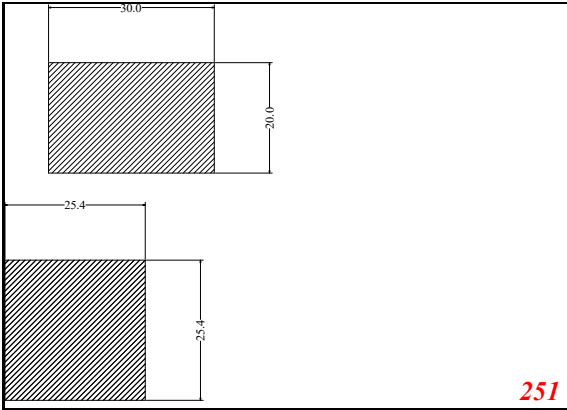
Strip



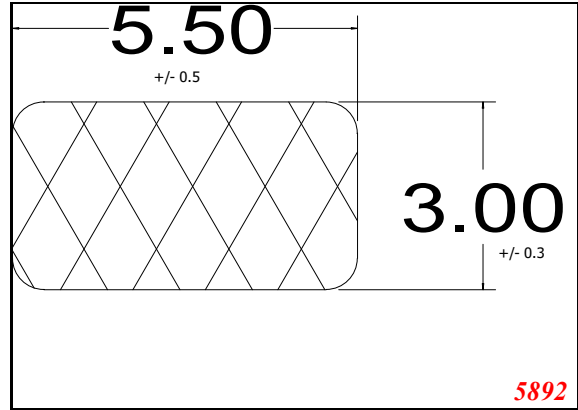
Strip



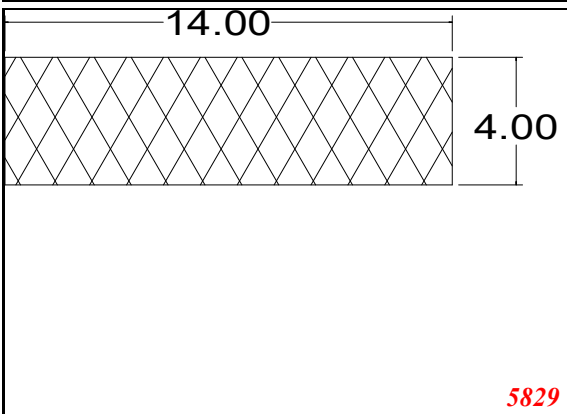
Strip



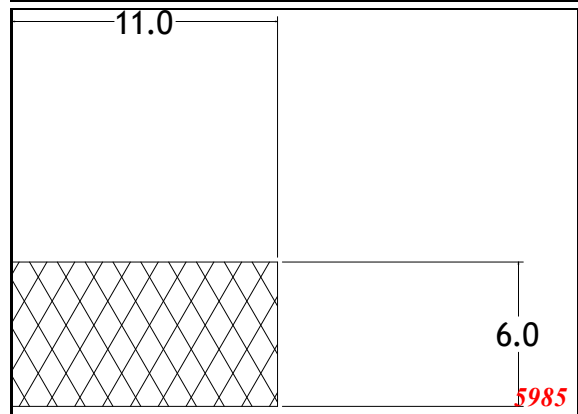
251



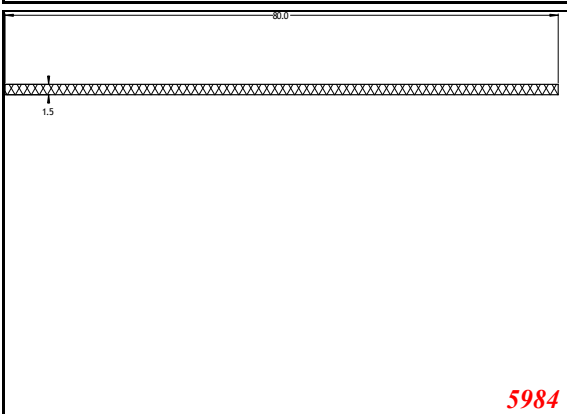
5892



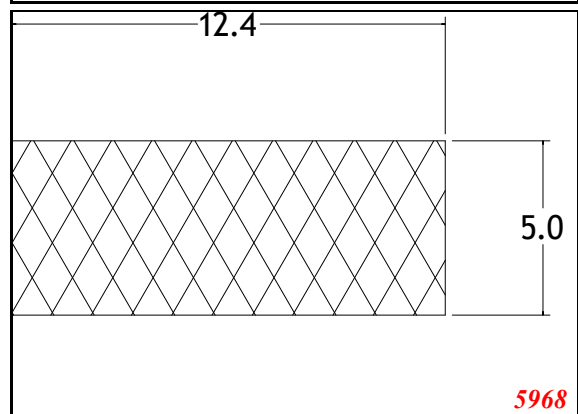
5829



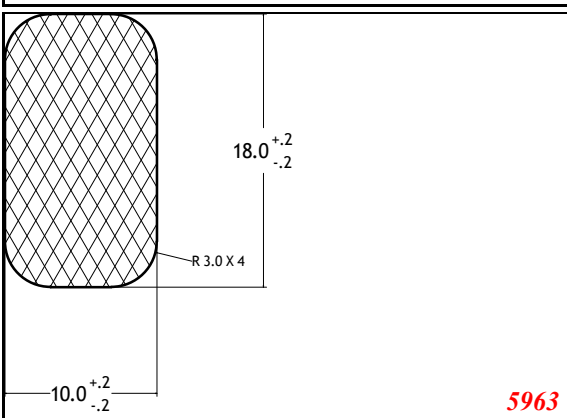
5985



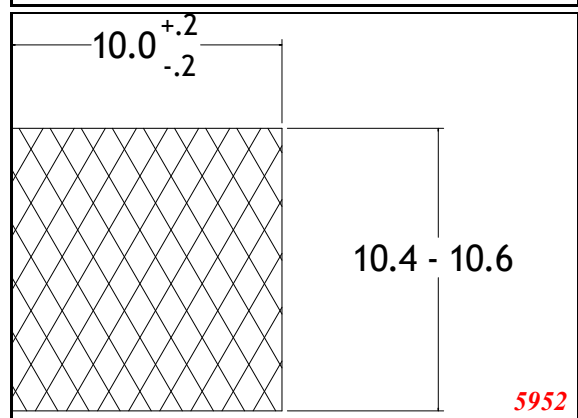
5984



5968

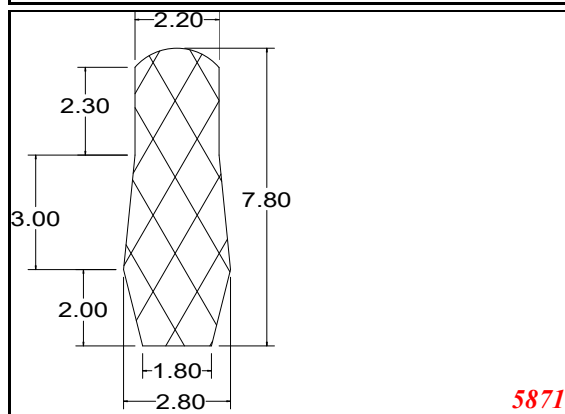
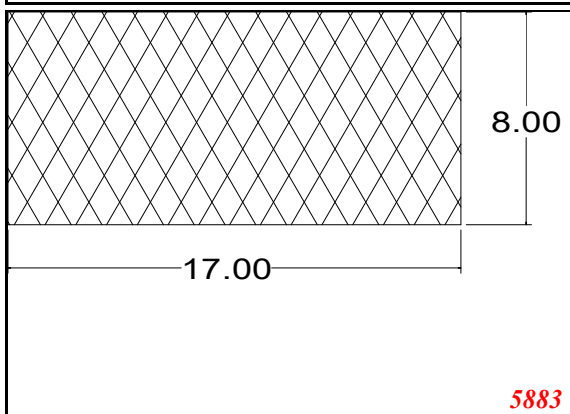
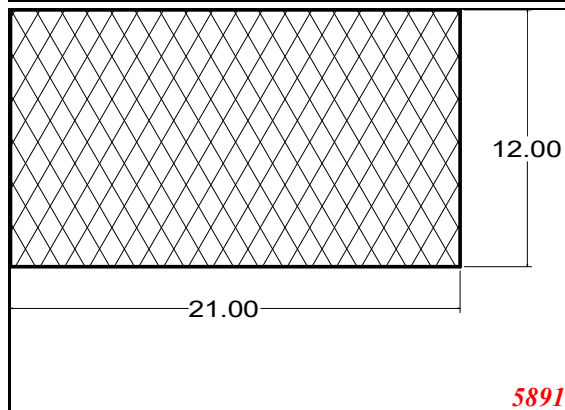
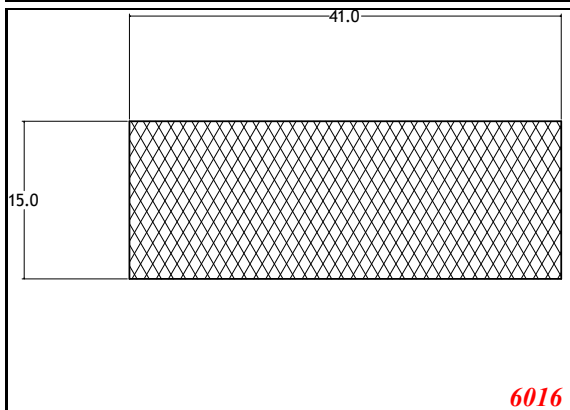
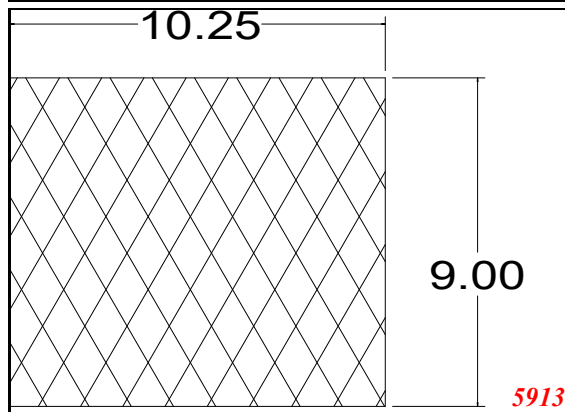
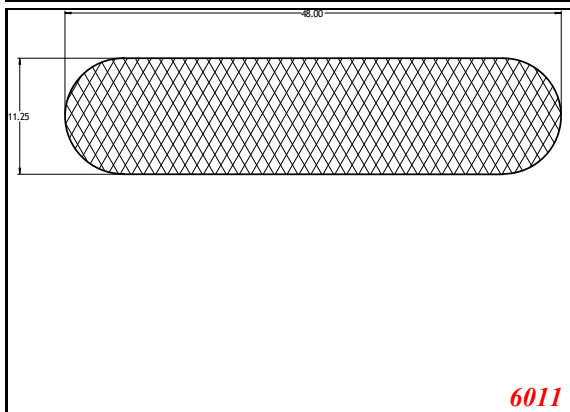
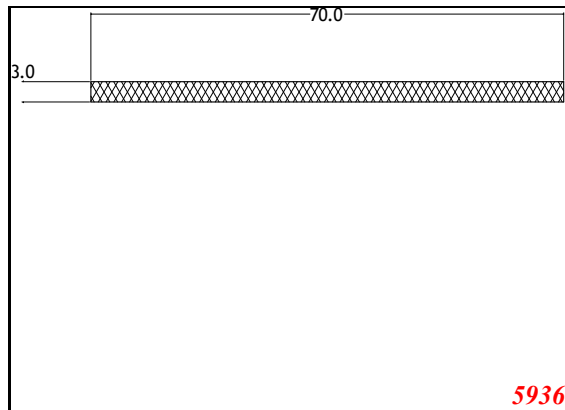
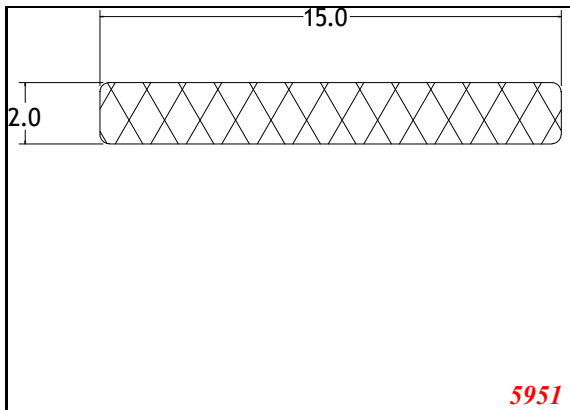


5963

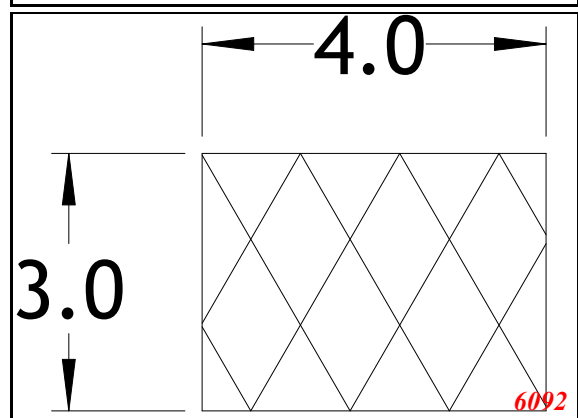
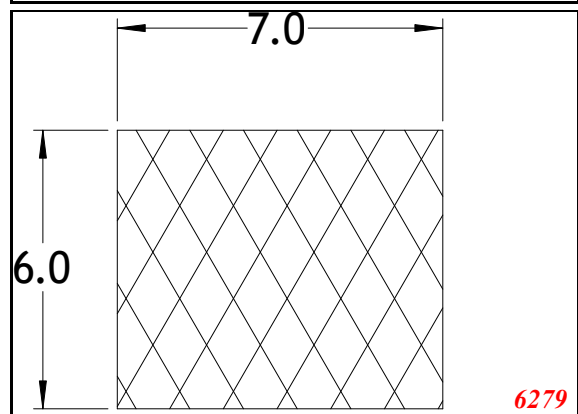
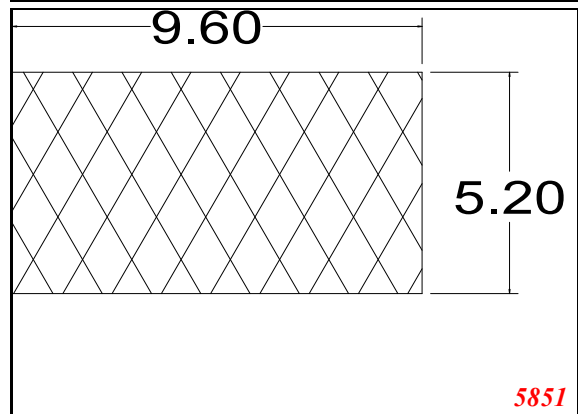
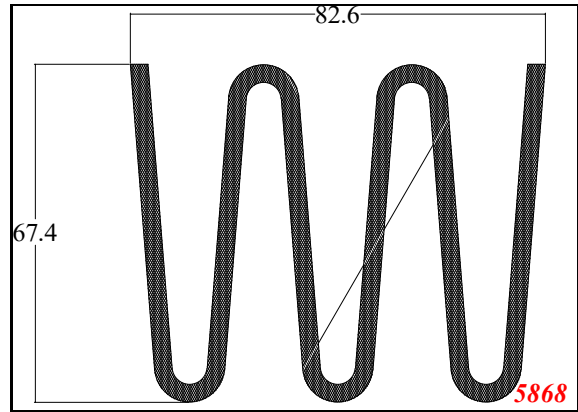
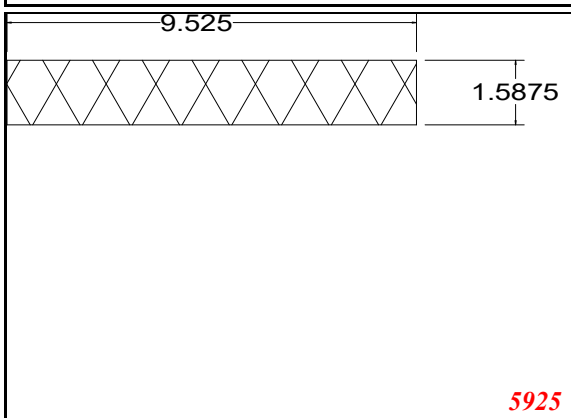
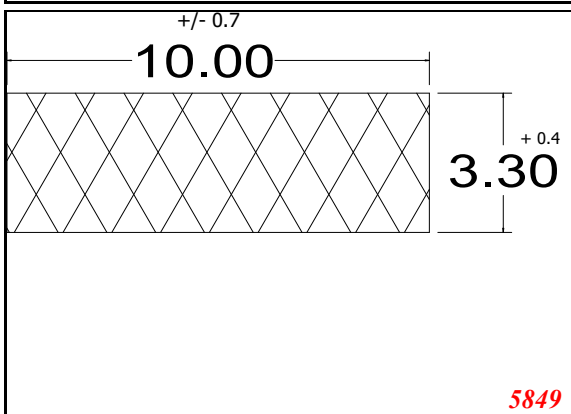
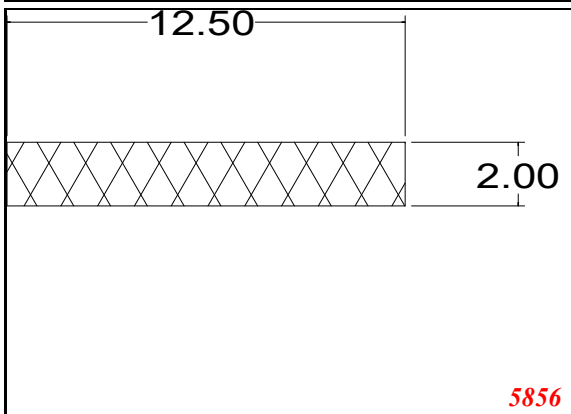
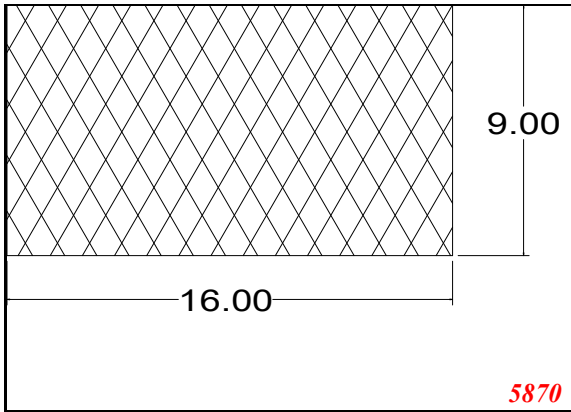


5952

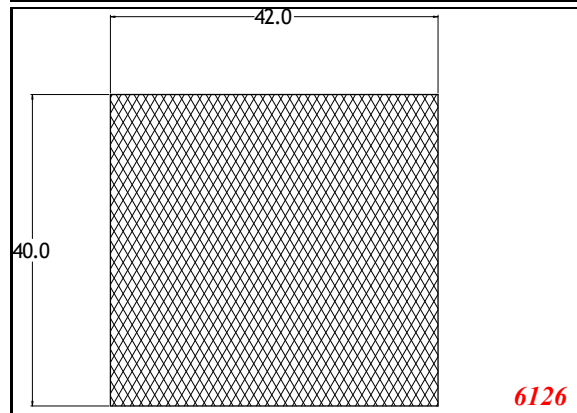
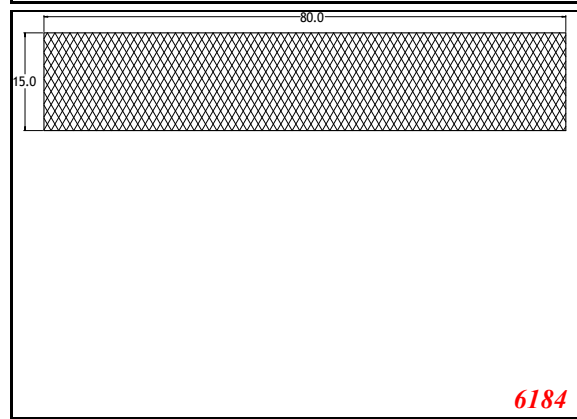
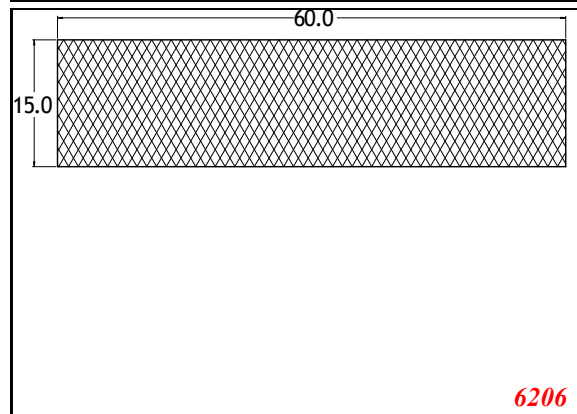
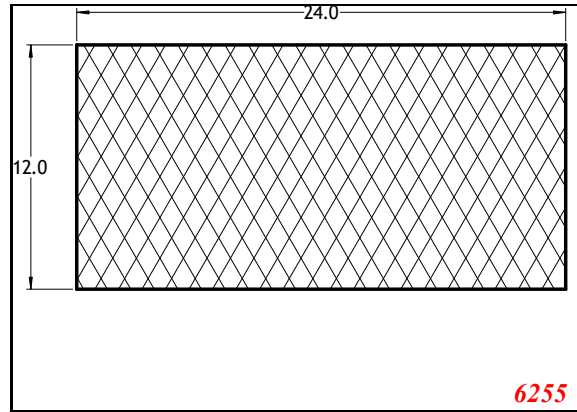
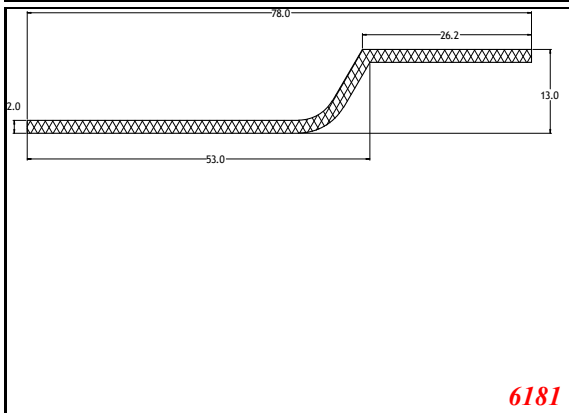
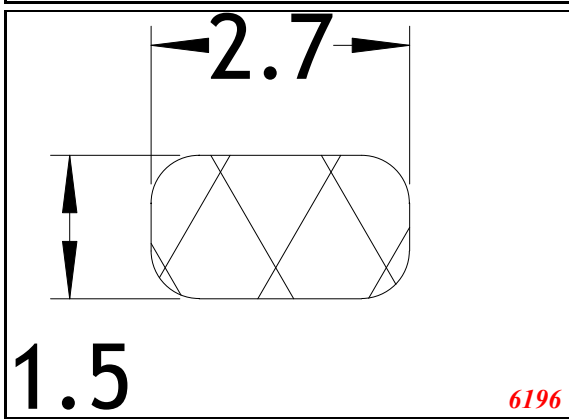
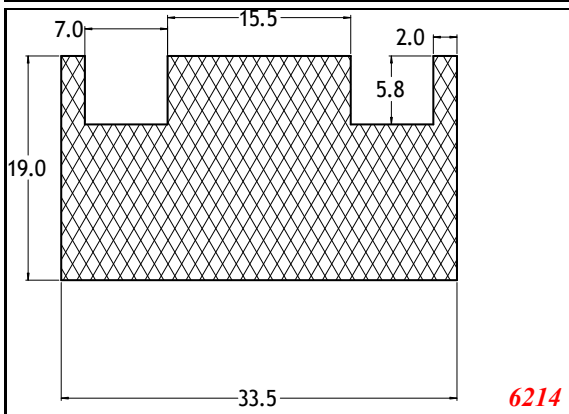
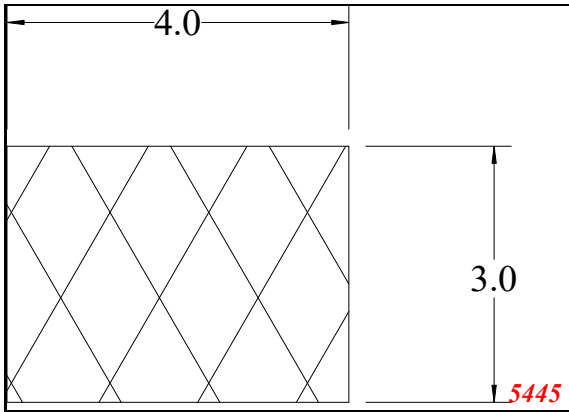
Strip



Strip

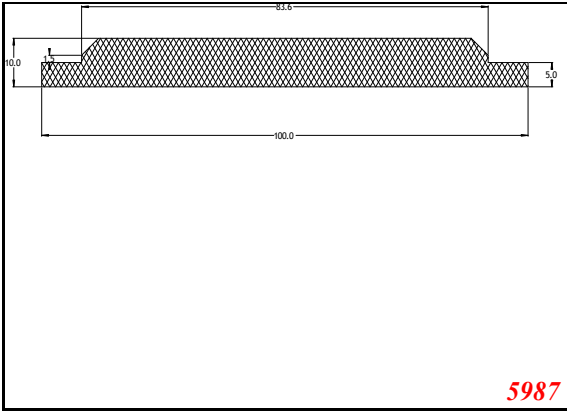


Strip

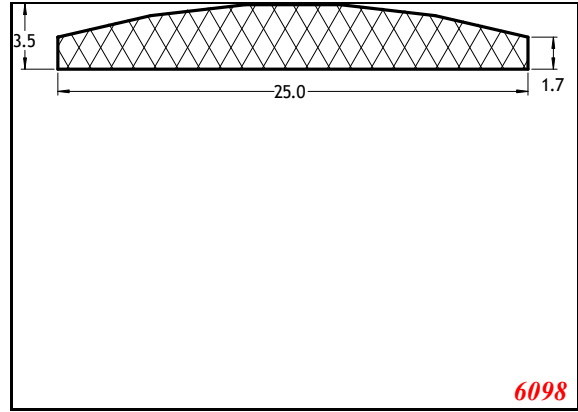




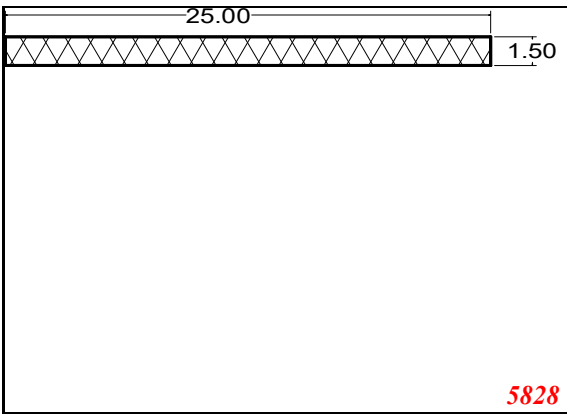
*Strip*



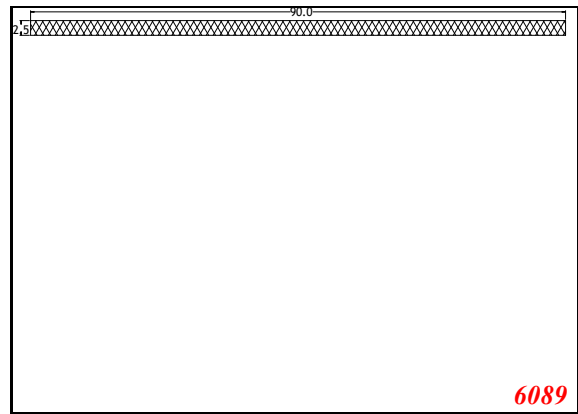
5987



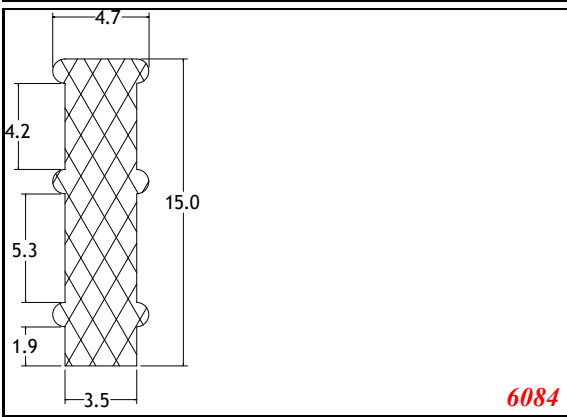
6098



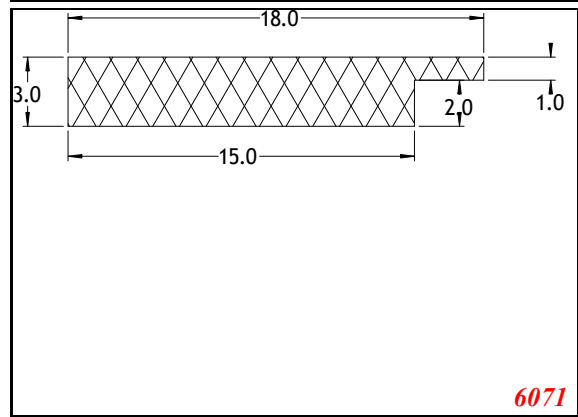
5828



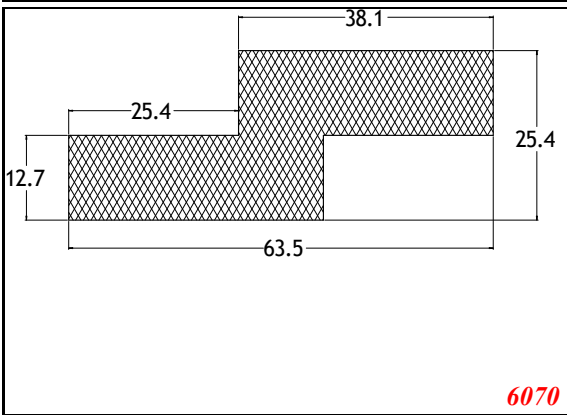
6089



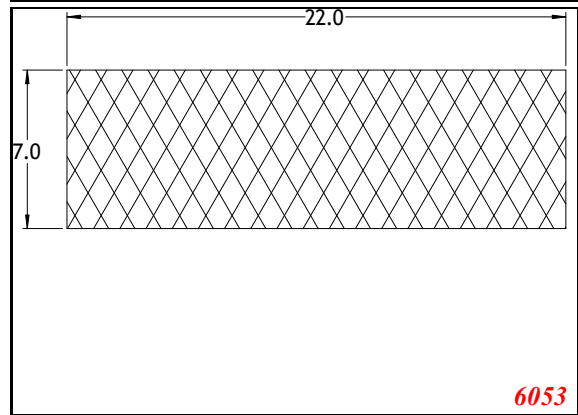
6084



6071

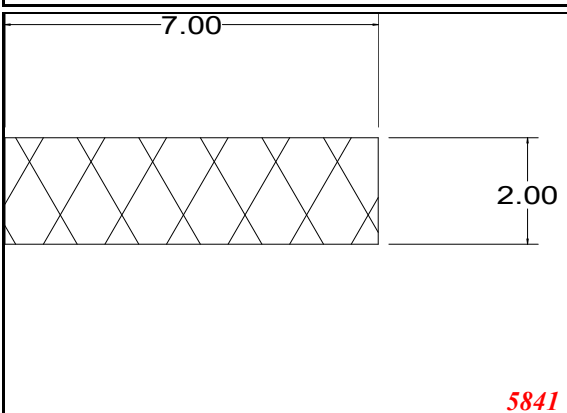
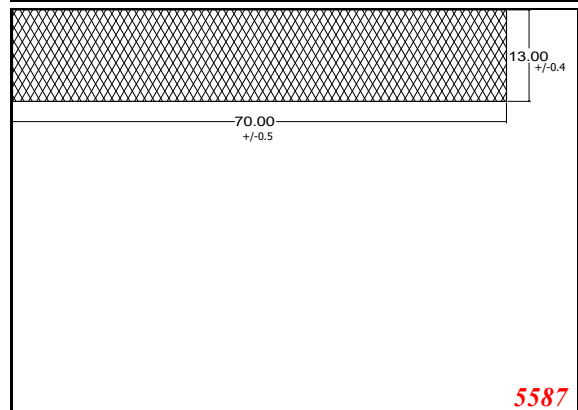
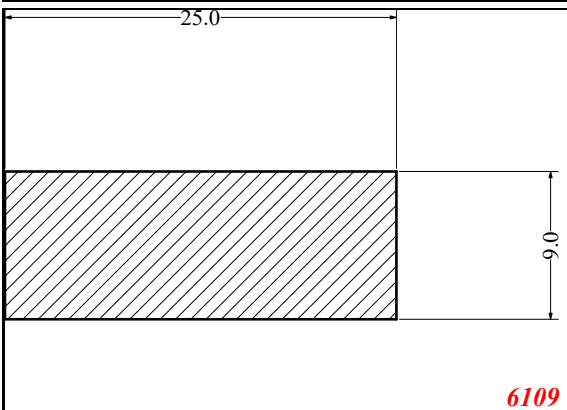
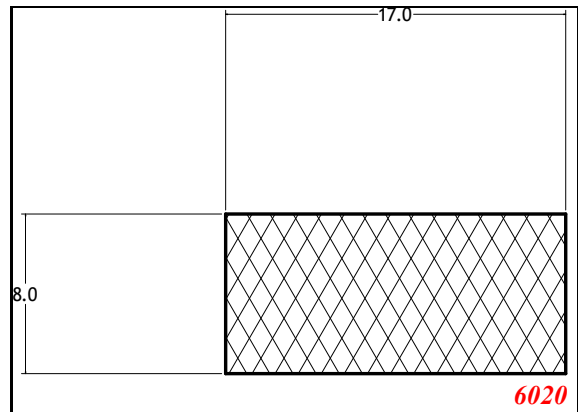
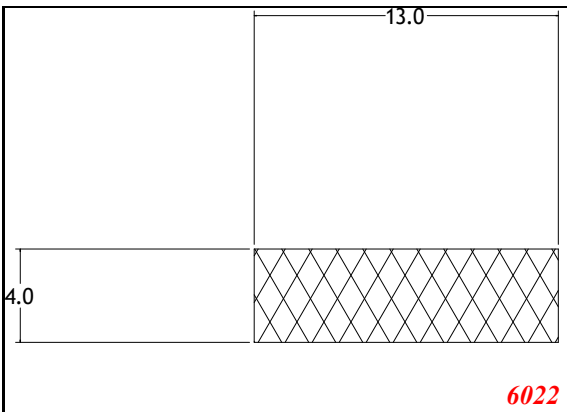
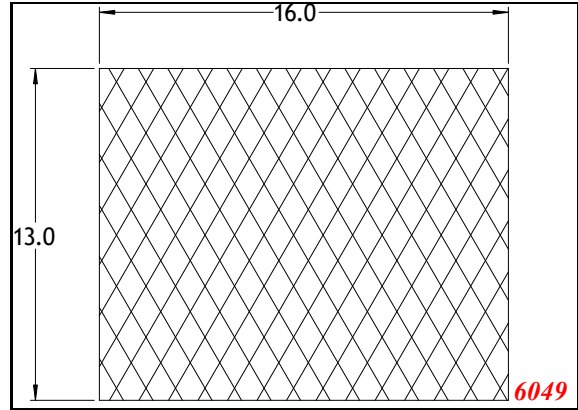
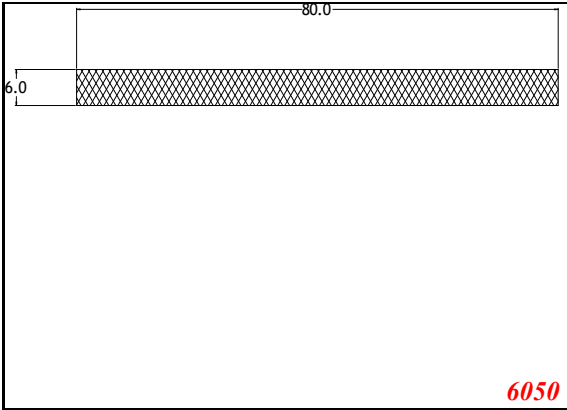


6070

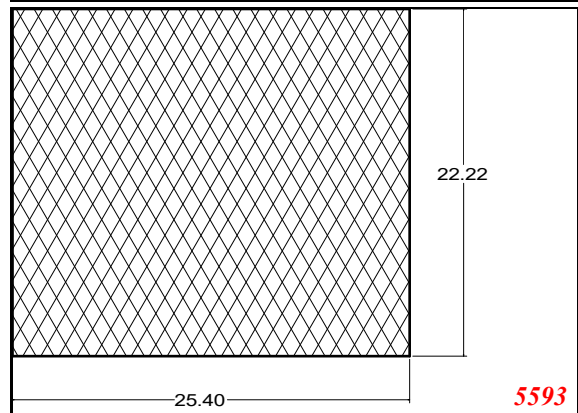
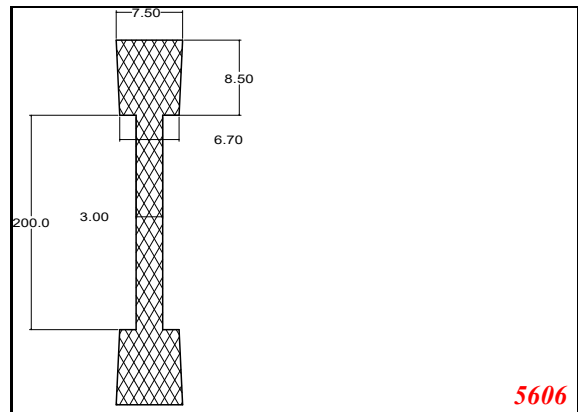
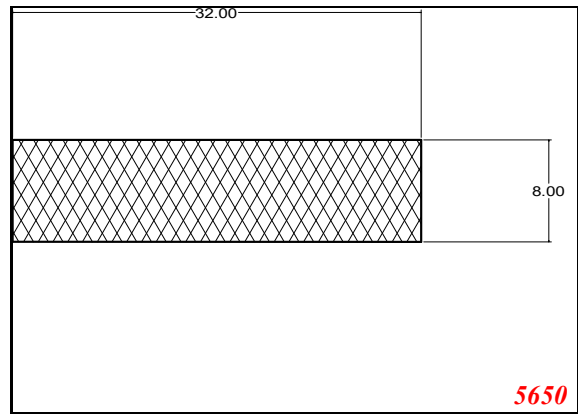
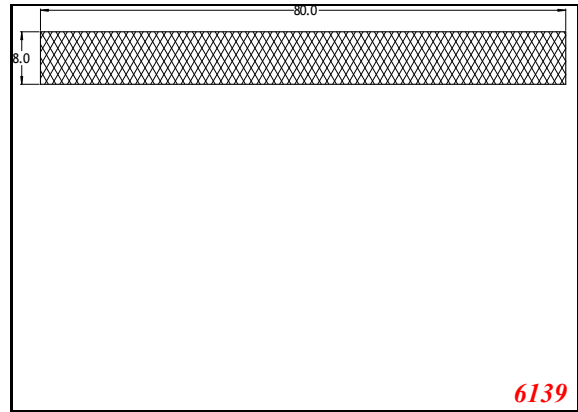
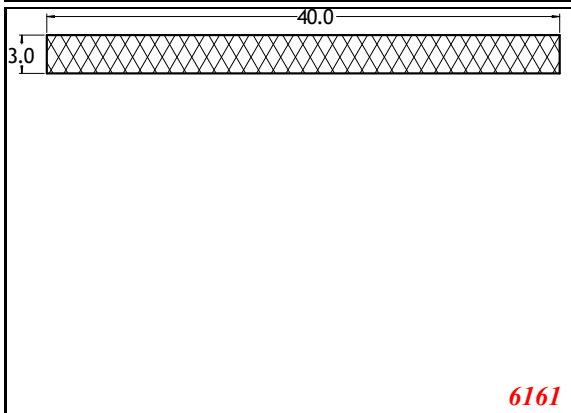
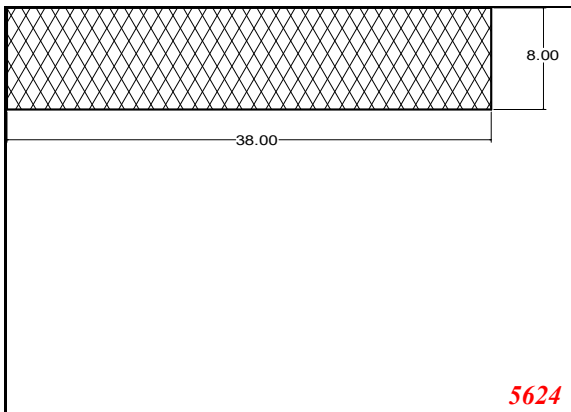
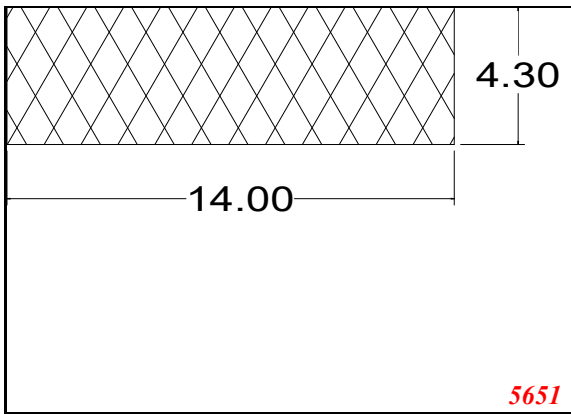
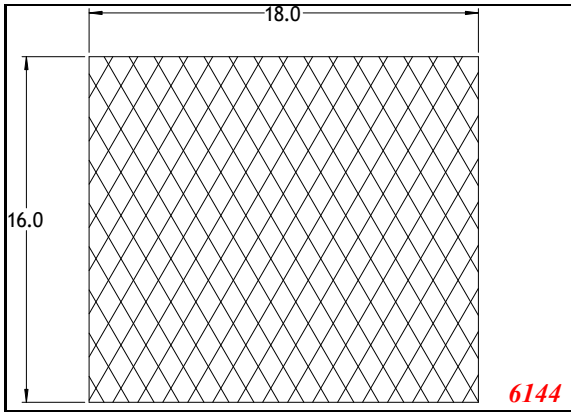


6053

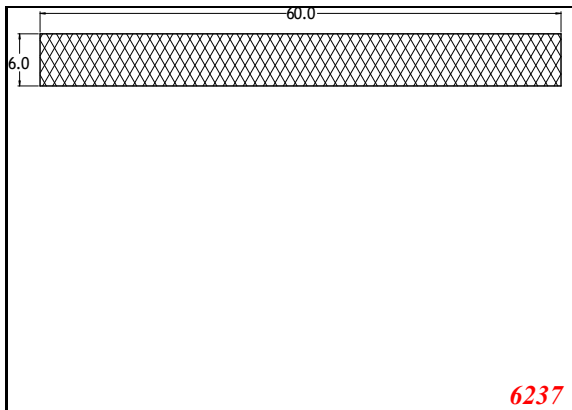
Strip



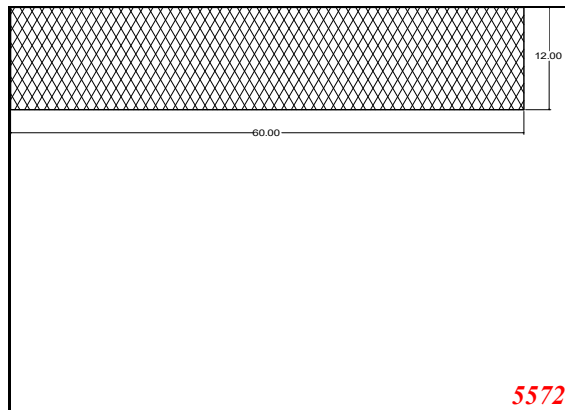
Strip



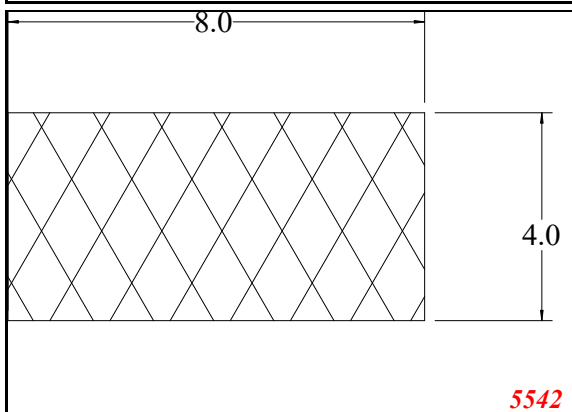
Strip



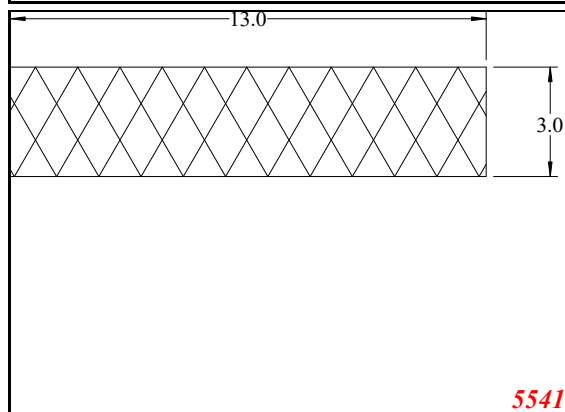
6237



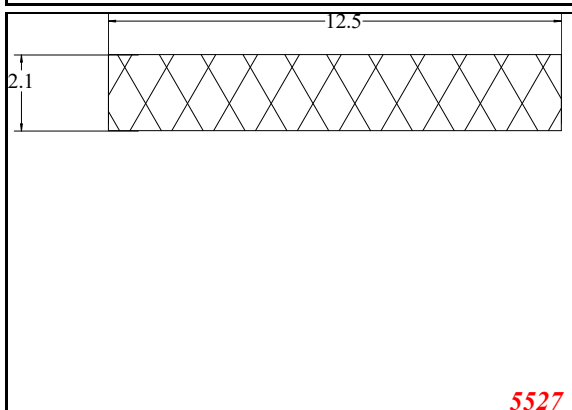
5572



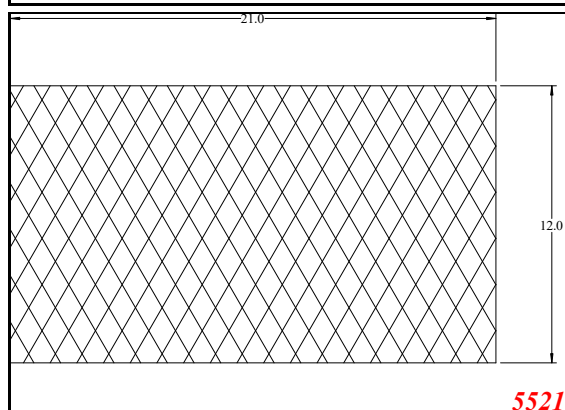
5542



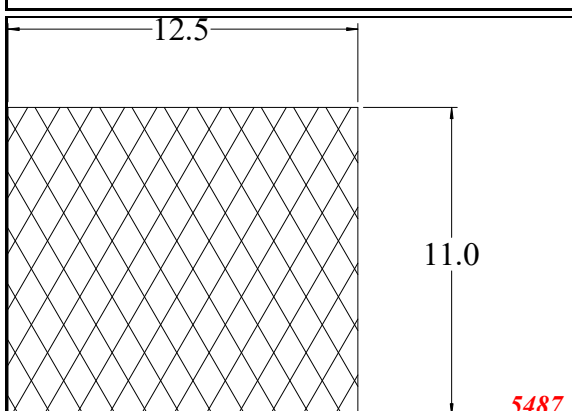
5541



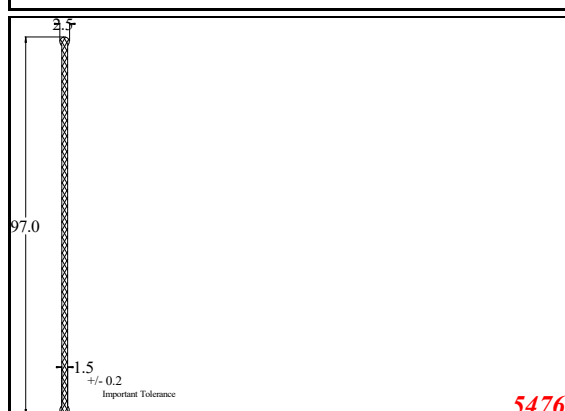
5527



5521

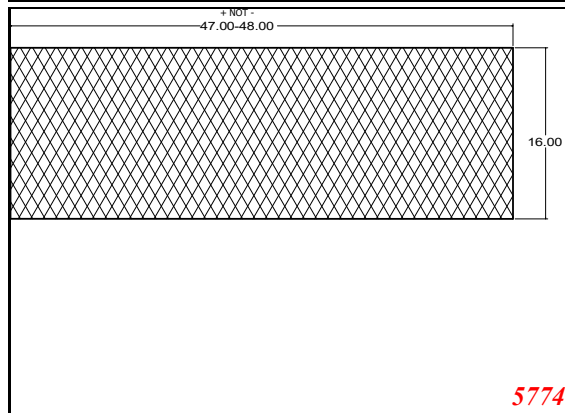
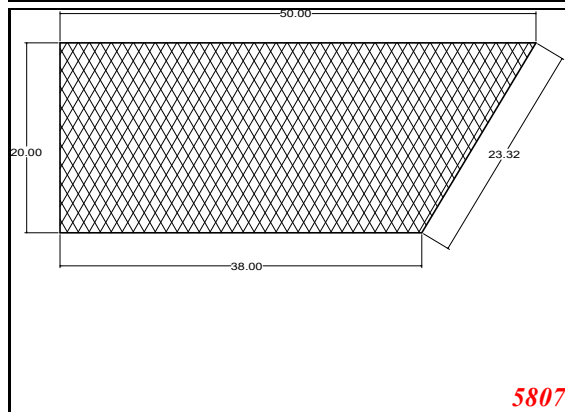
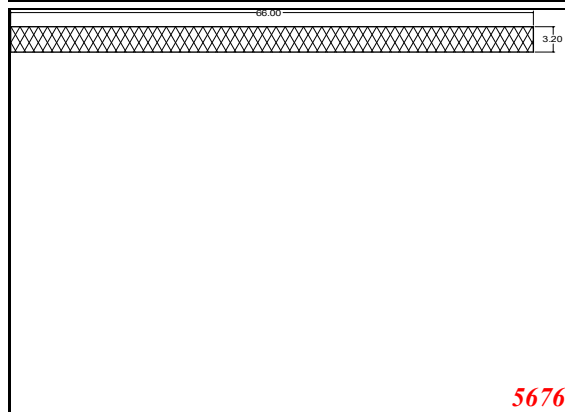
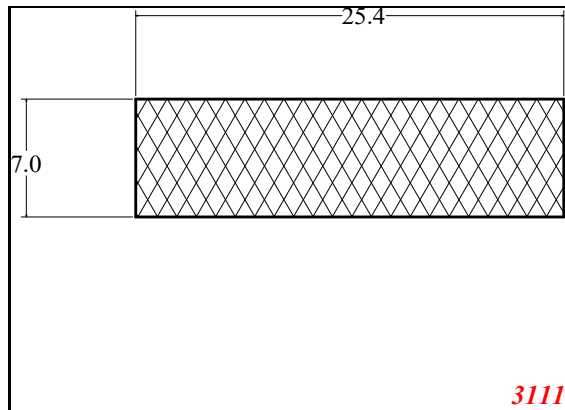
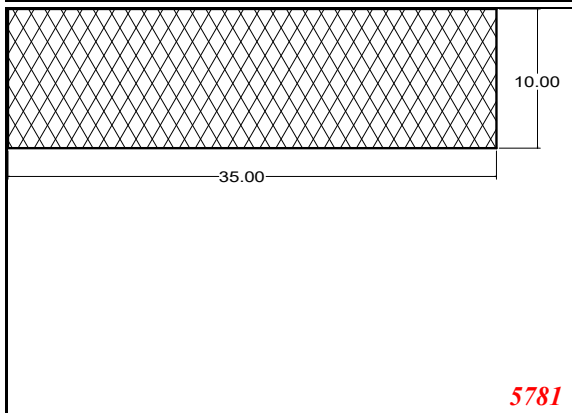
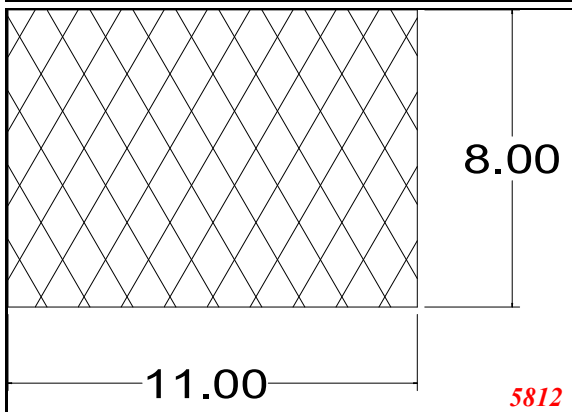
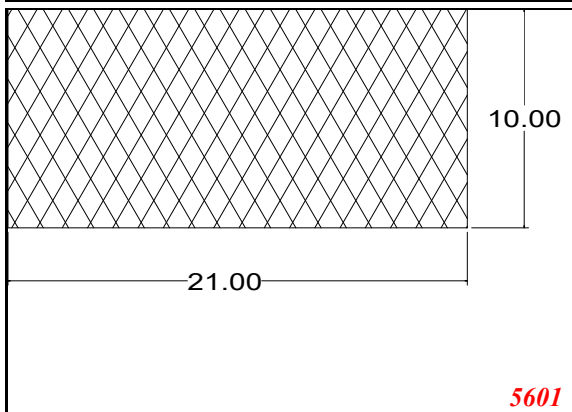
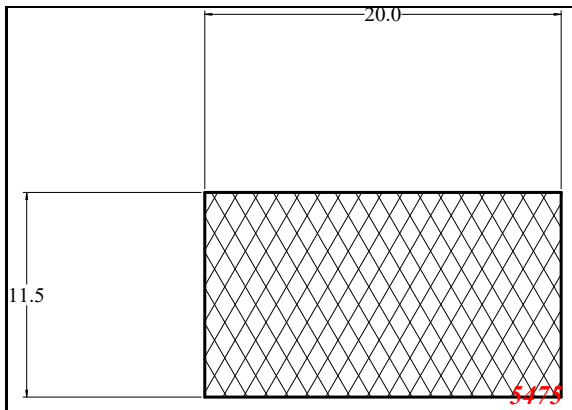


5487

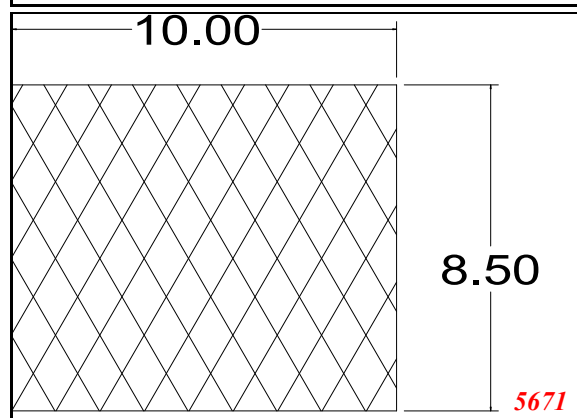
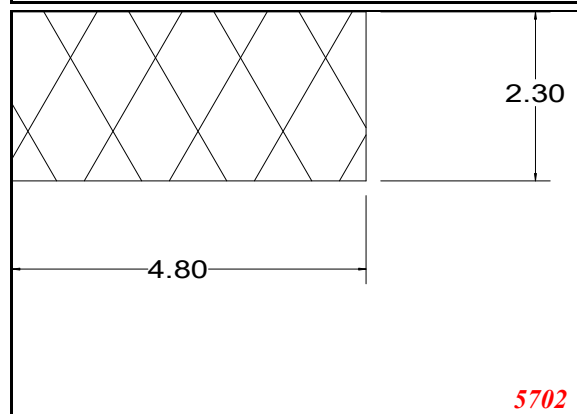
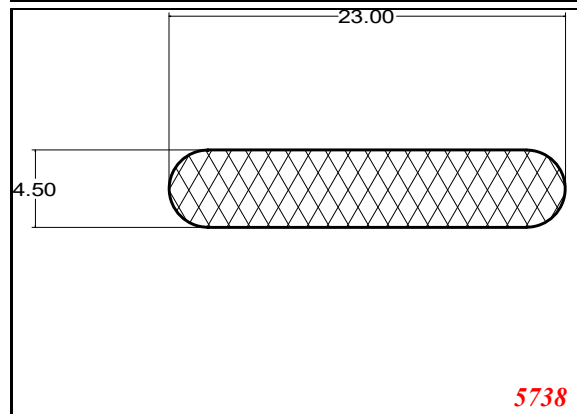
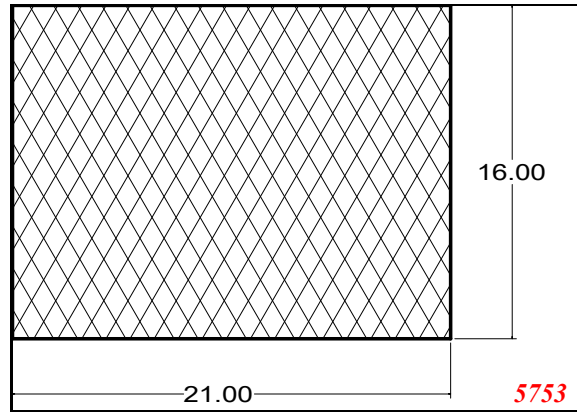
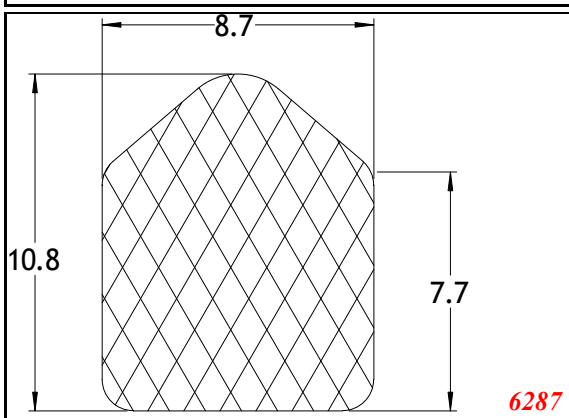
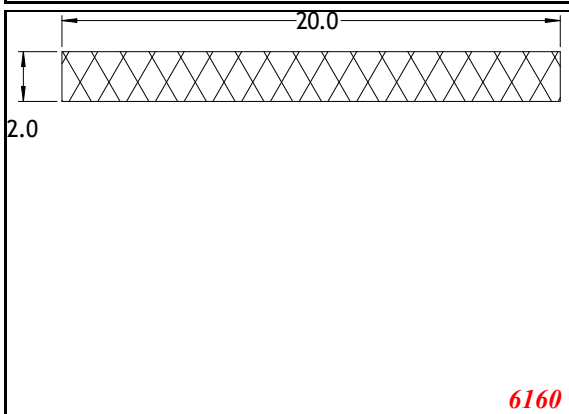
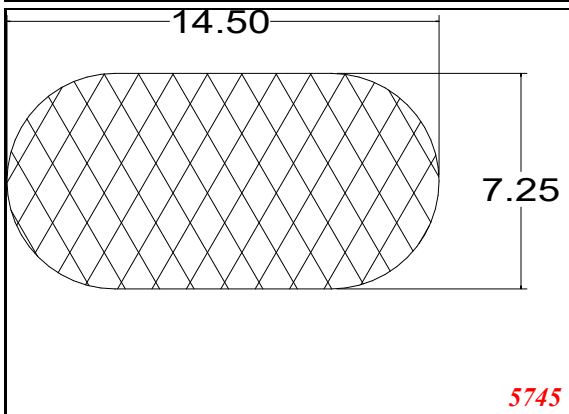
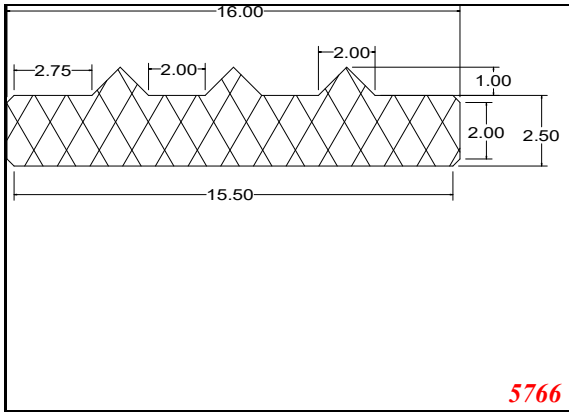


5476

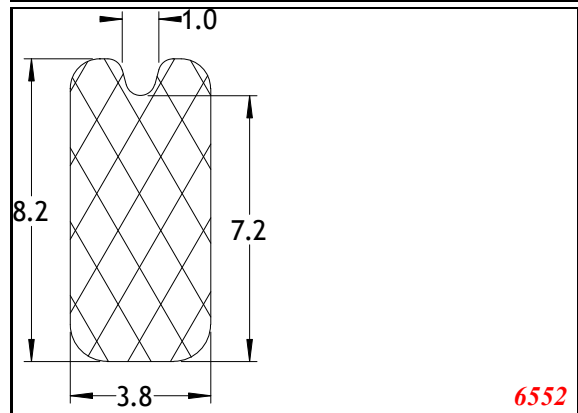
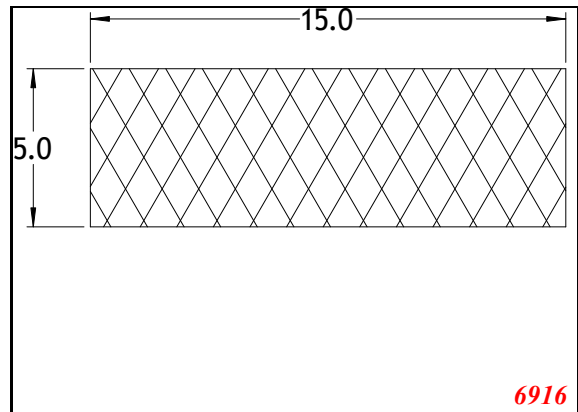
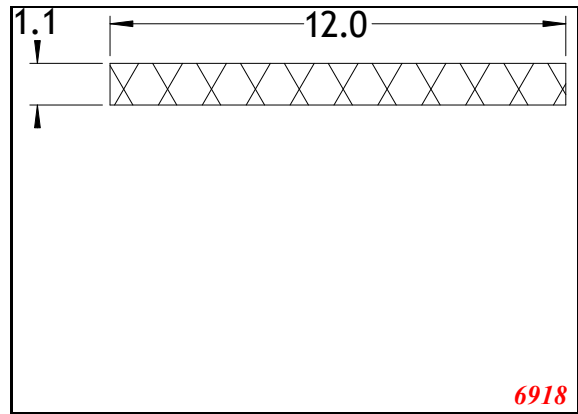
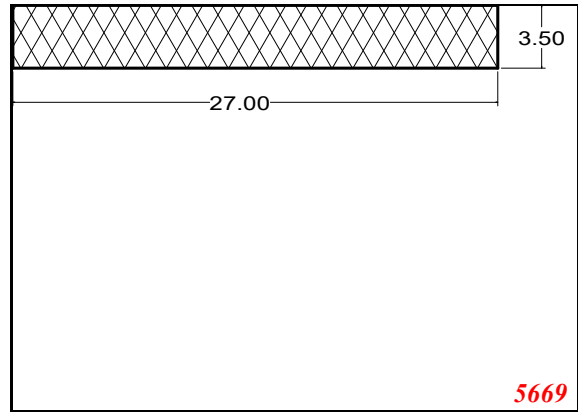
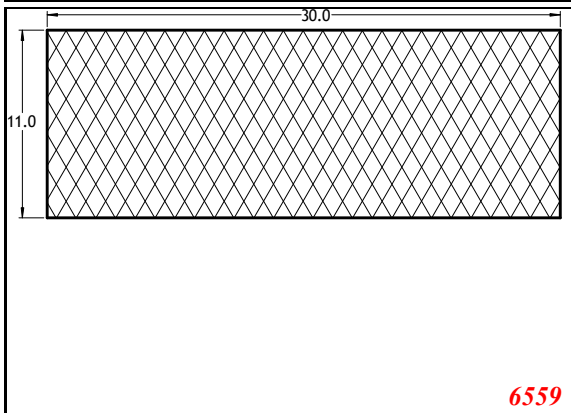
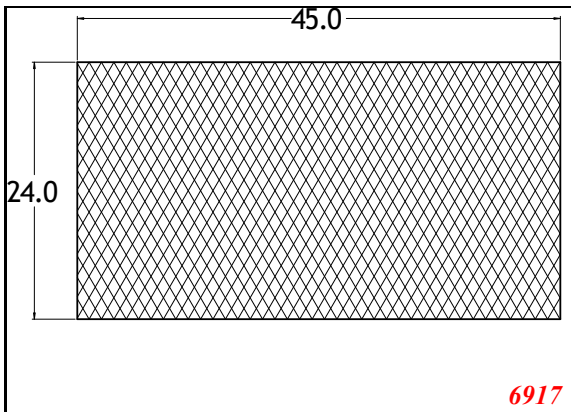
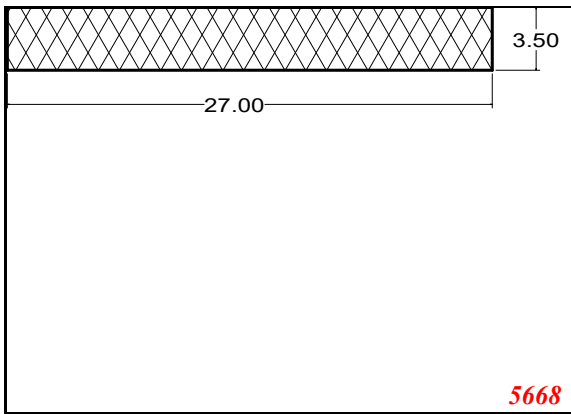
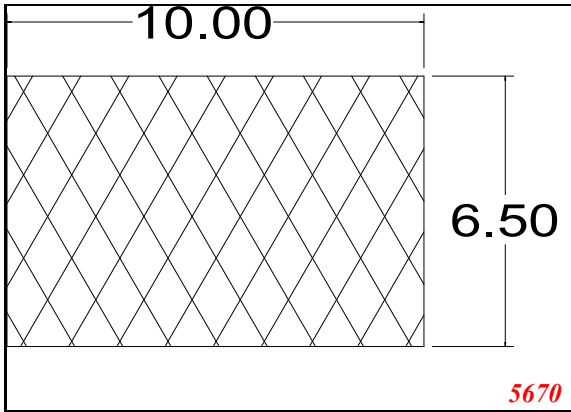
Strip



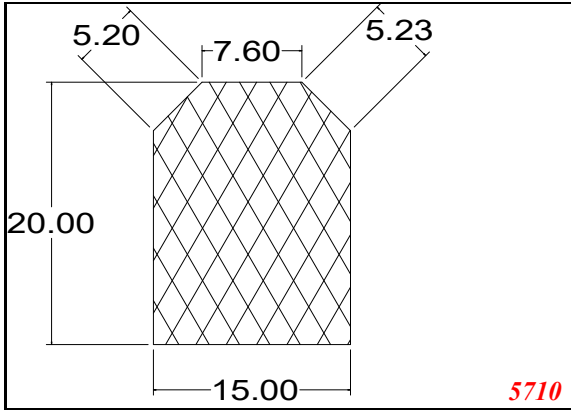
*Strip*



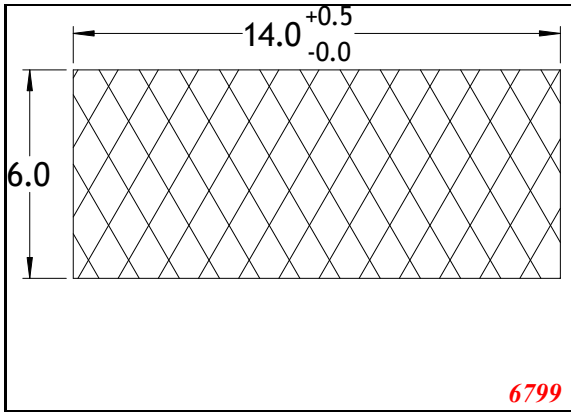
Strip



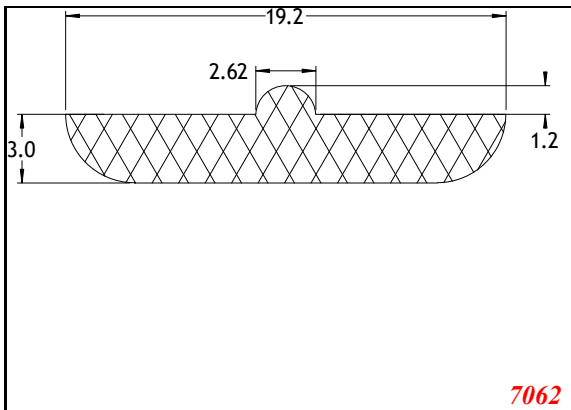
Strip



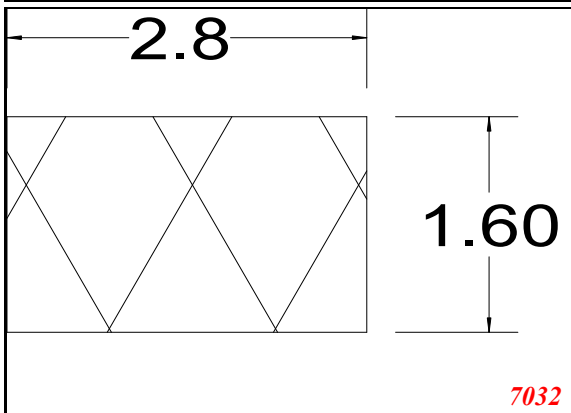
5710



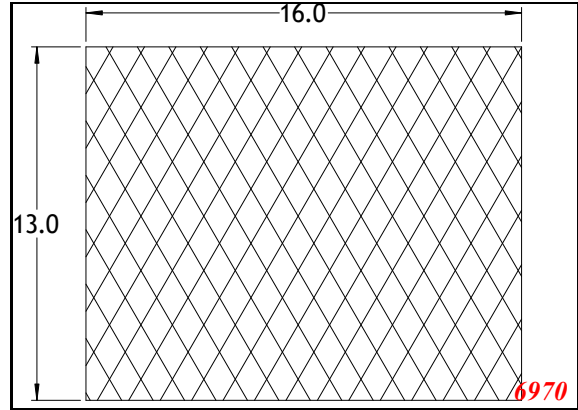
6799



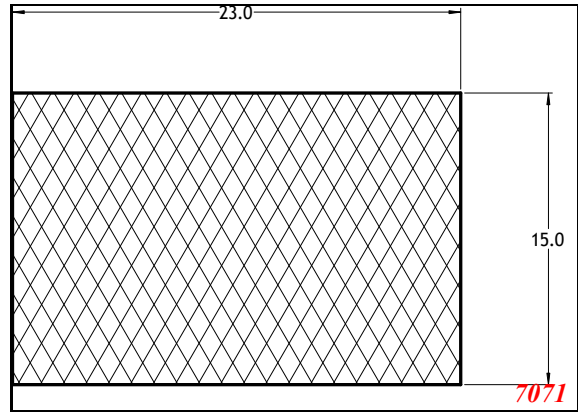
7062



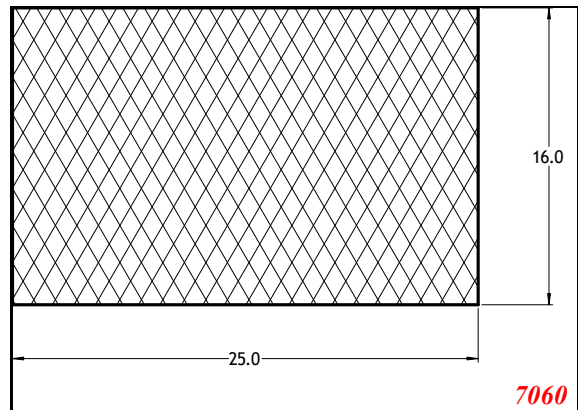
7032



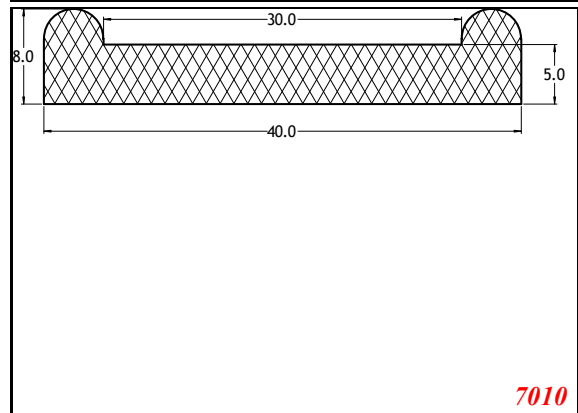
6970



7071



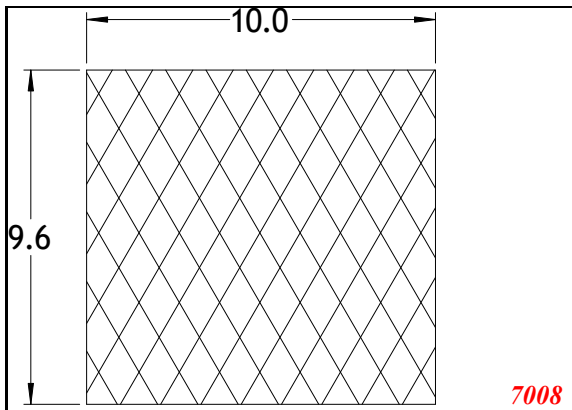
7060



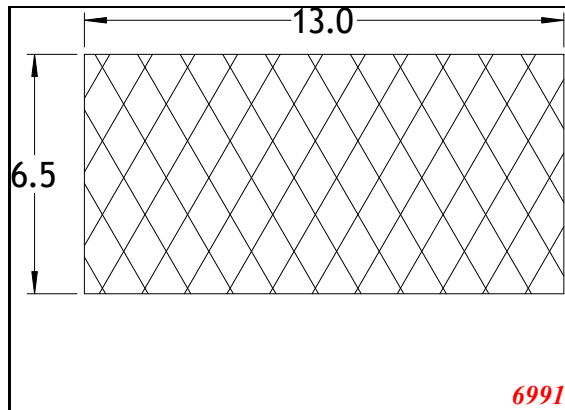
7010



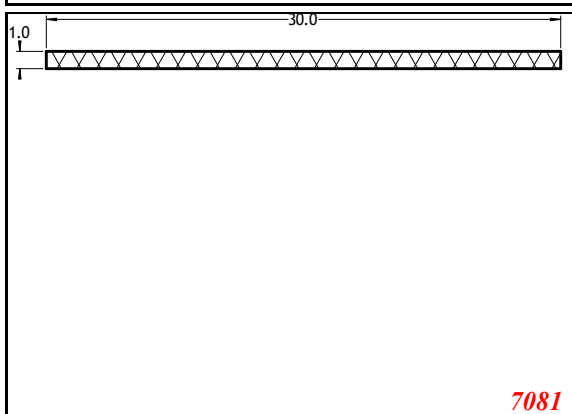
Strip



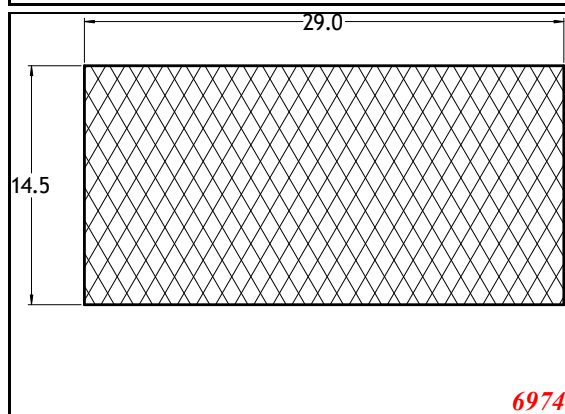
7008



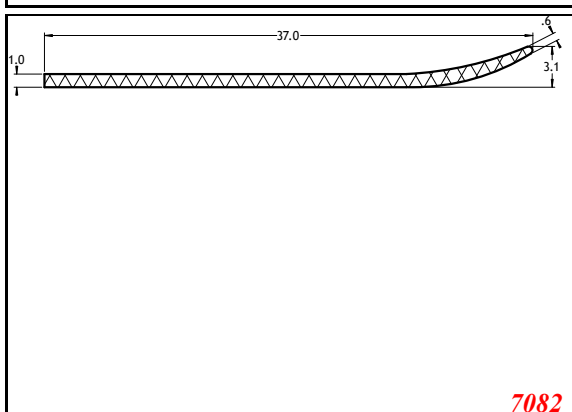
6991



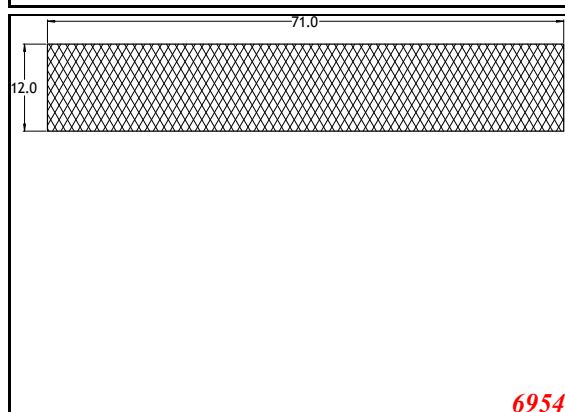
7081



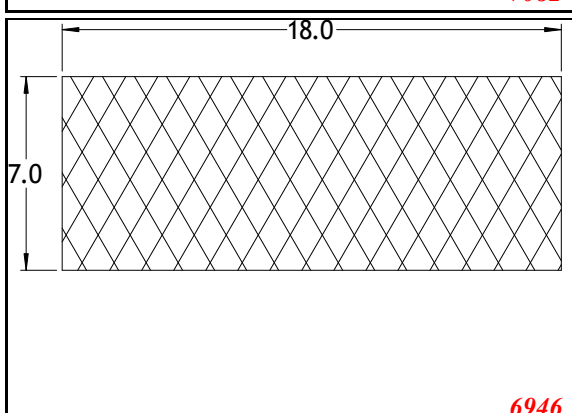
6974



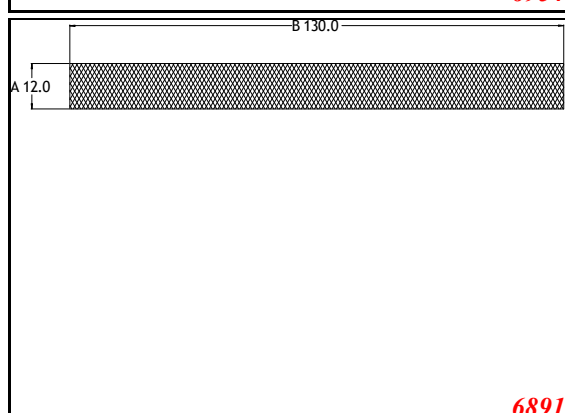
7082



6954

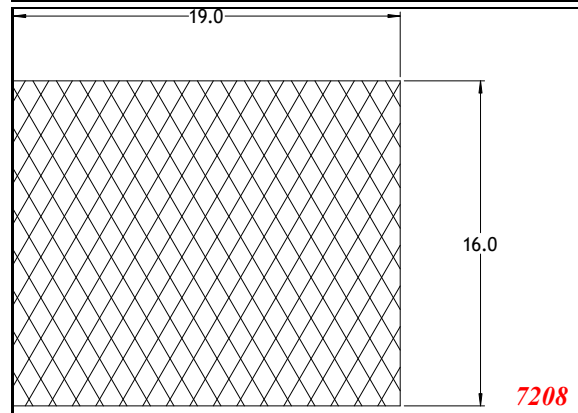
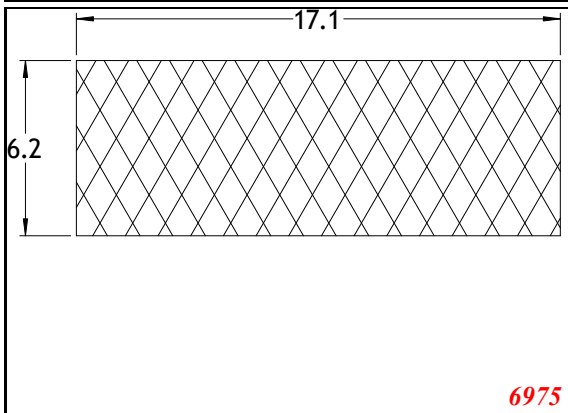
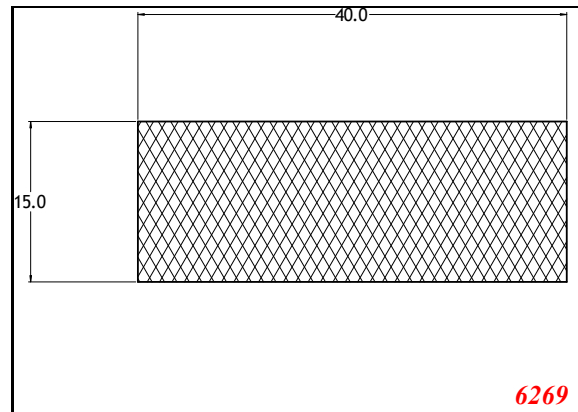
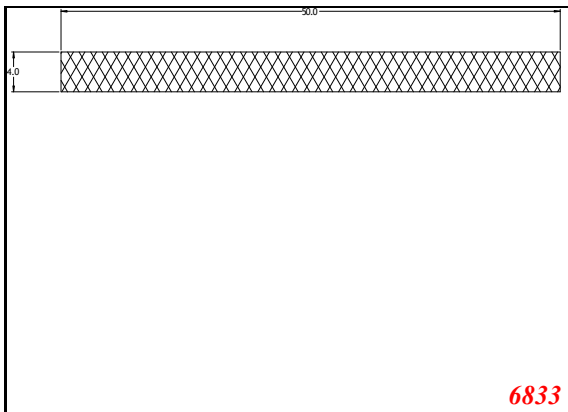
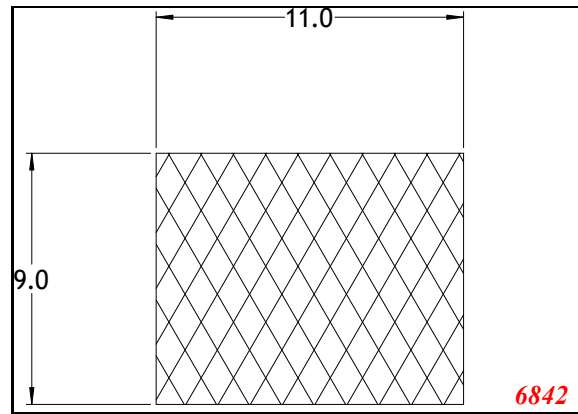
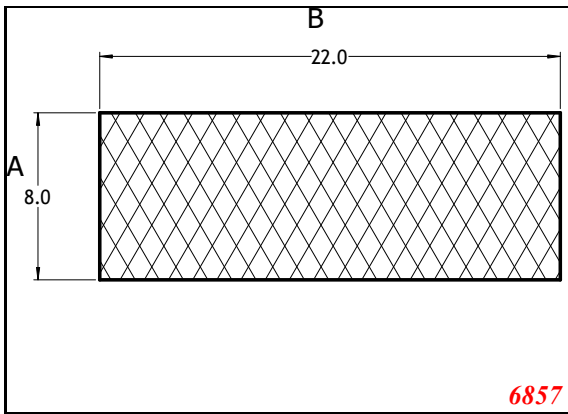
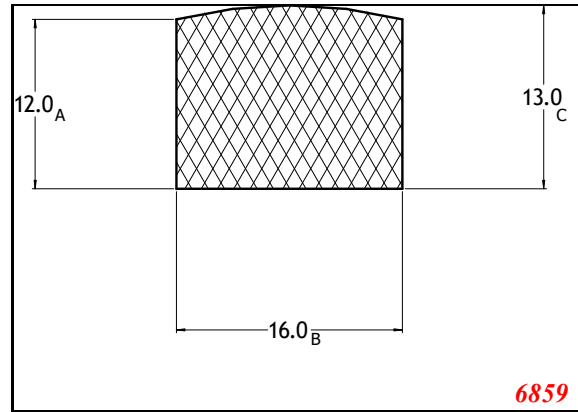
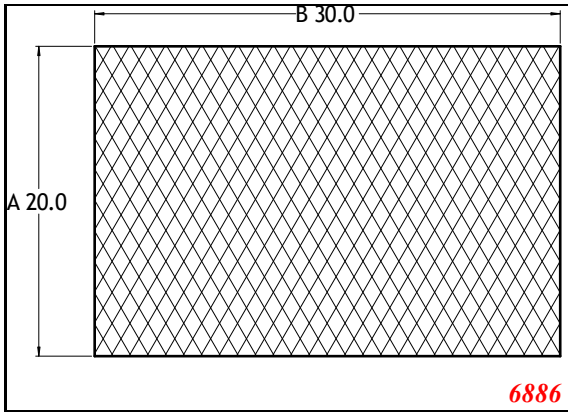


6946

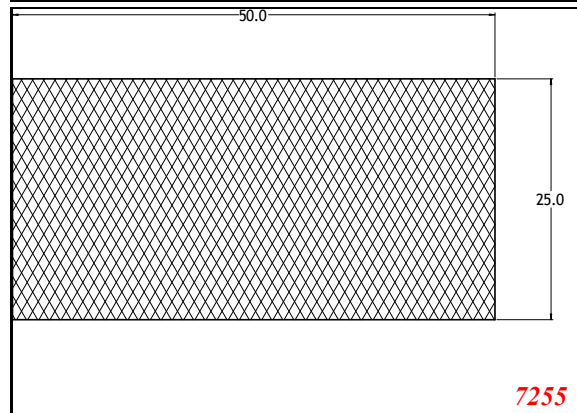
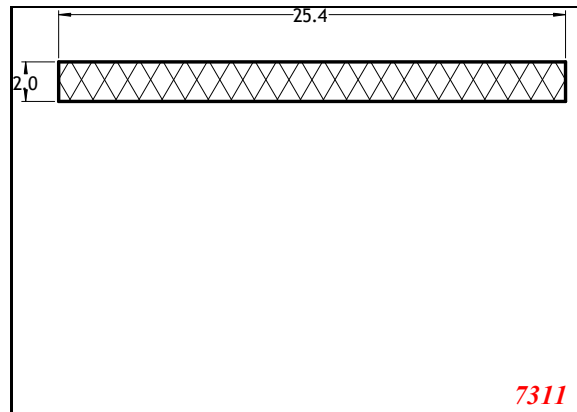
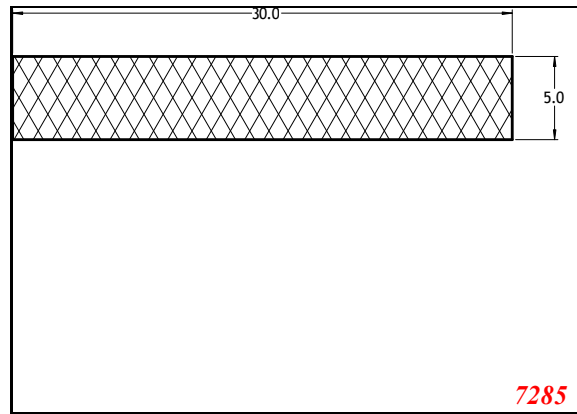
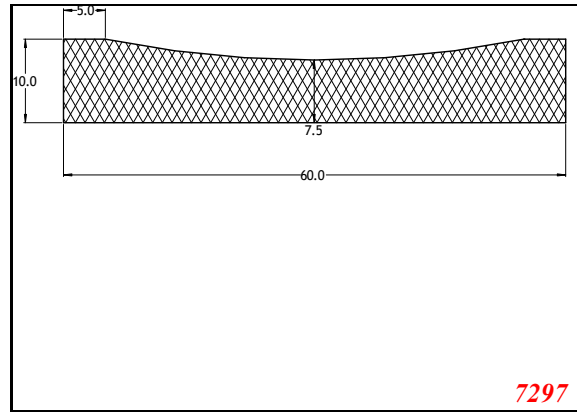
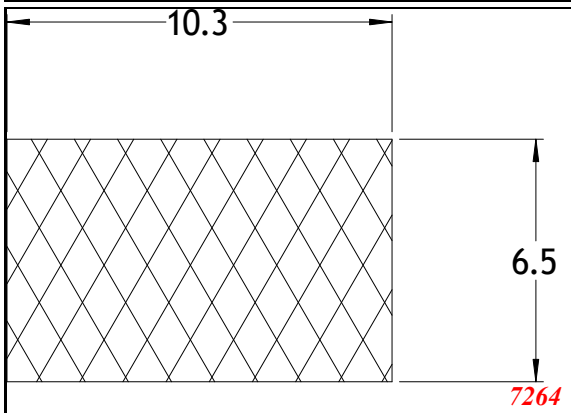
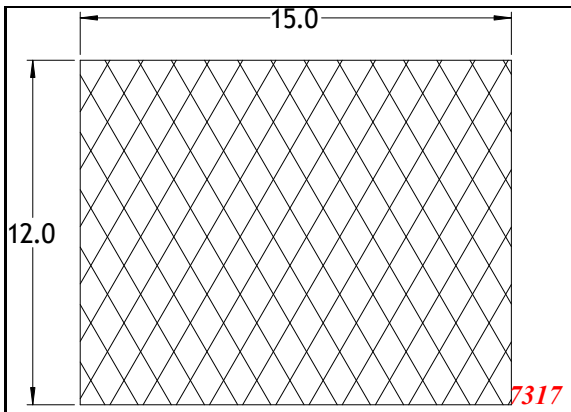
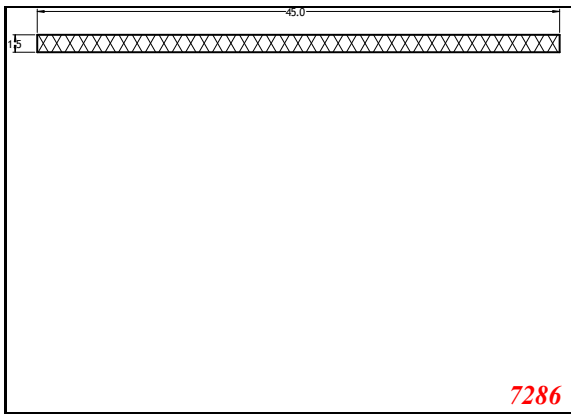
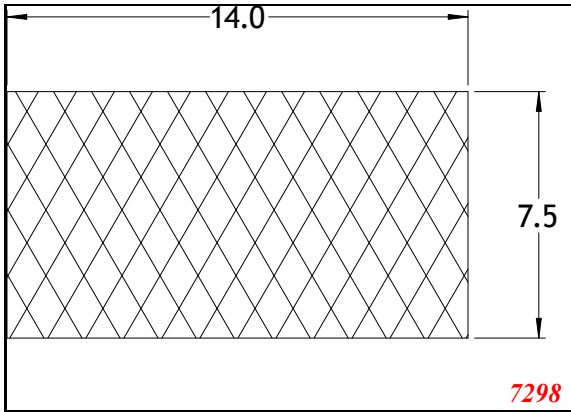


6891

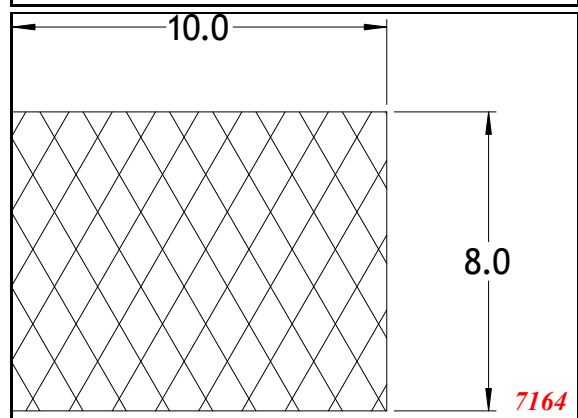
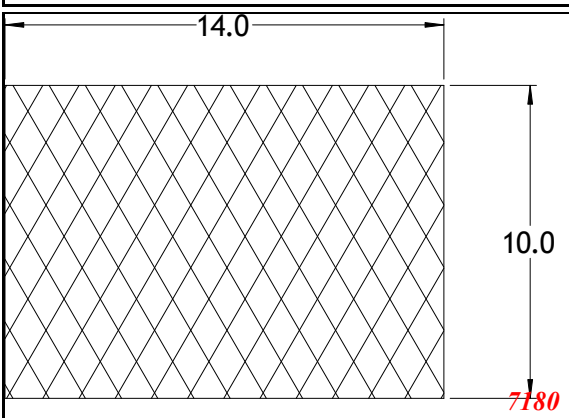
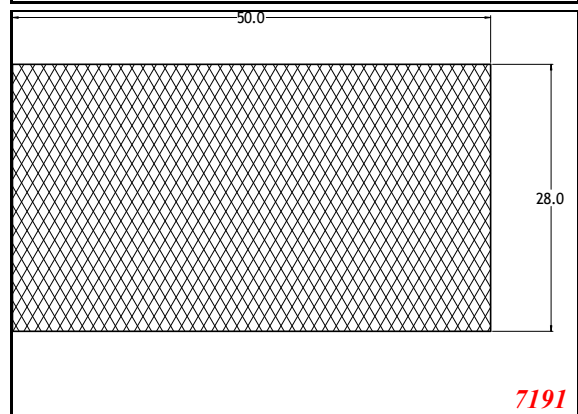
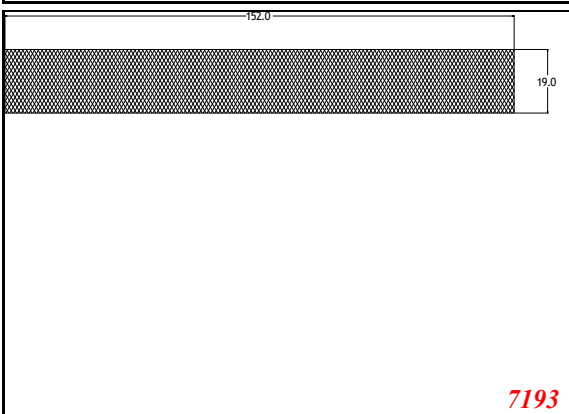
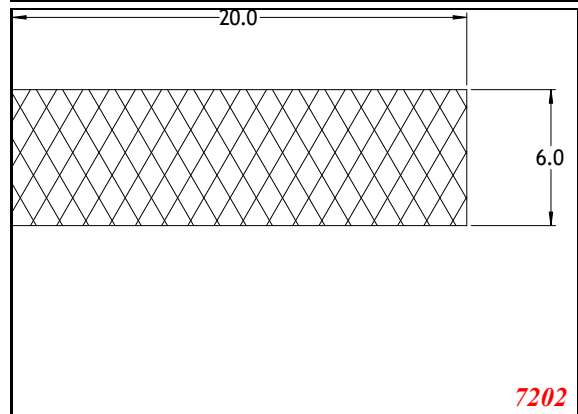
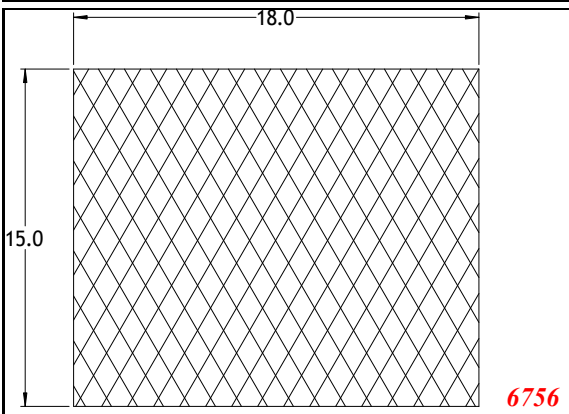
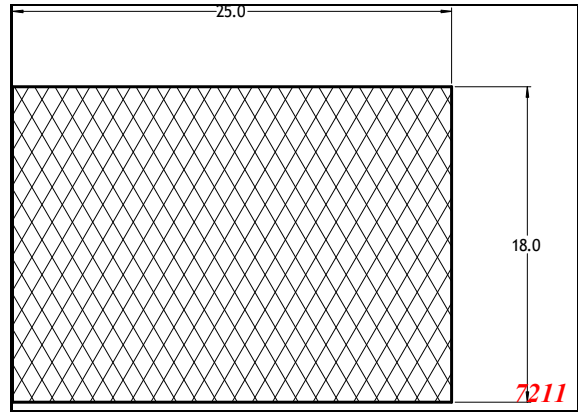
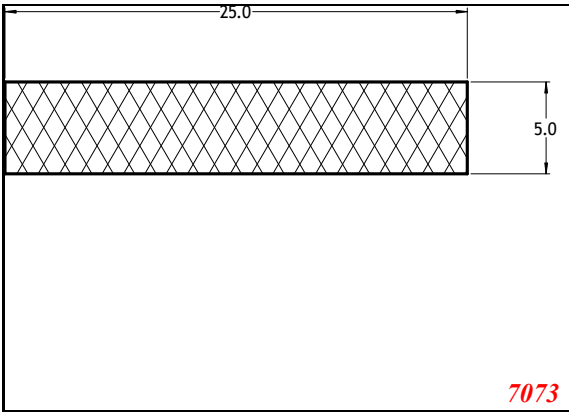
Strip



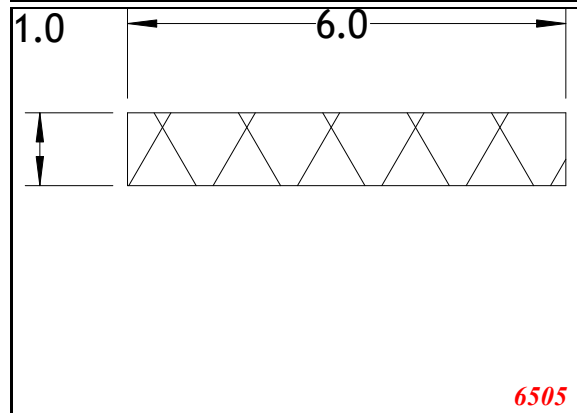
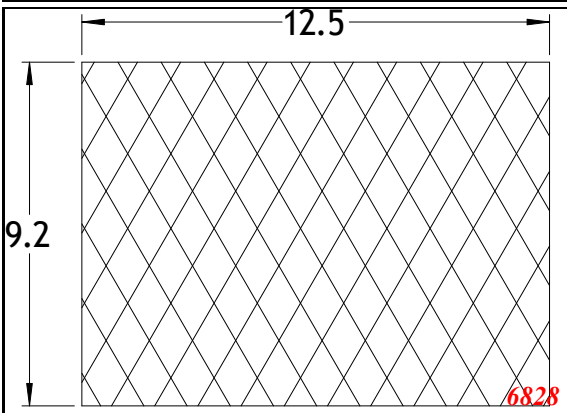
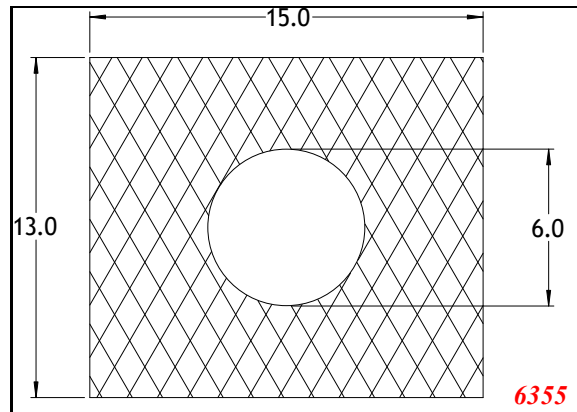
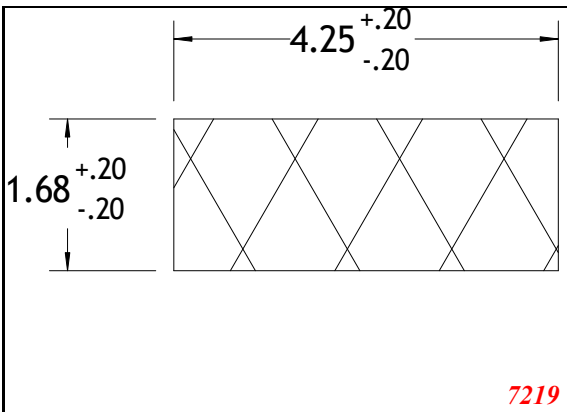
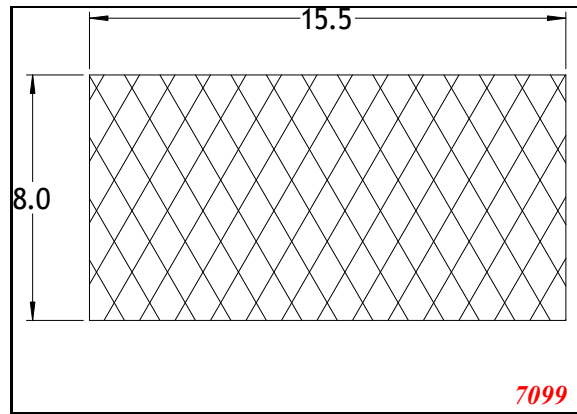
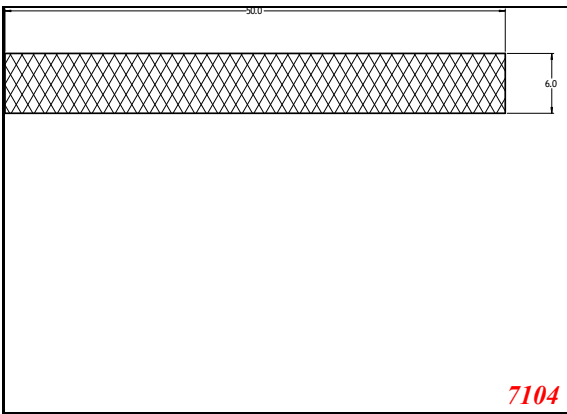
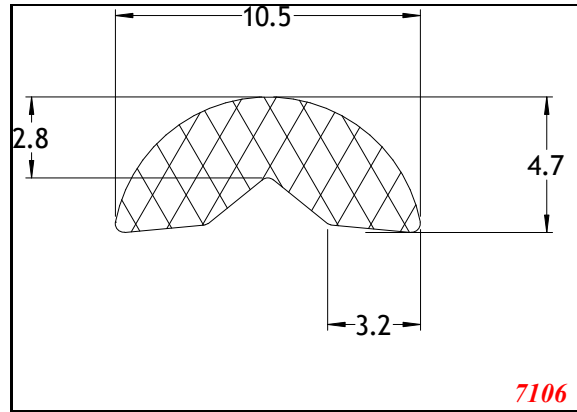
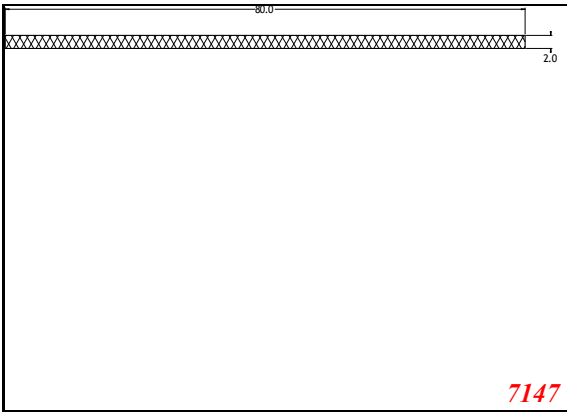
*Strip*



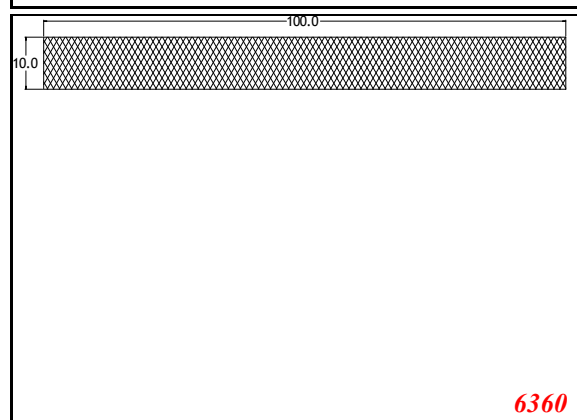
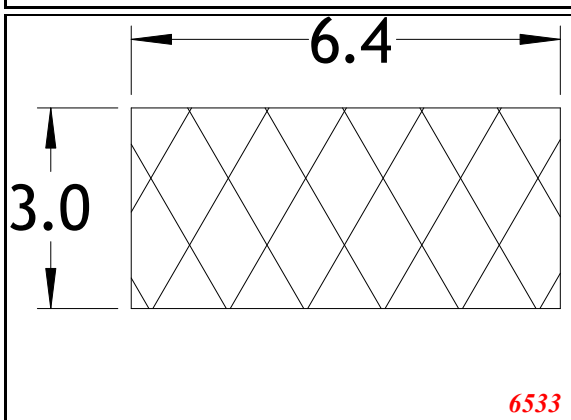
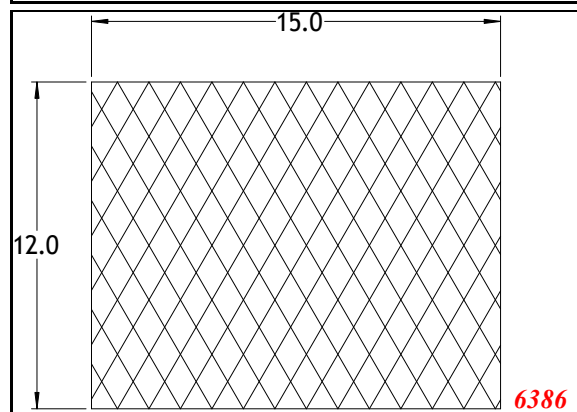
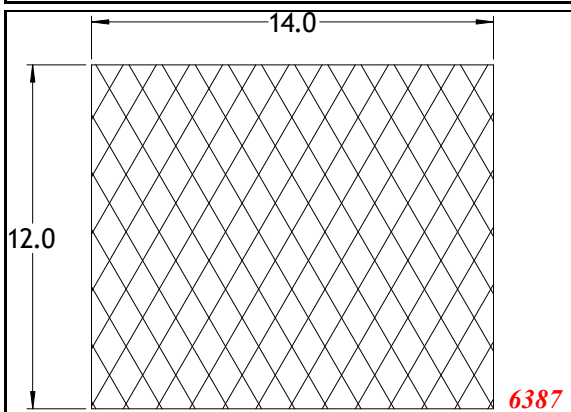
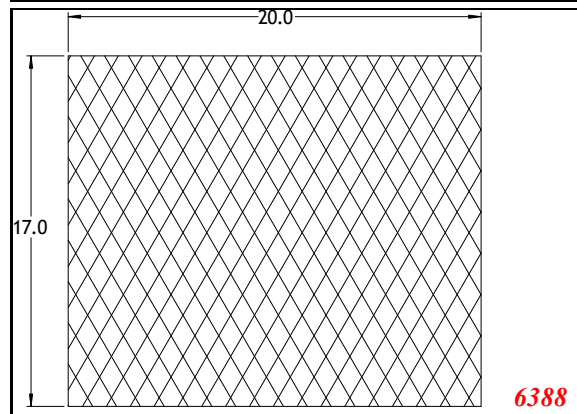
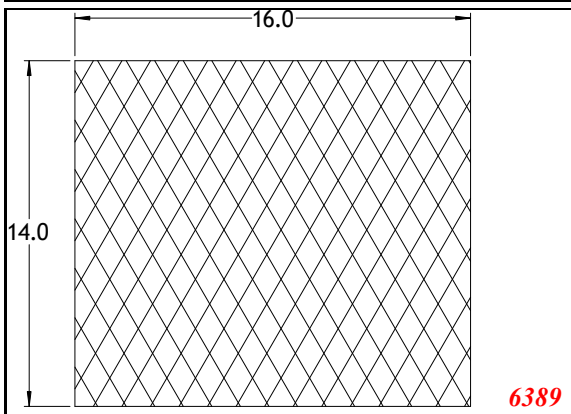
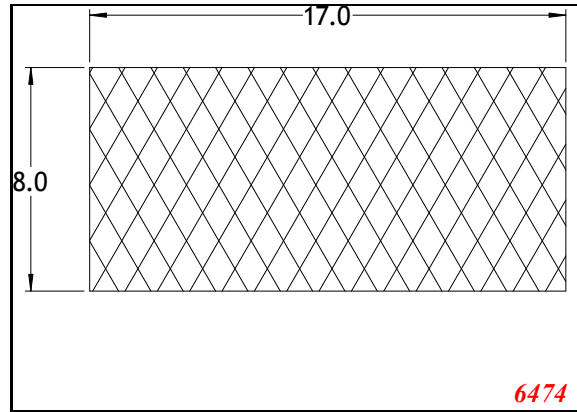
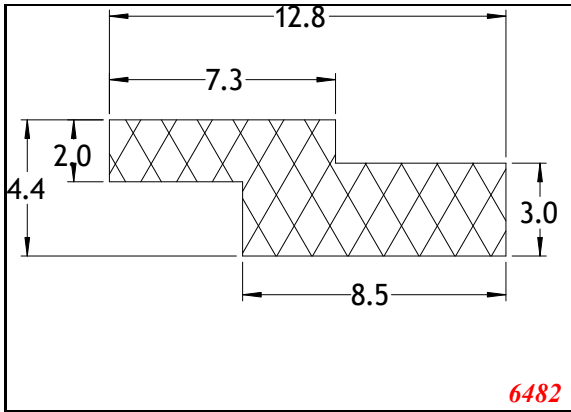
Strip



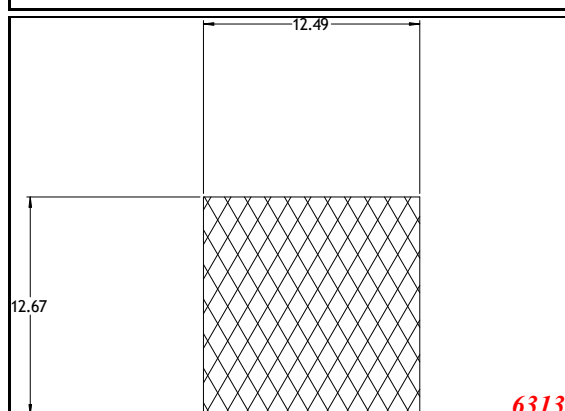
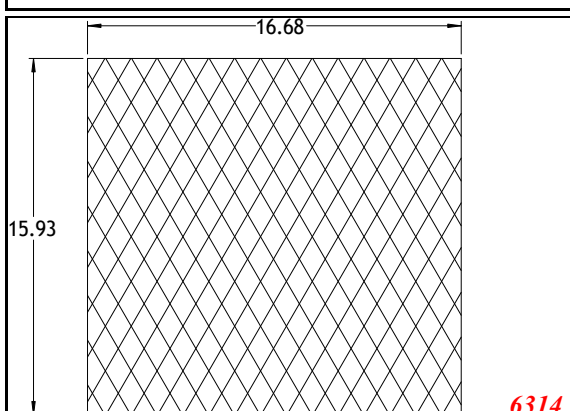
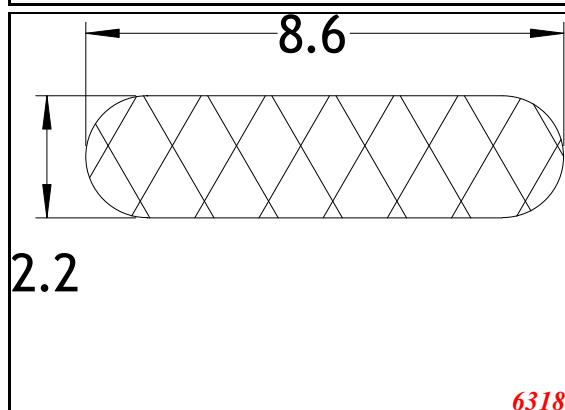
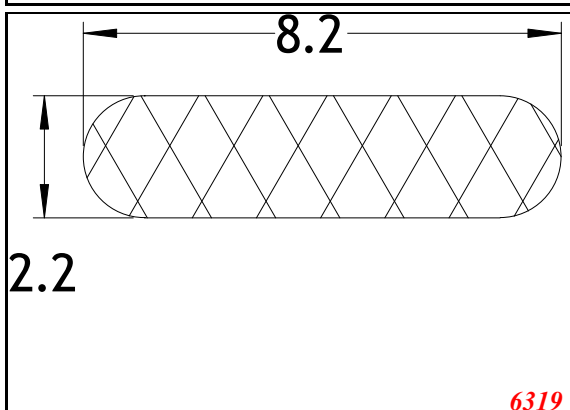
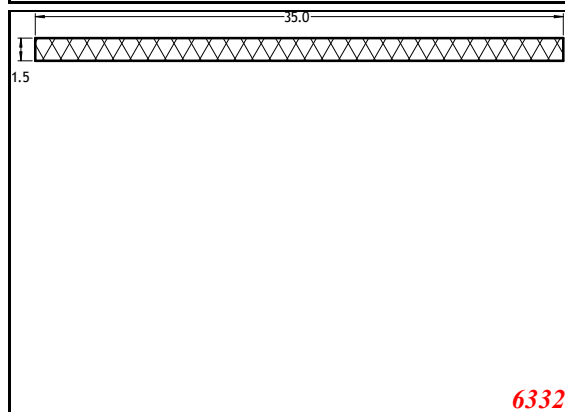
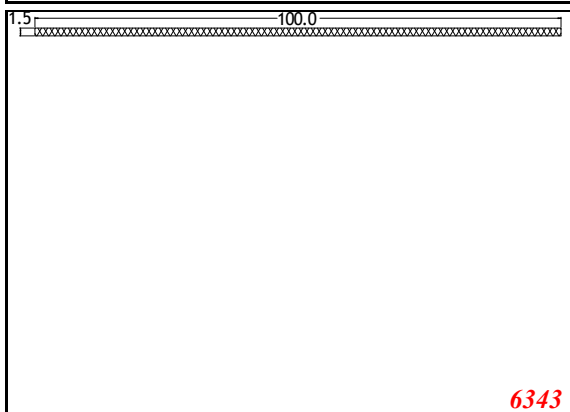
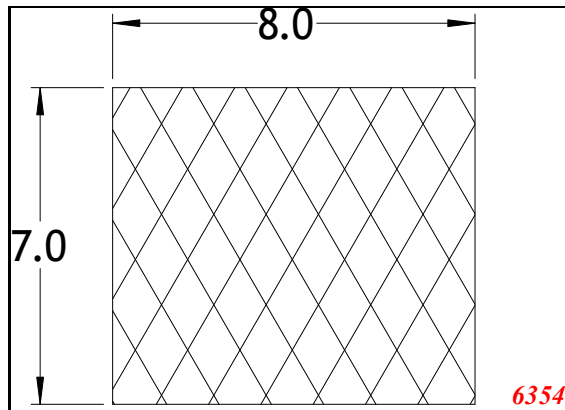
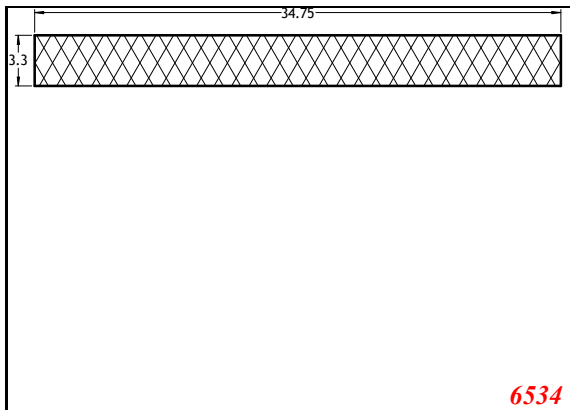
*Strip*



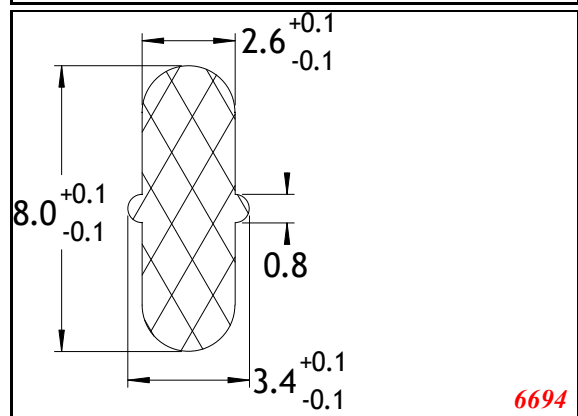
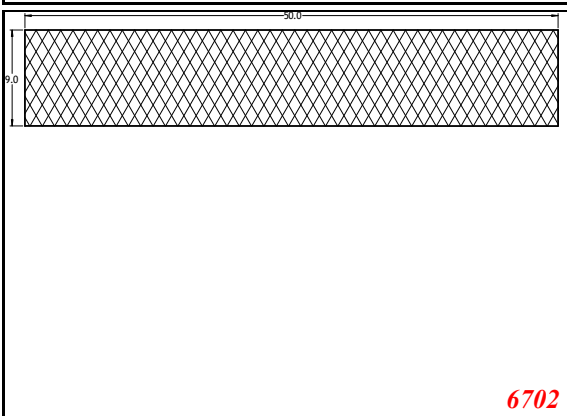
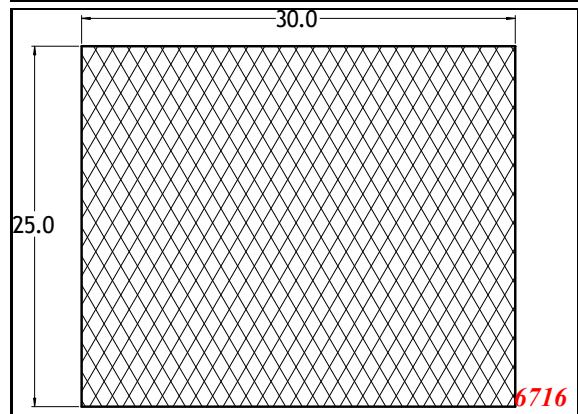
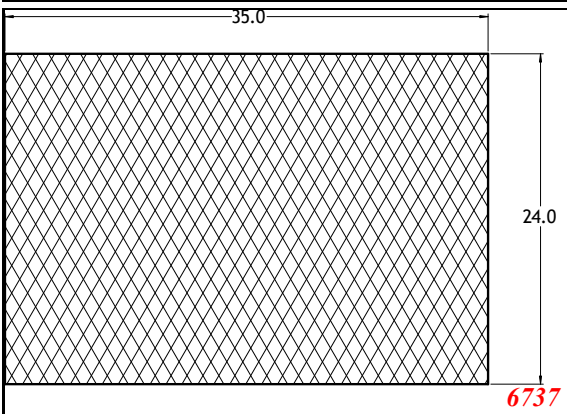
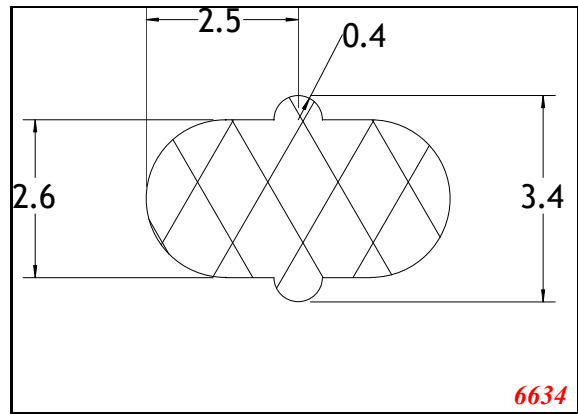
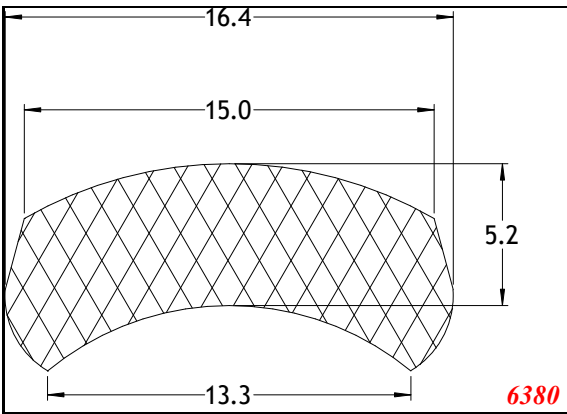
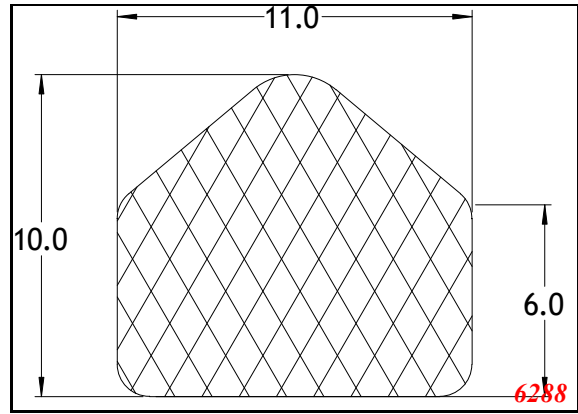
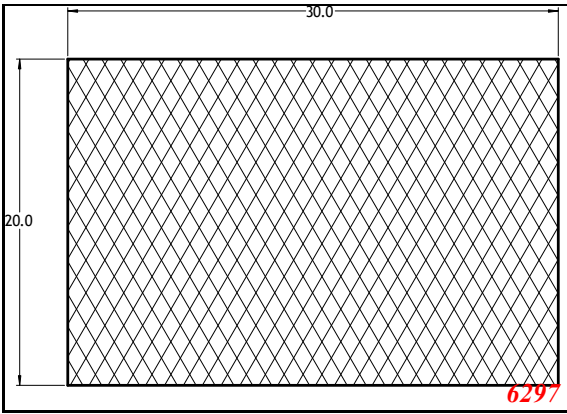
Strip



Strip

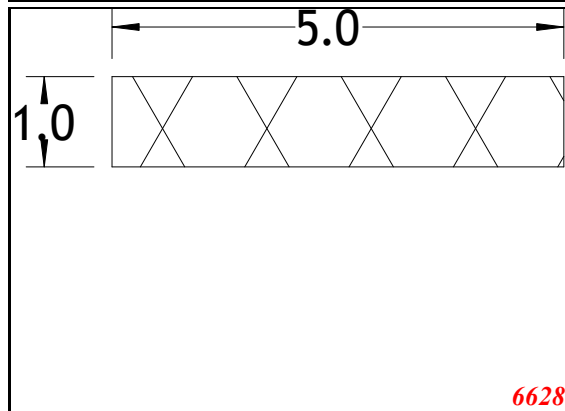
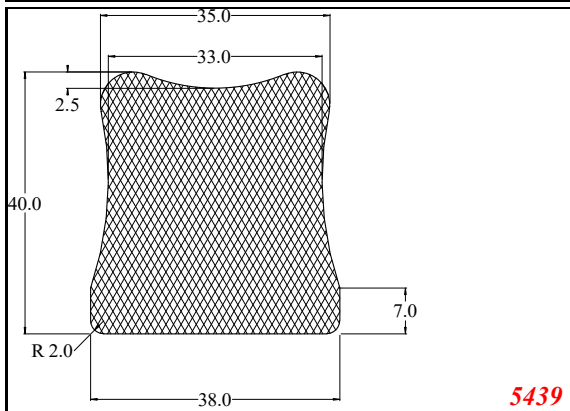
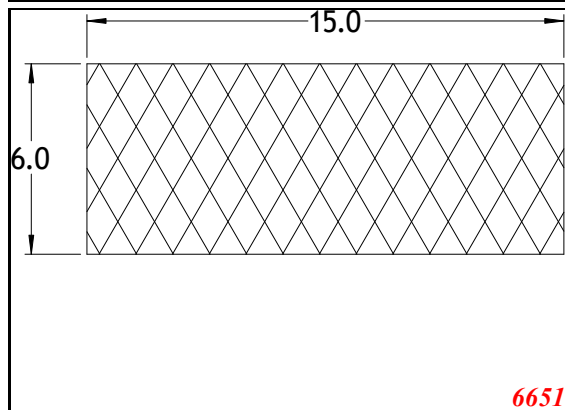
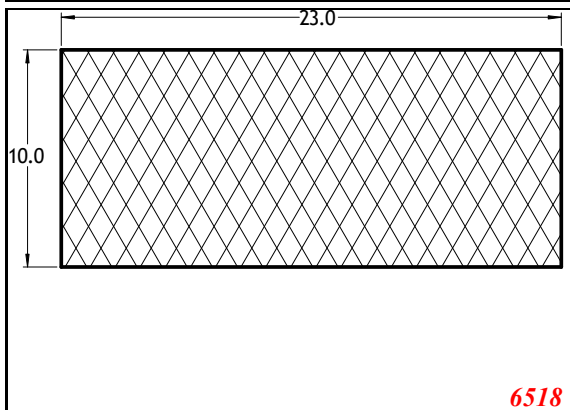
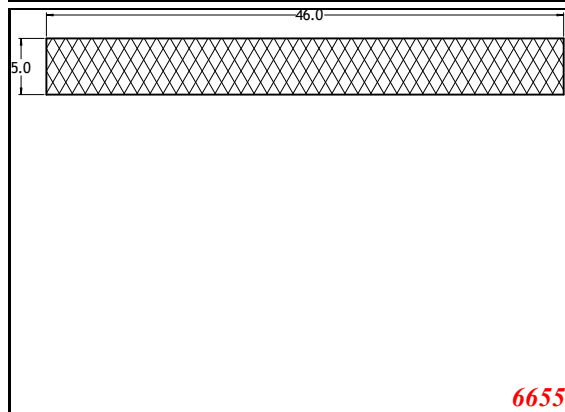
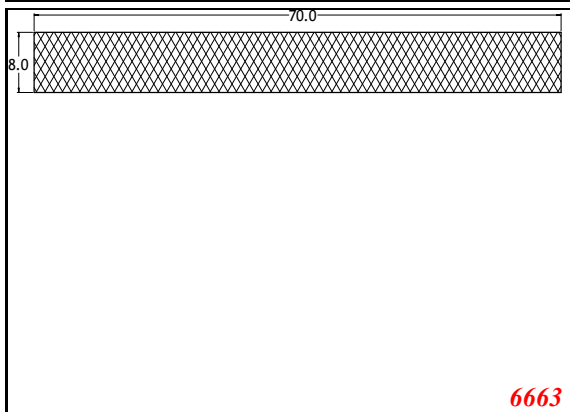
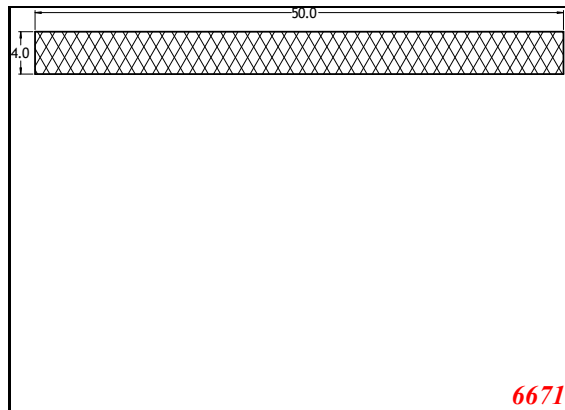
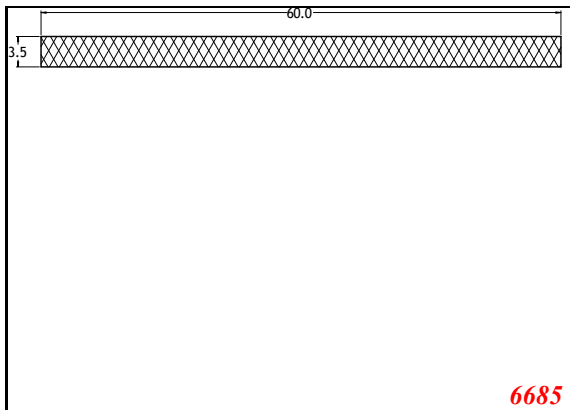


Strip

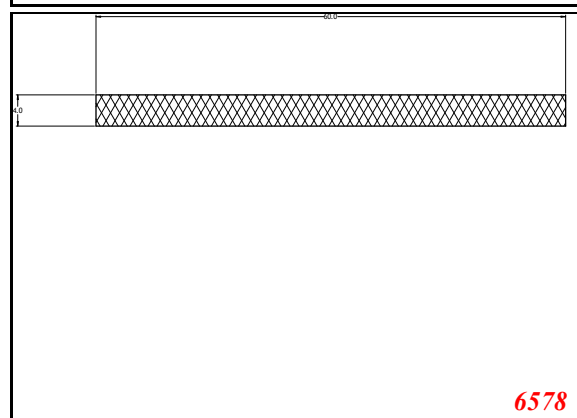
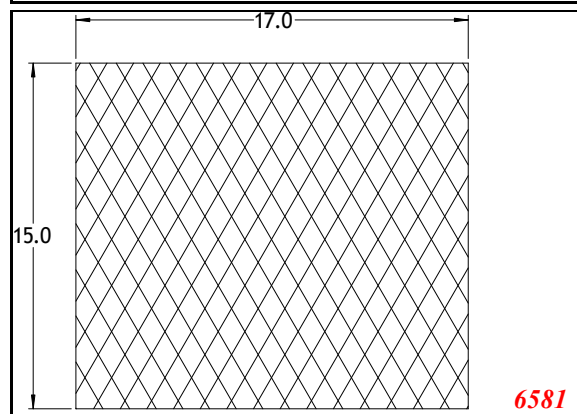
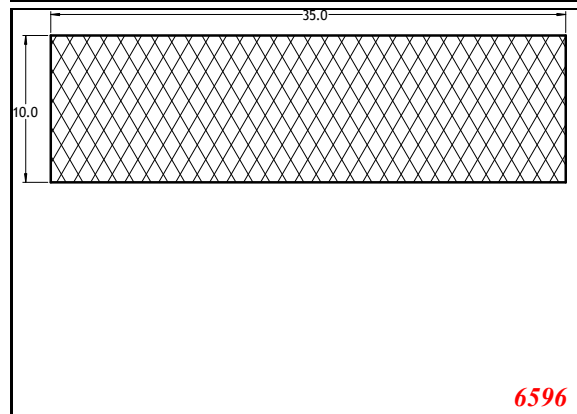
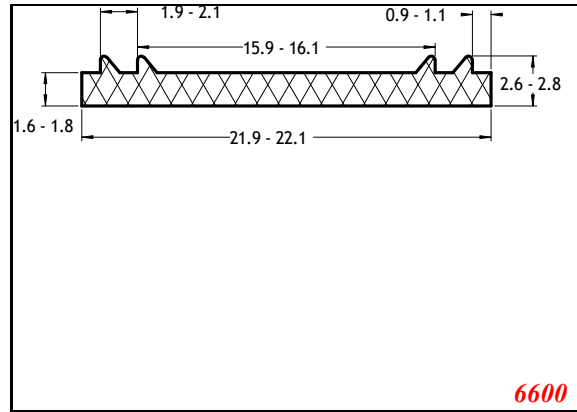
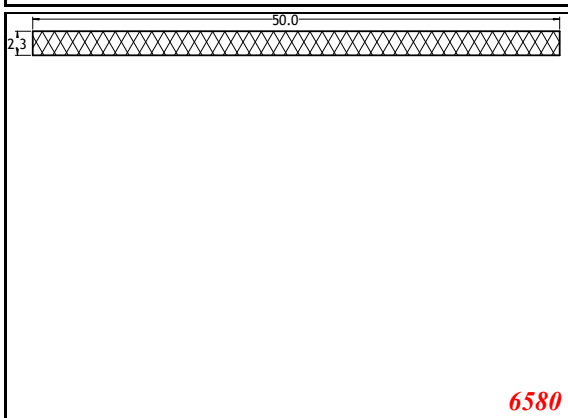
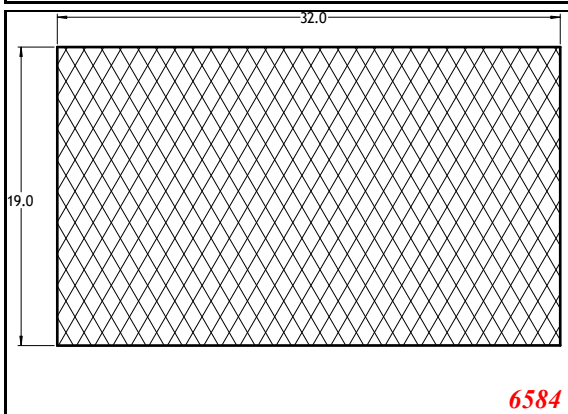
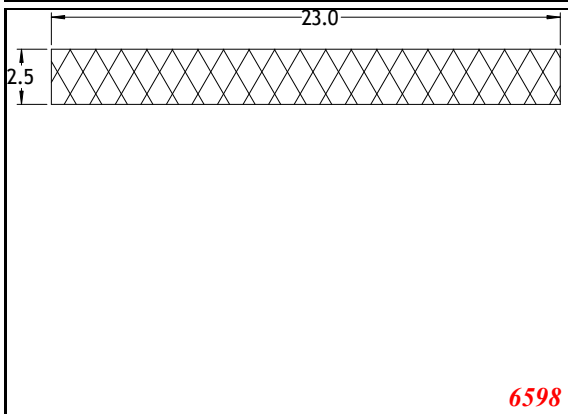
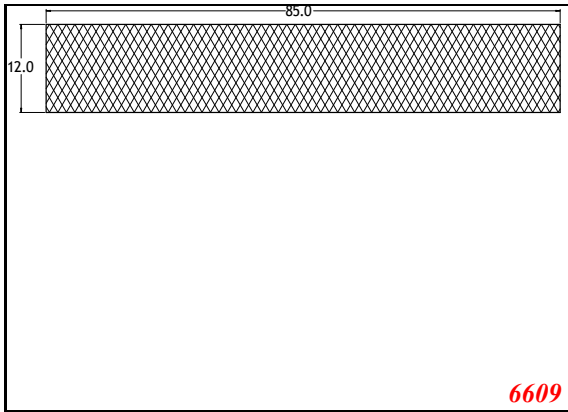




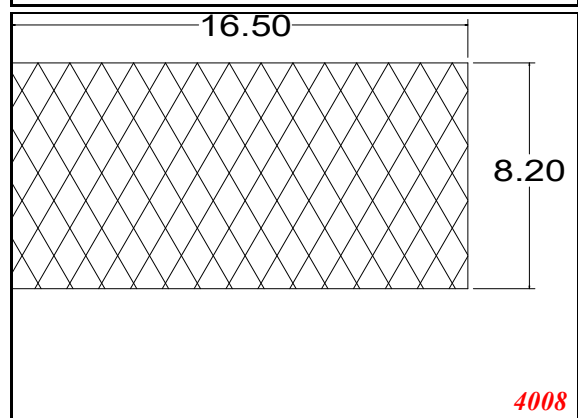
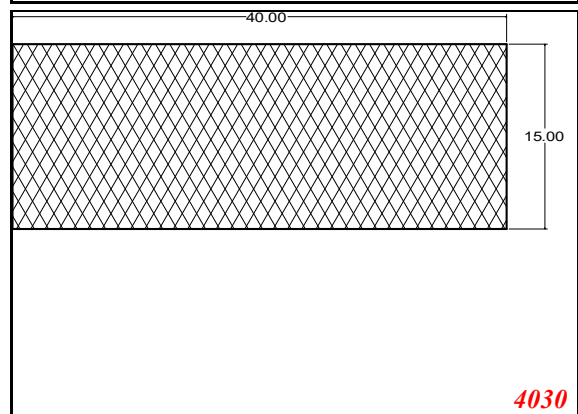
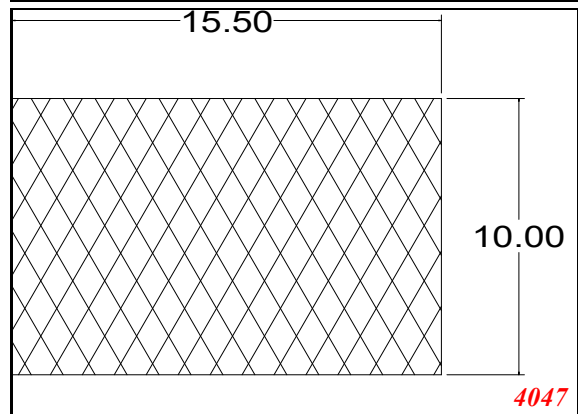
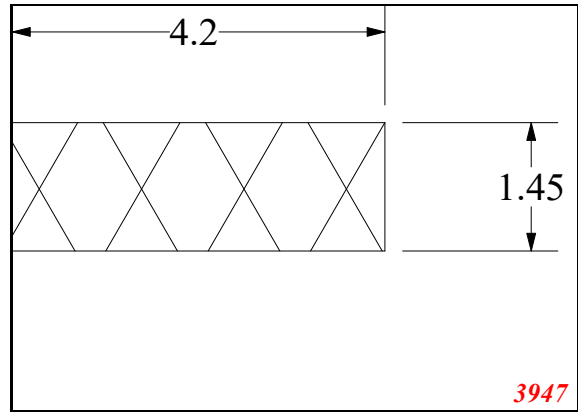
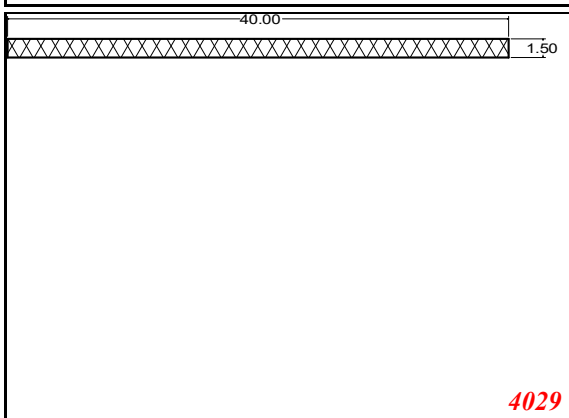
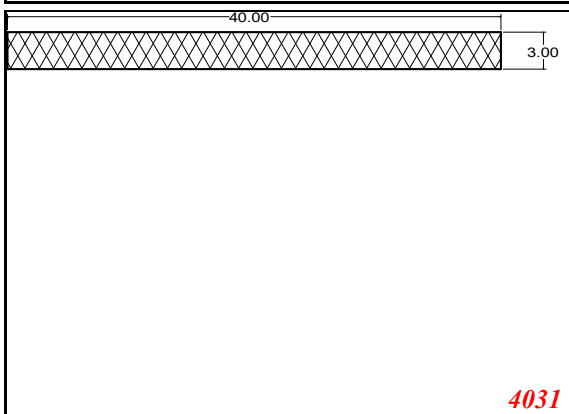
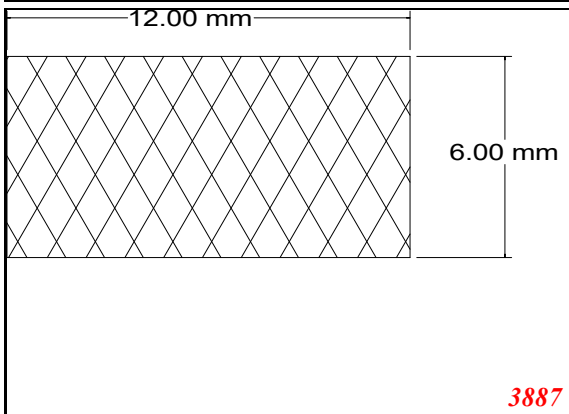
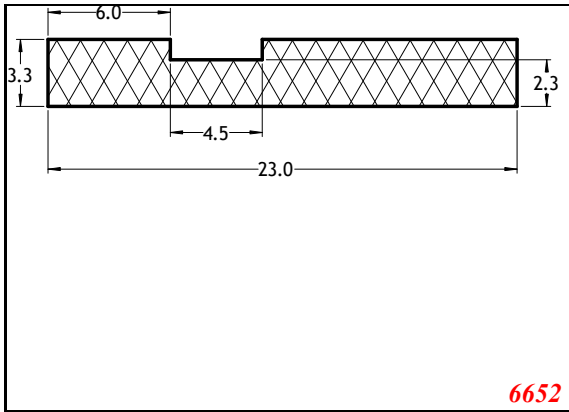
*Strip*



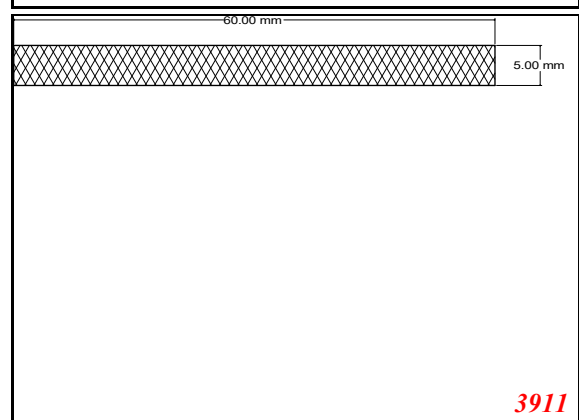
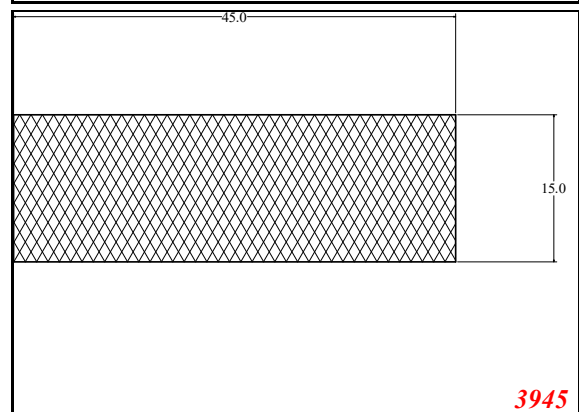
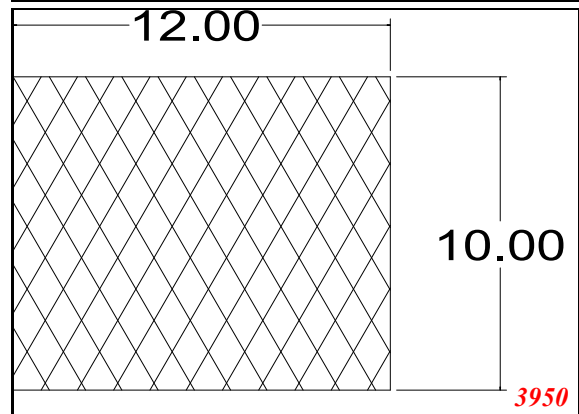
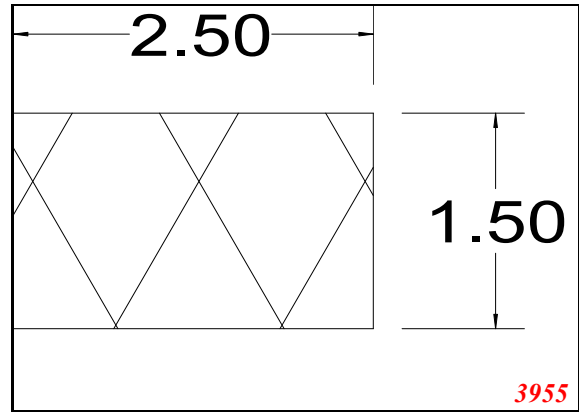
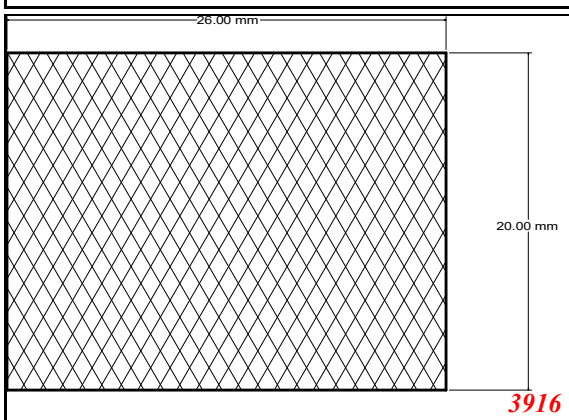
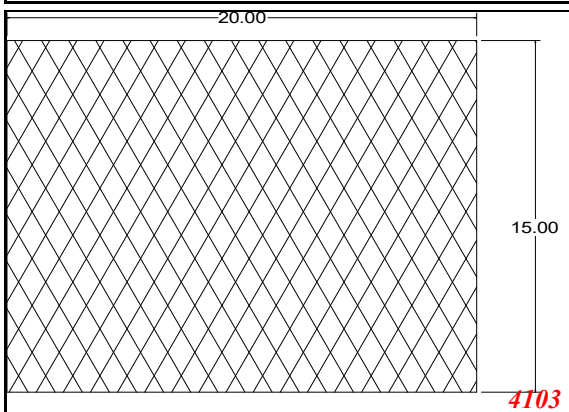
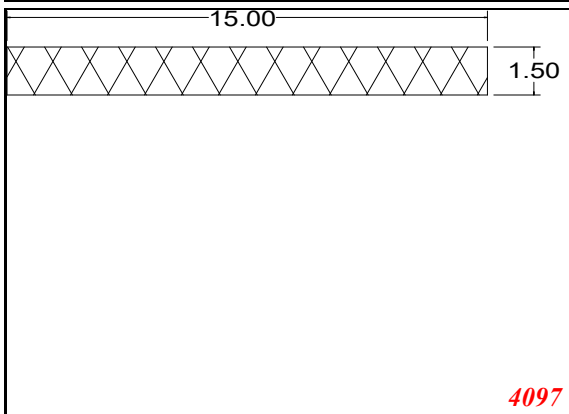
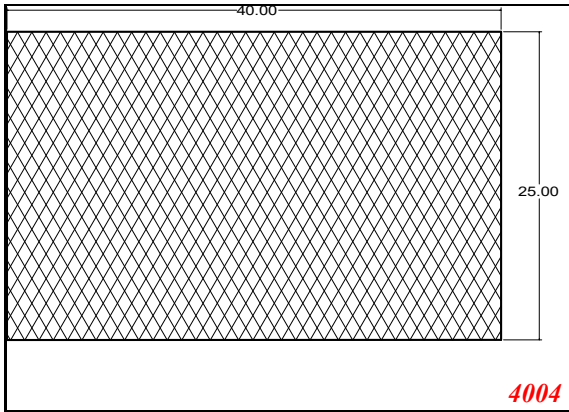
Strip



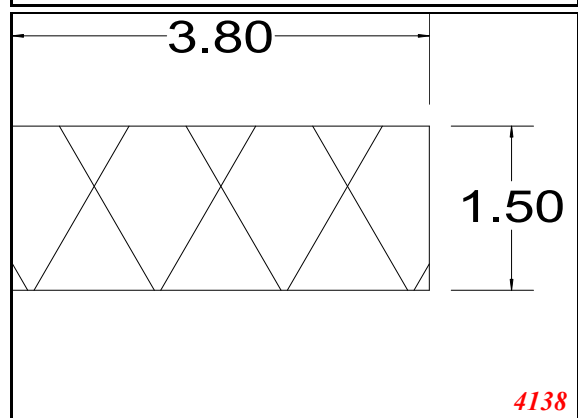
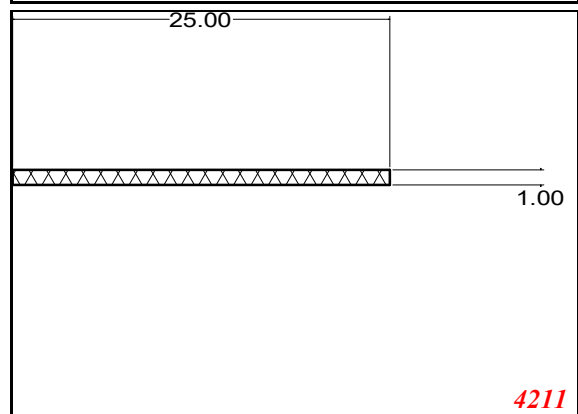
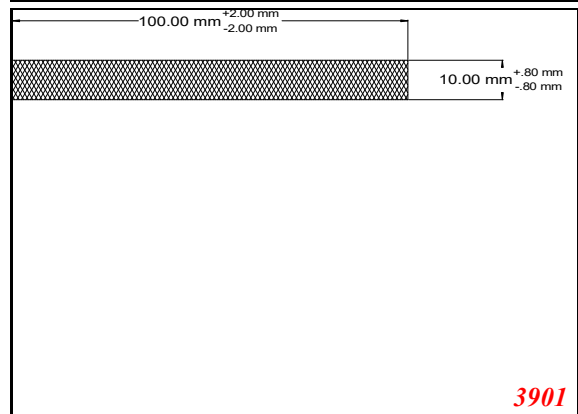
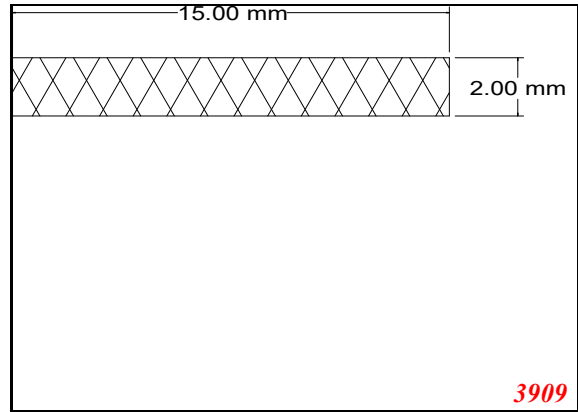
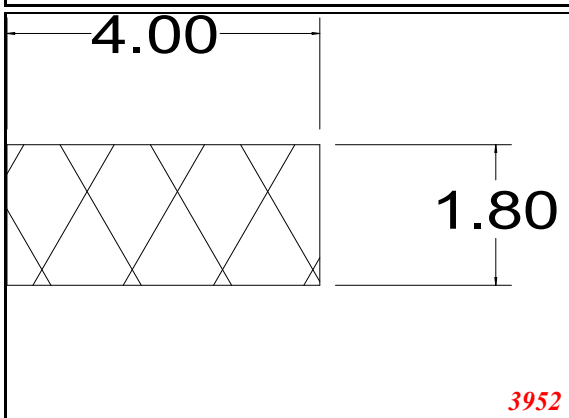
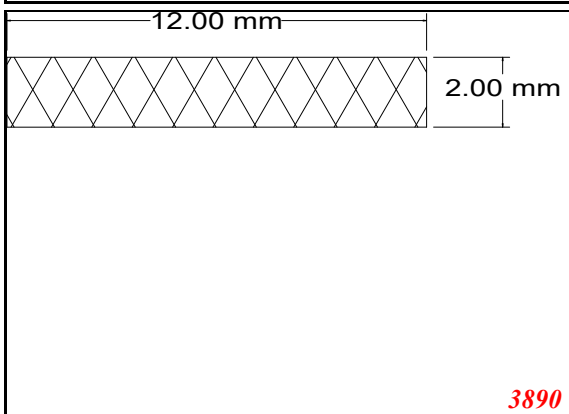
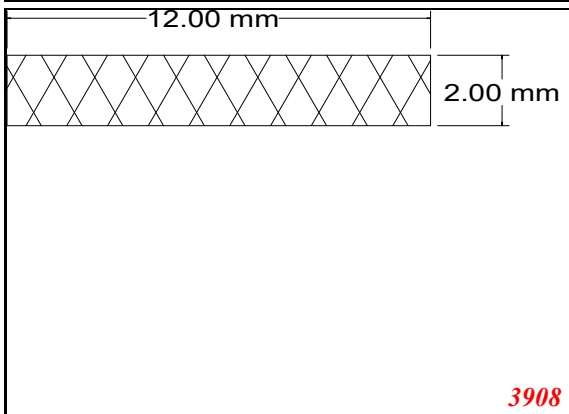
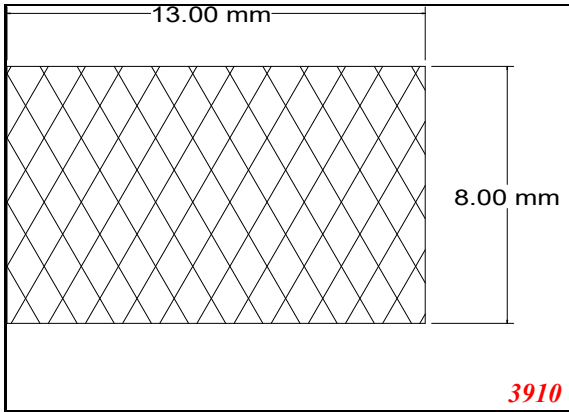
Strip



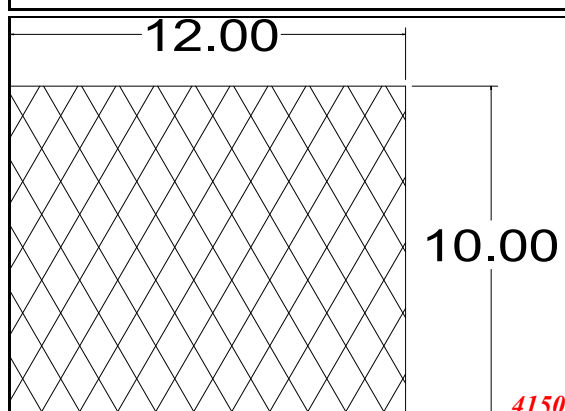
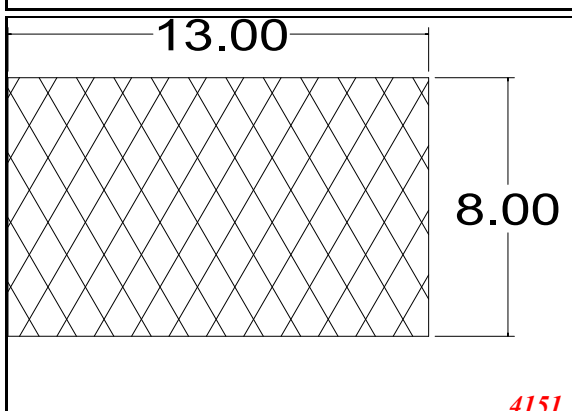
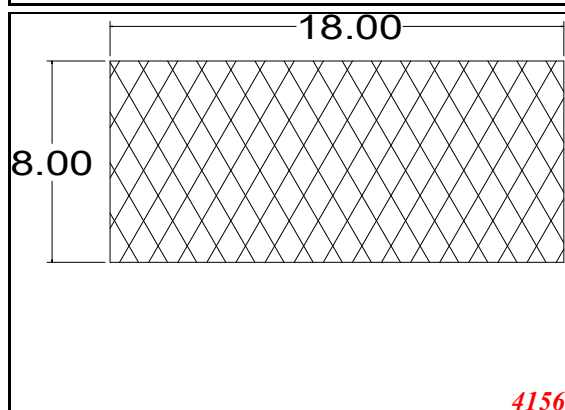
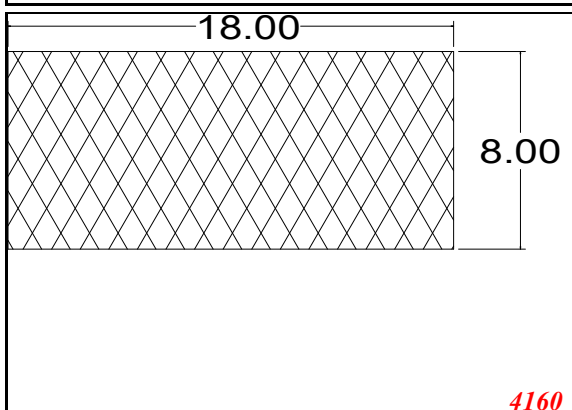
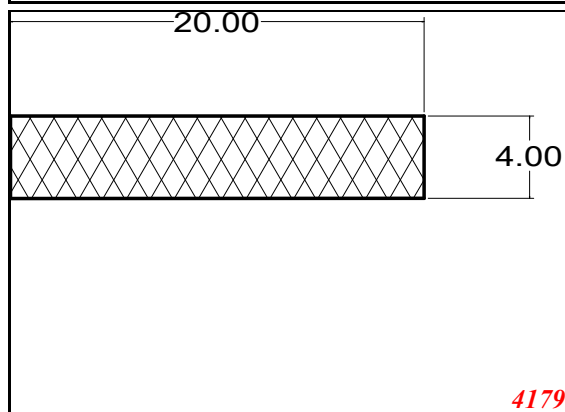
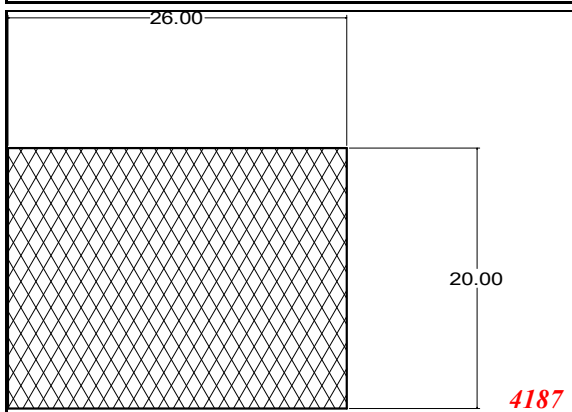
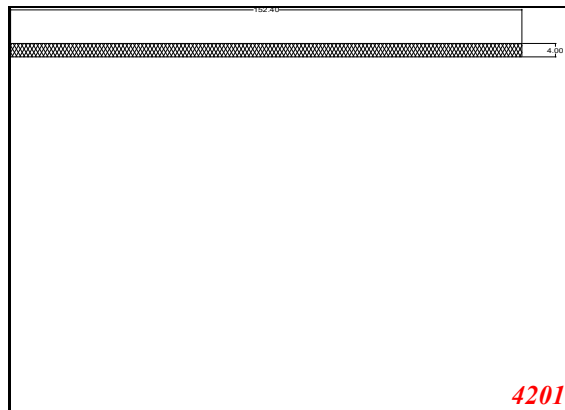
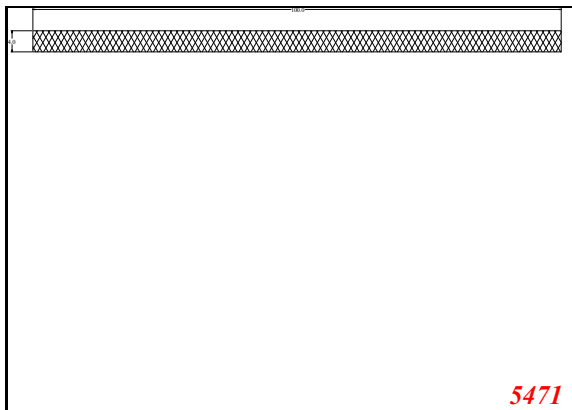
*Strip*



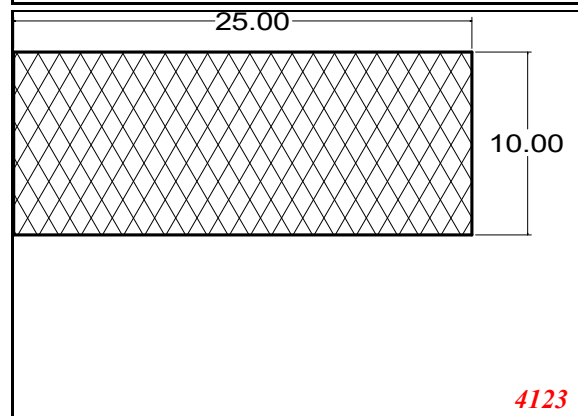
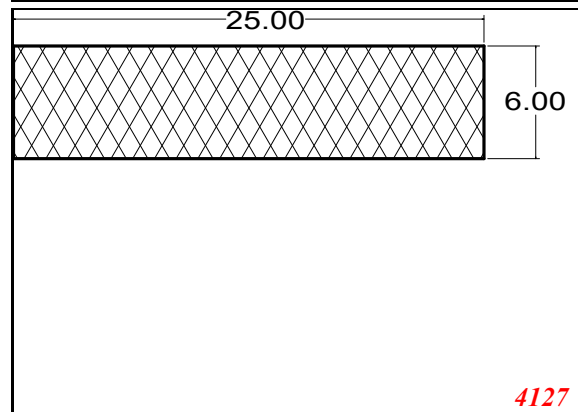
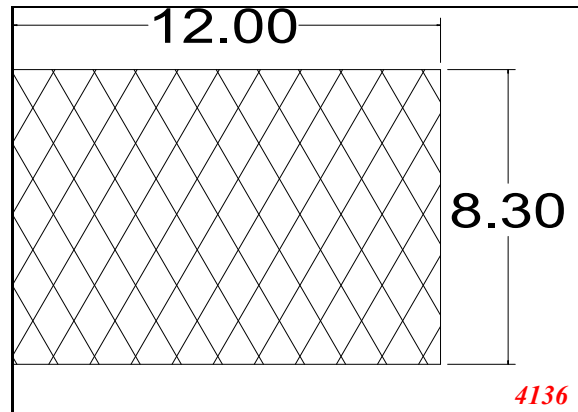
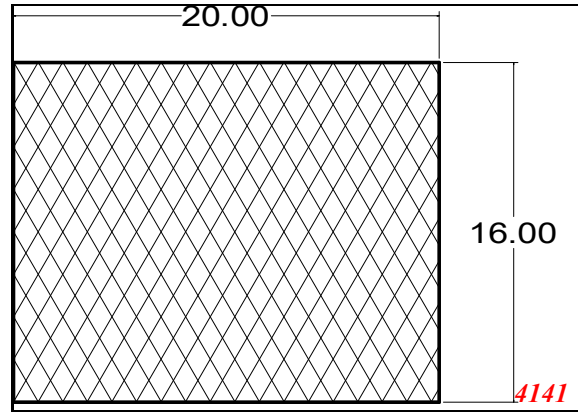
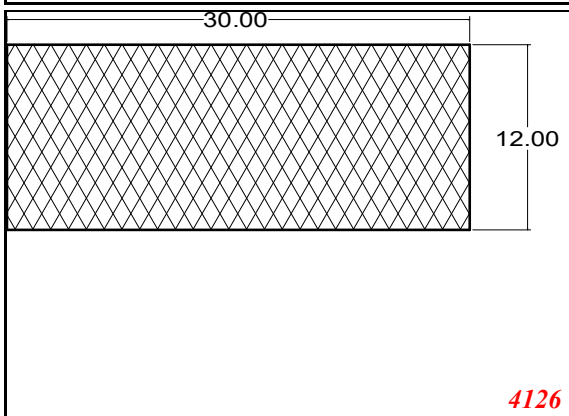
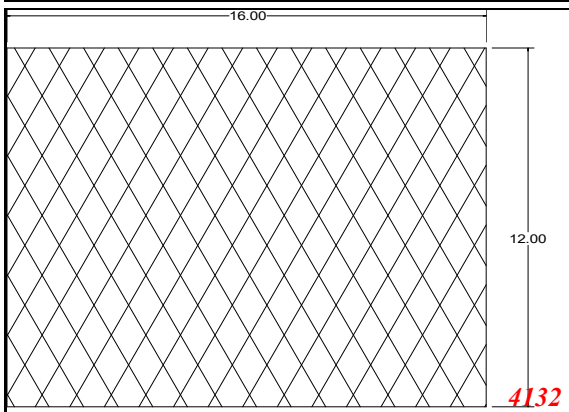
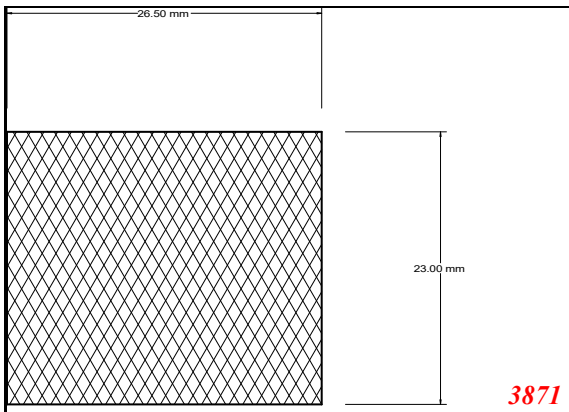
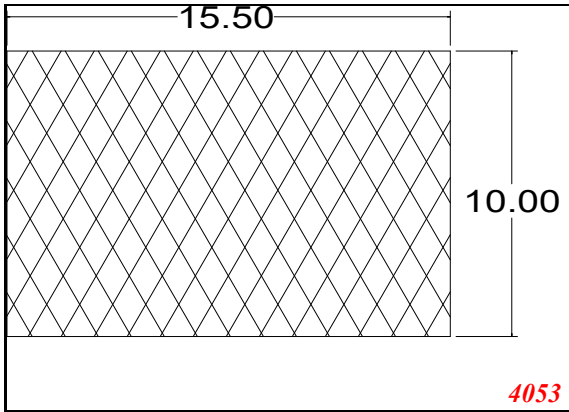
Strip



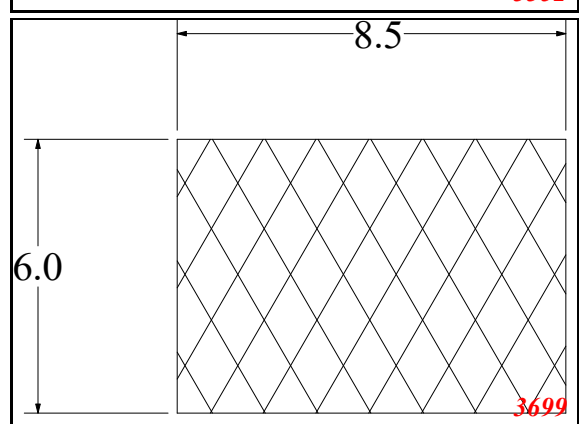
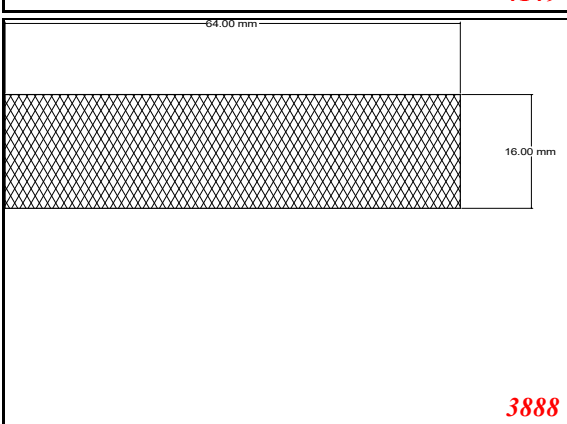
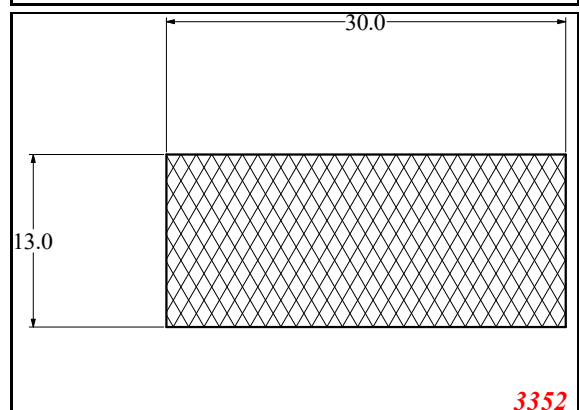
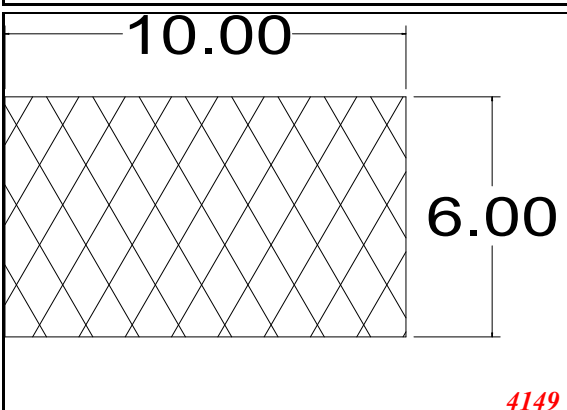
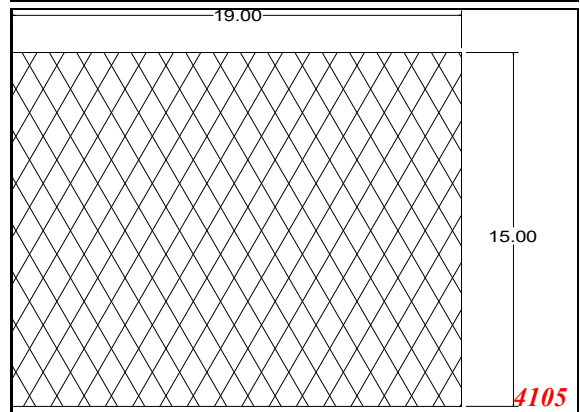
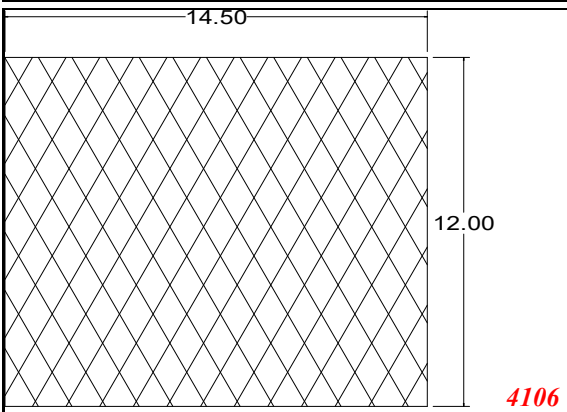
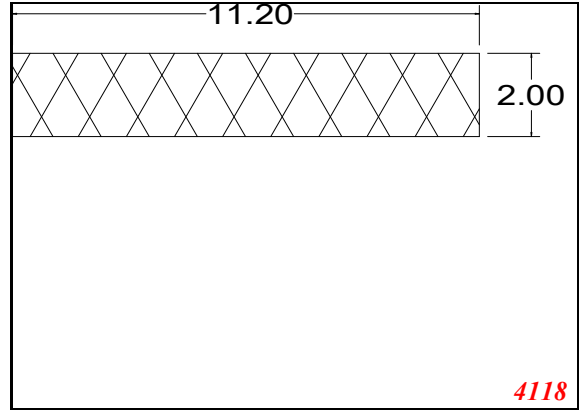
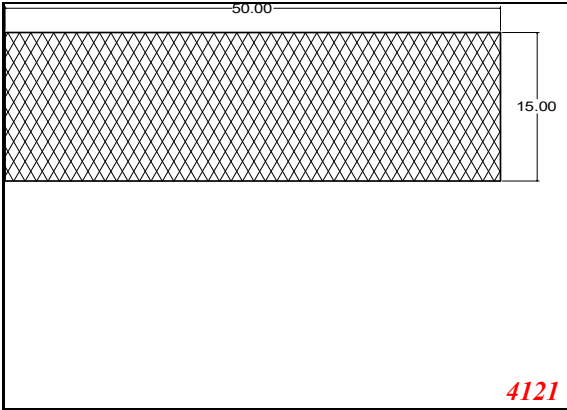
Strip



Strip

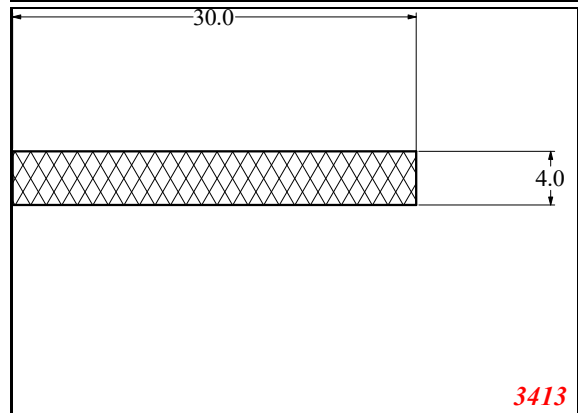
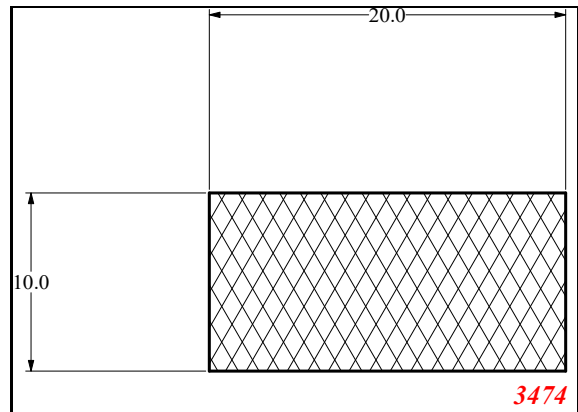
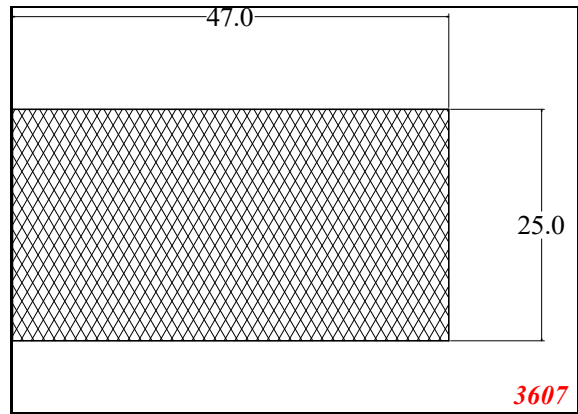
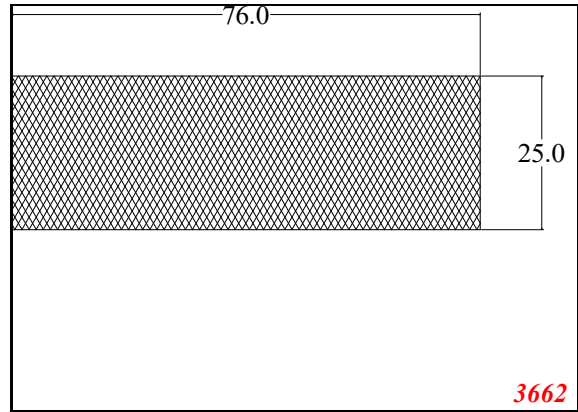
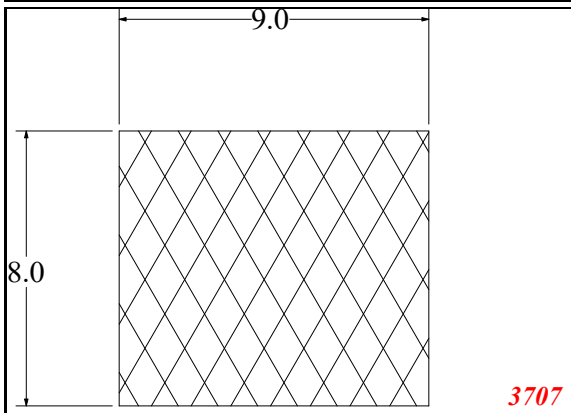
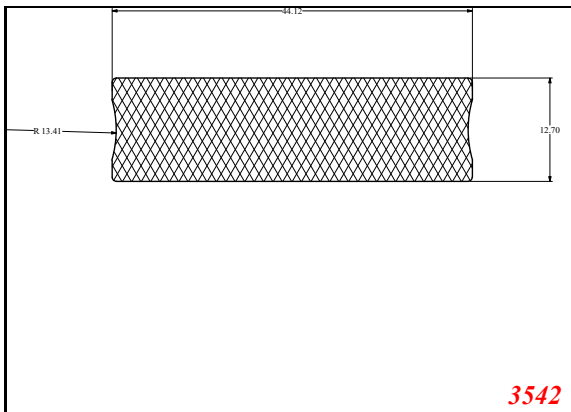
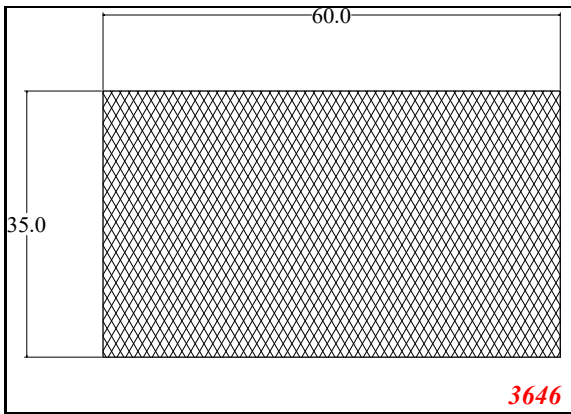
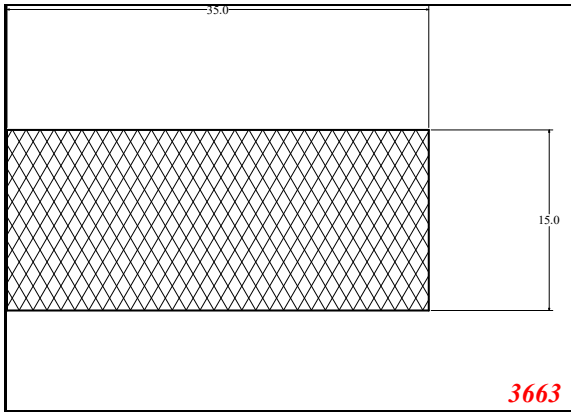


*Strip*

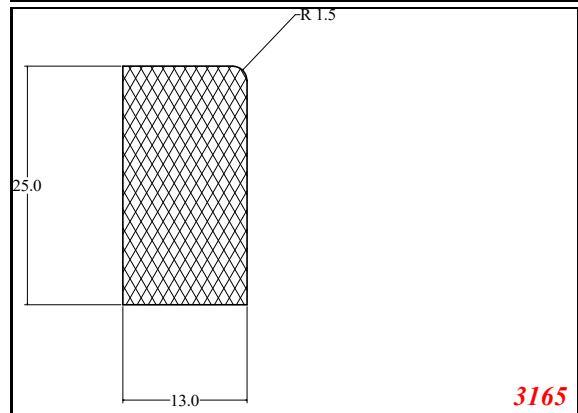
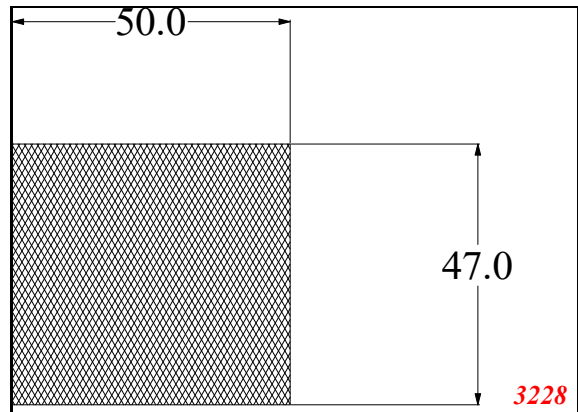
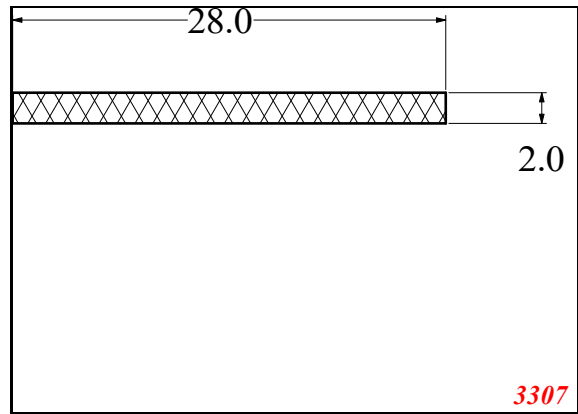
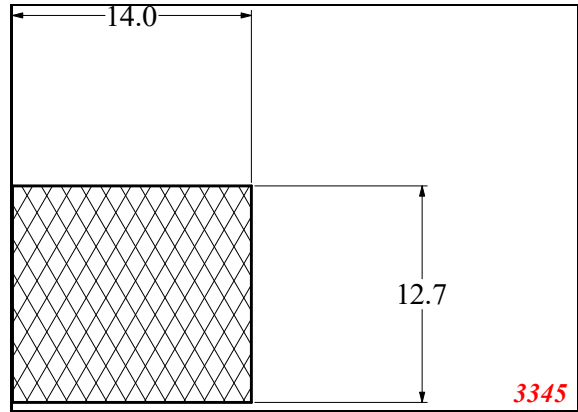
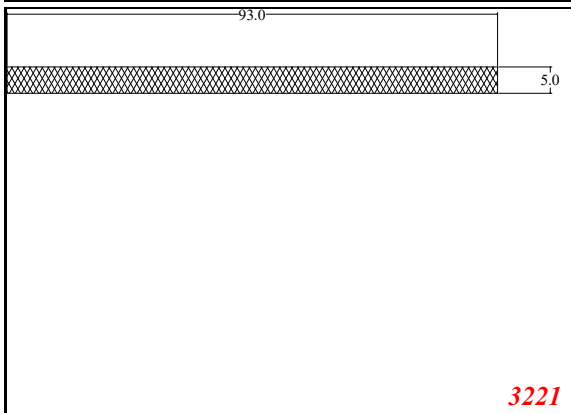
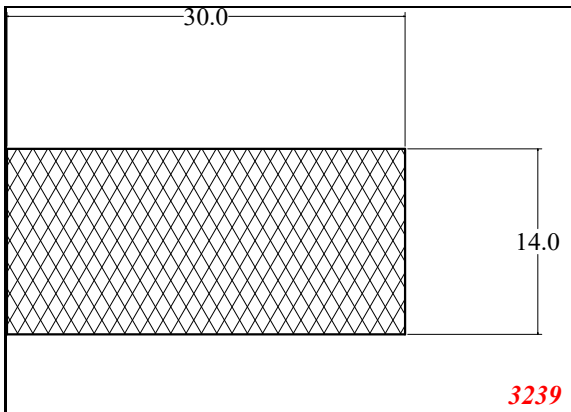
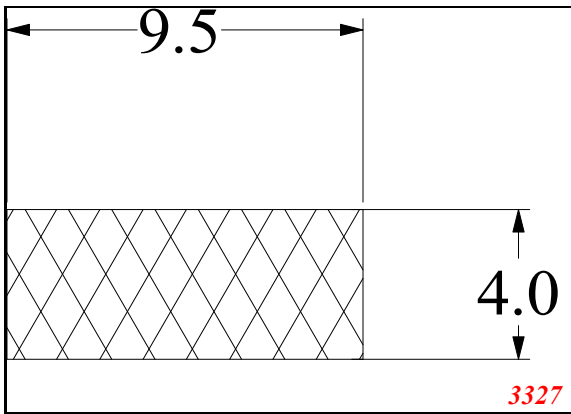
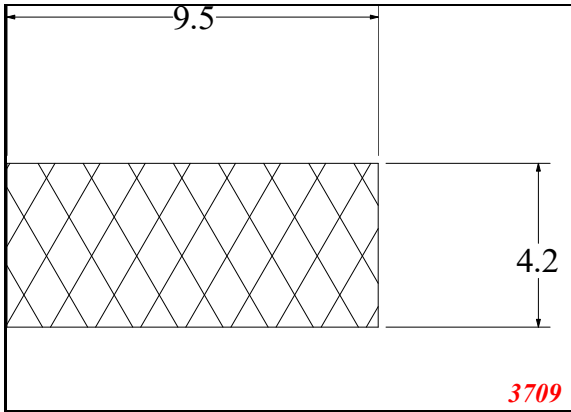




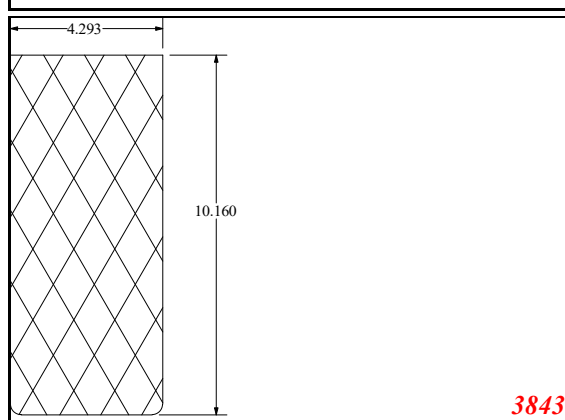
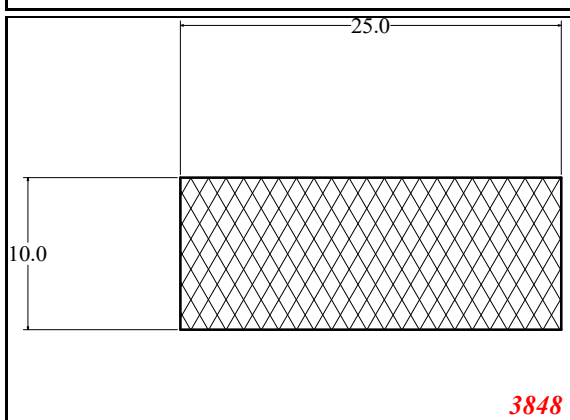
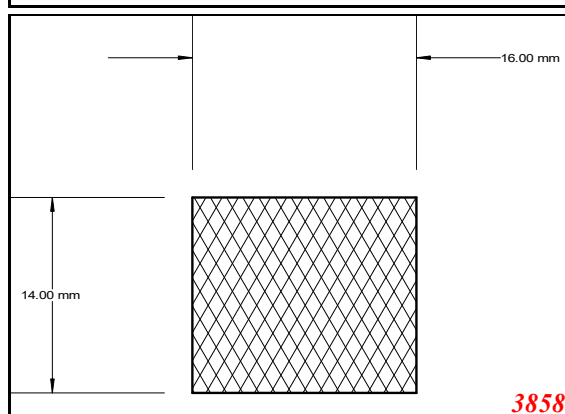
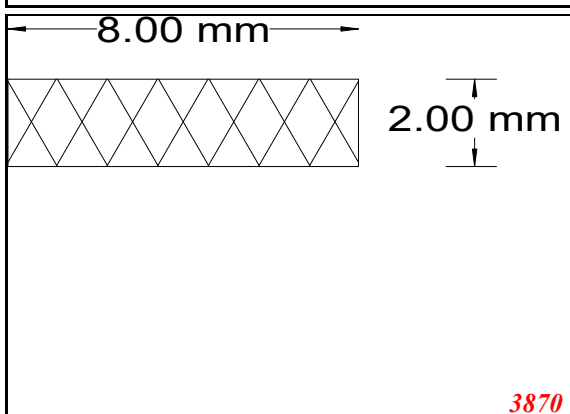
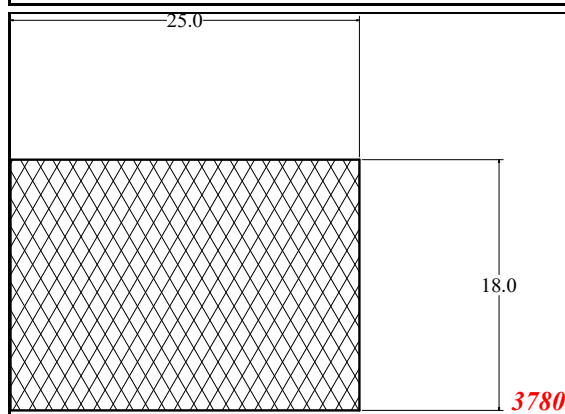
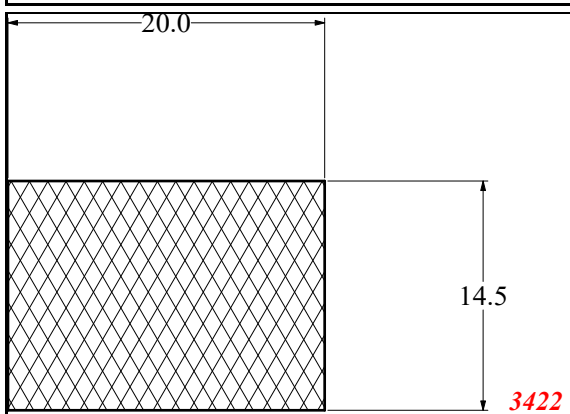
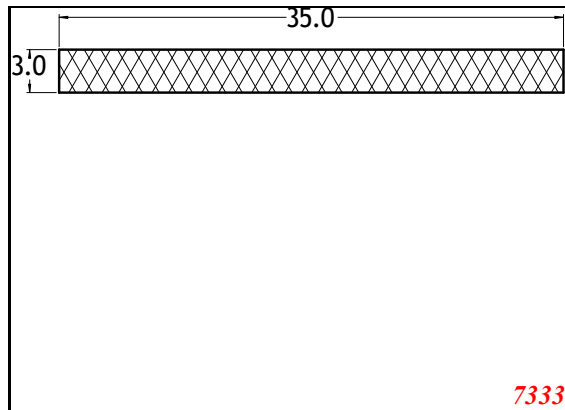
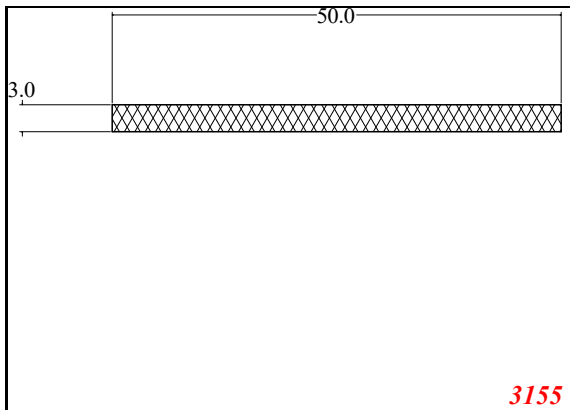
Strip



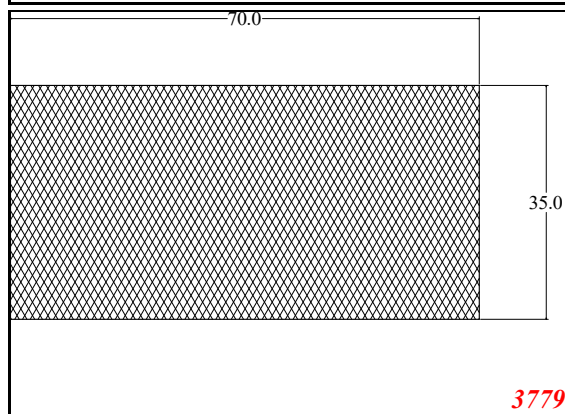
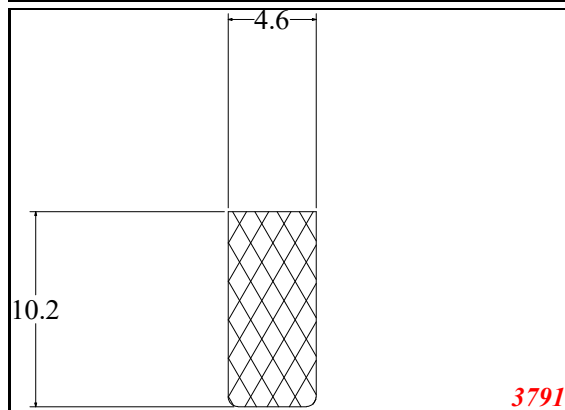
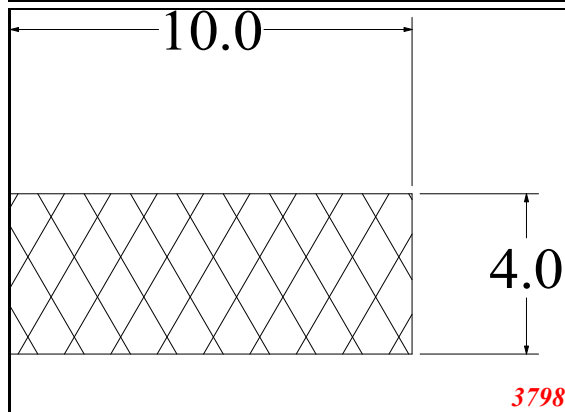
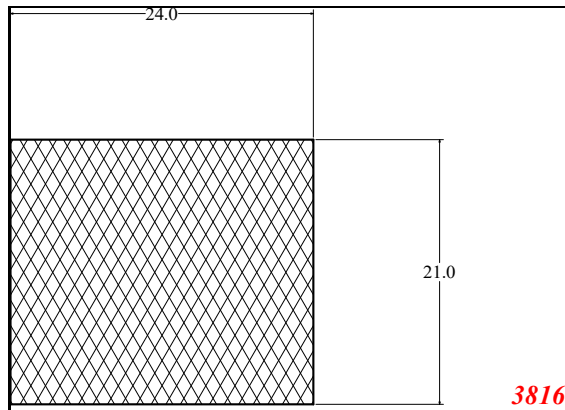
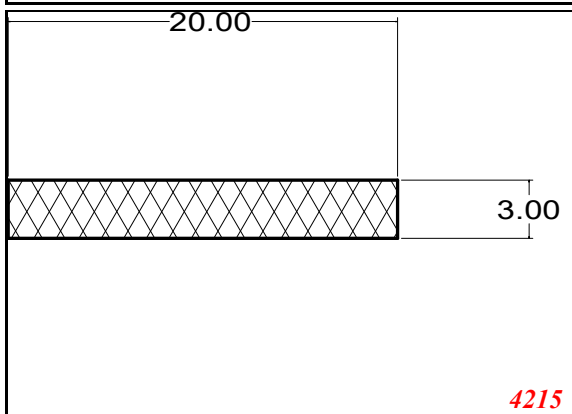
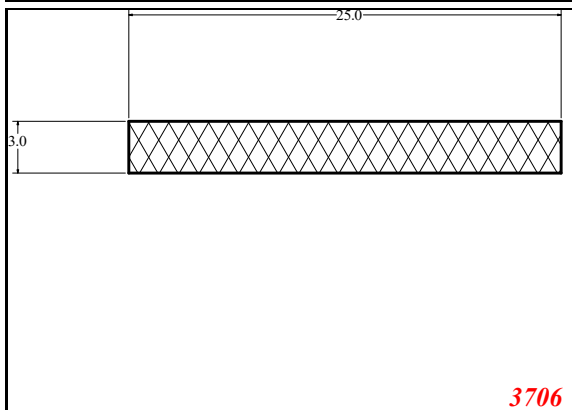
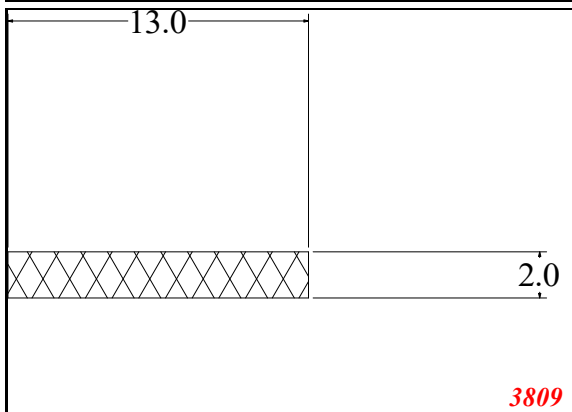
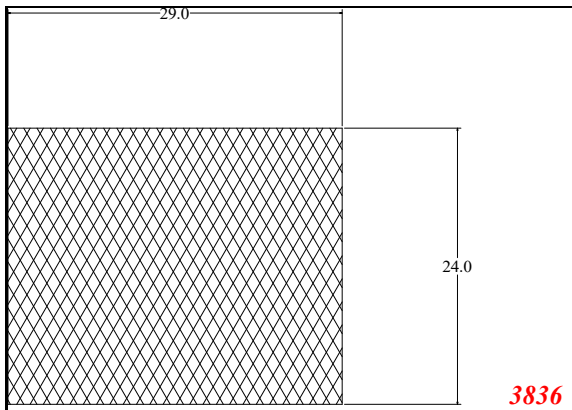
Strip



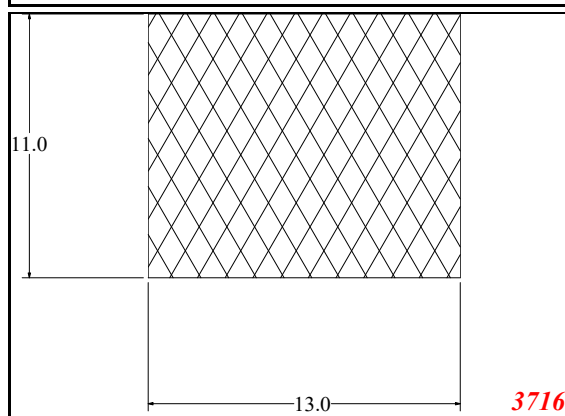
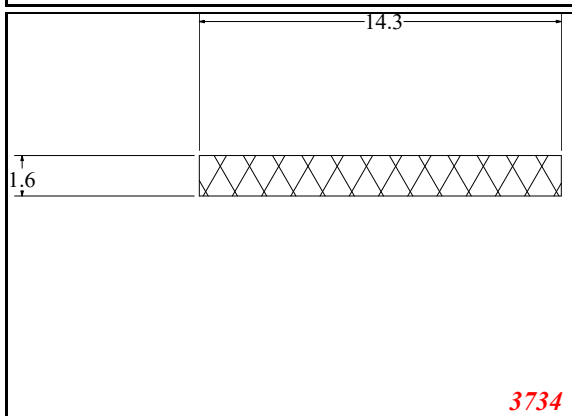
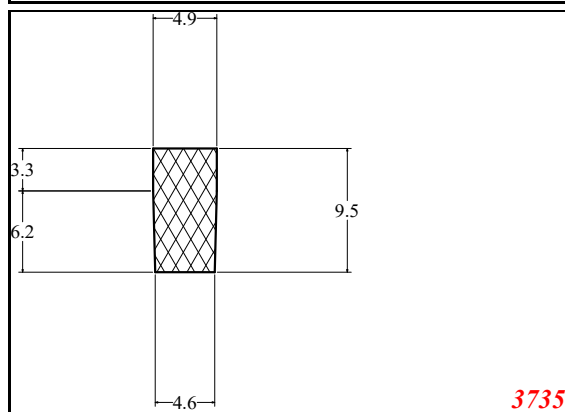
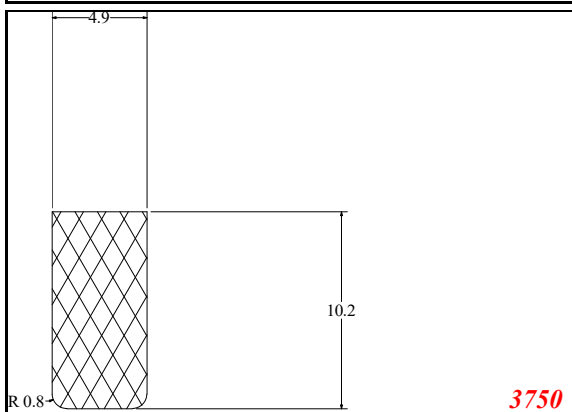
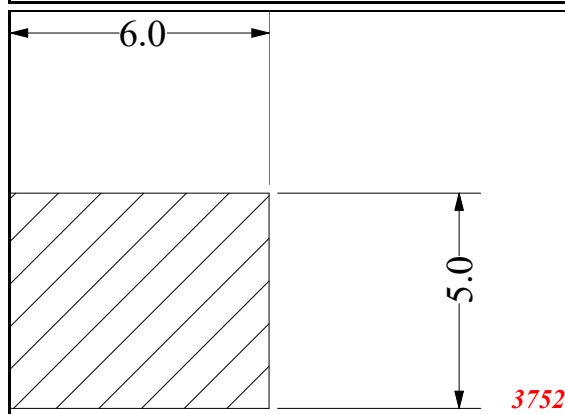
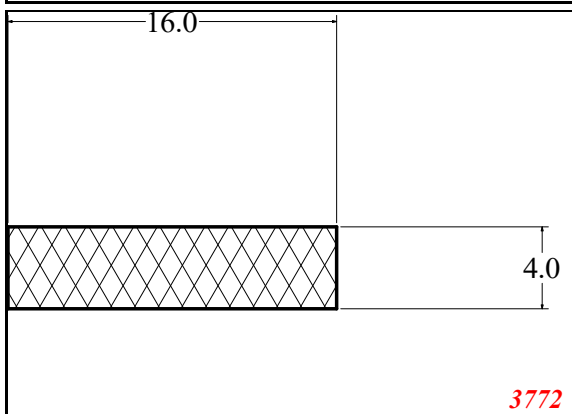
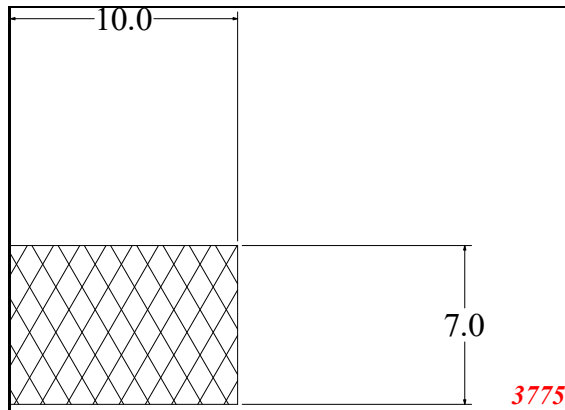
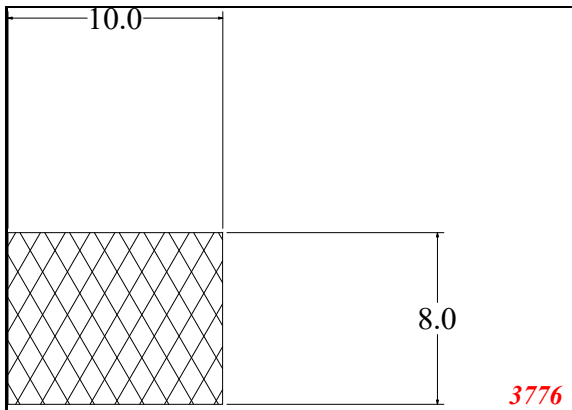
Strip



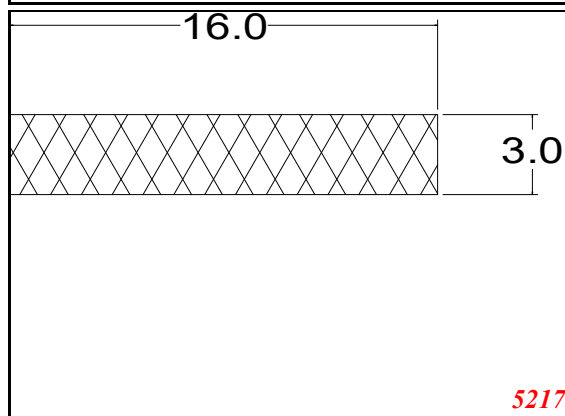
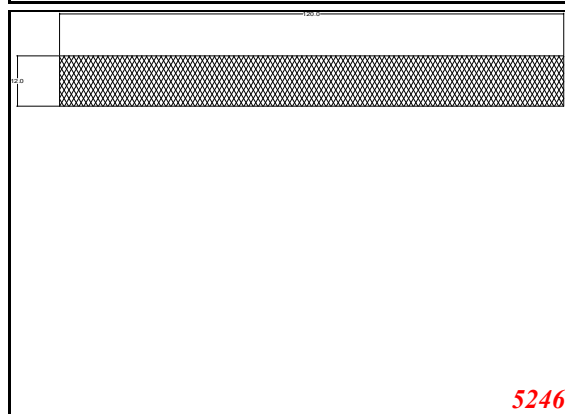
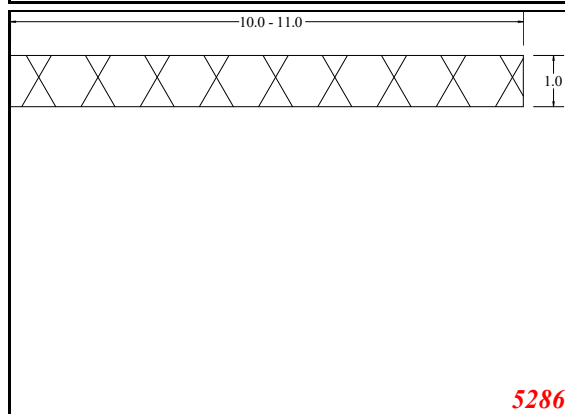
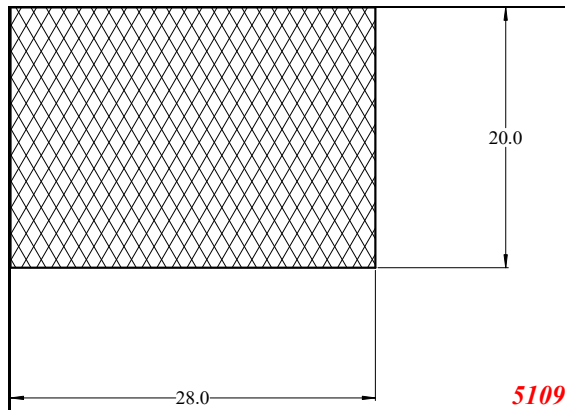
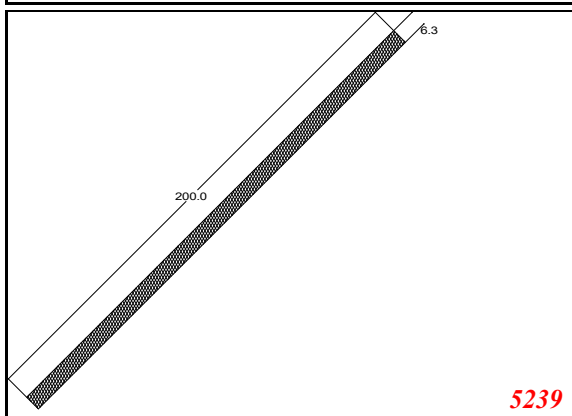
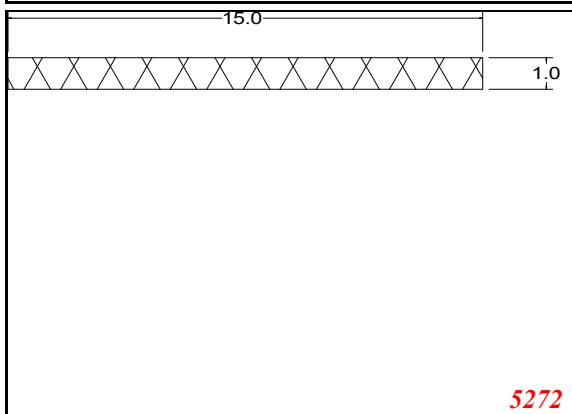
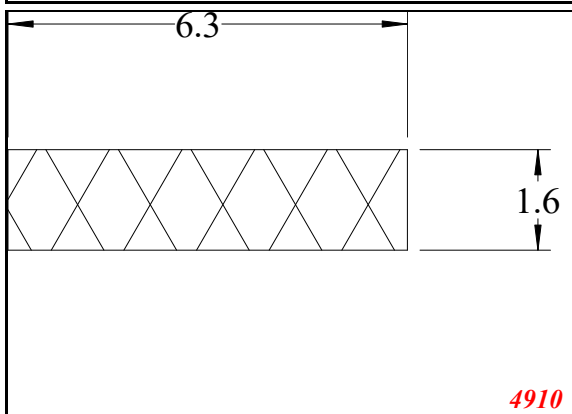
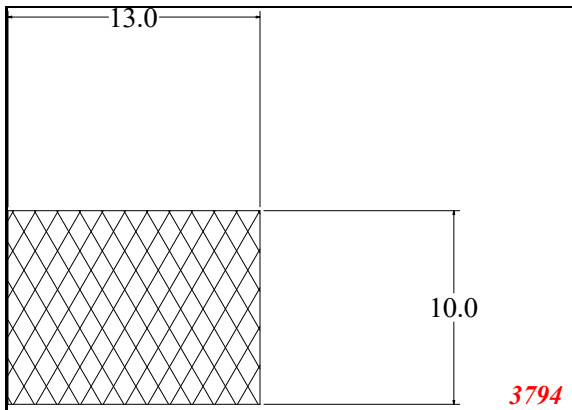
Strip



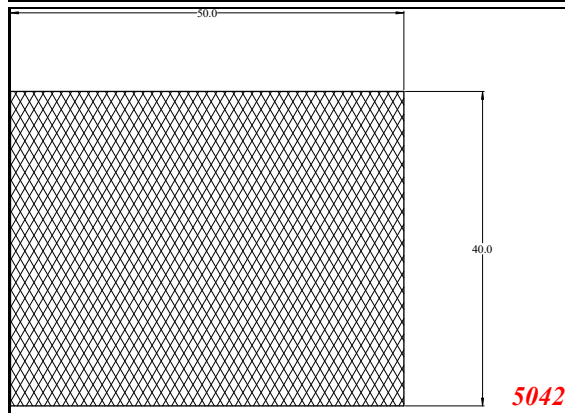
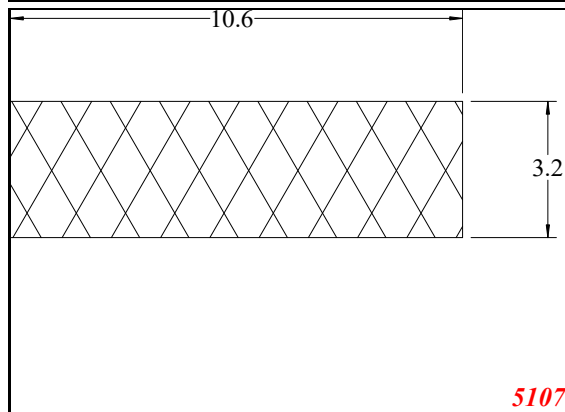
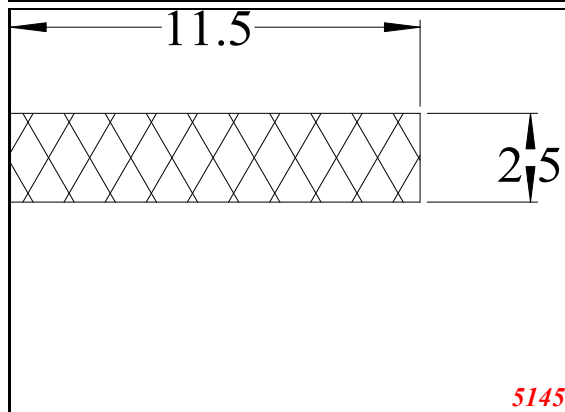
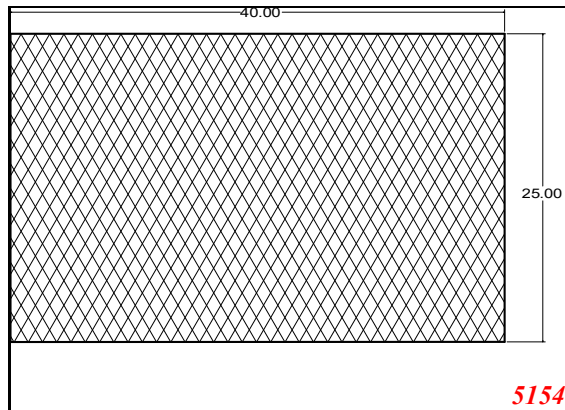
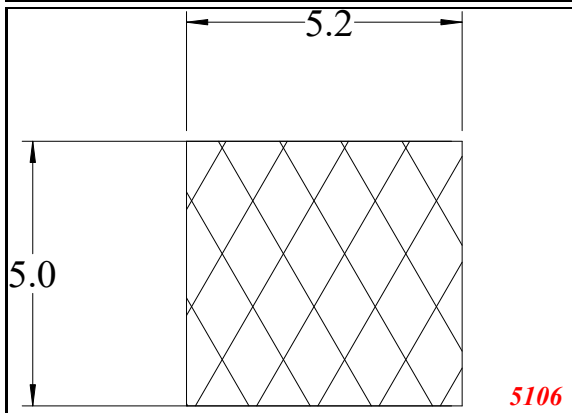
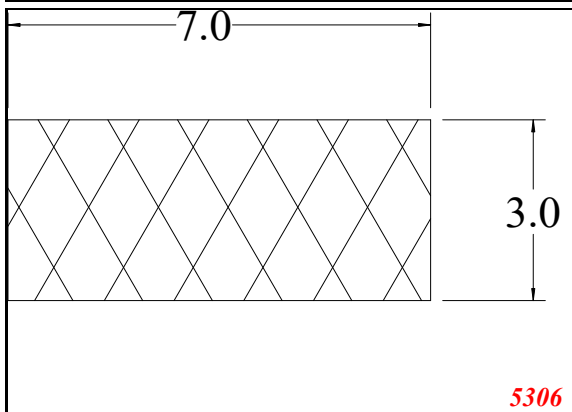
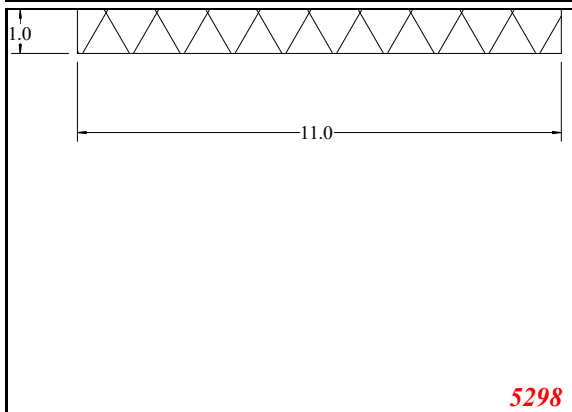
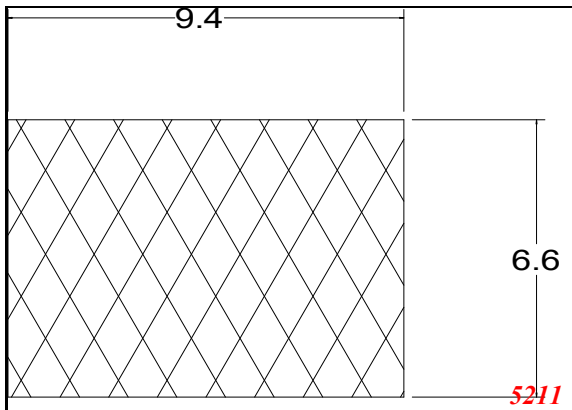
Strip



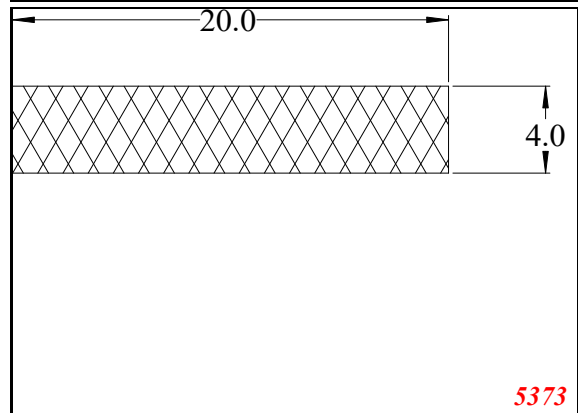
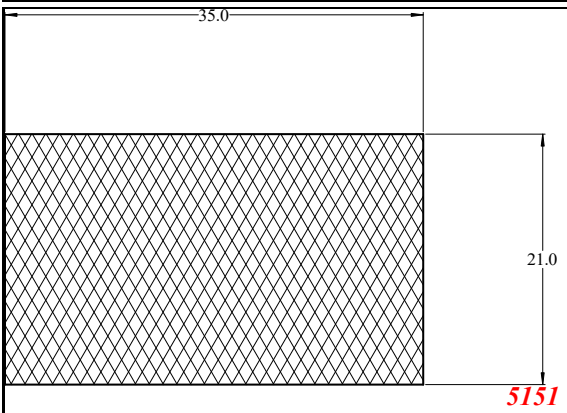
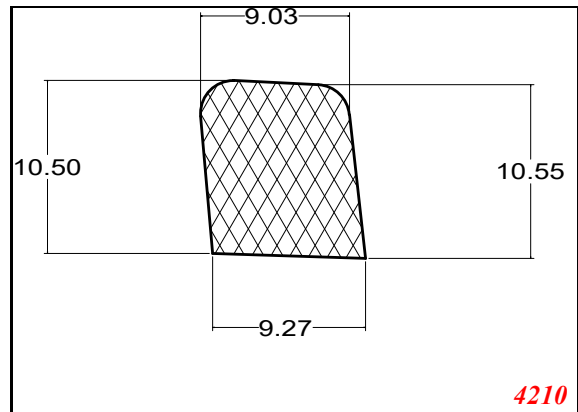
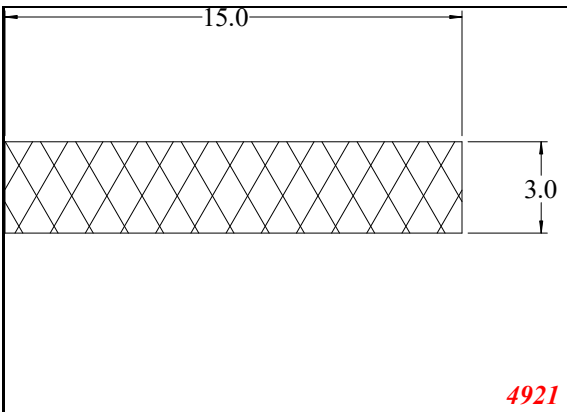
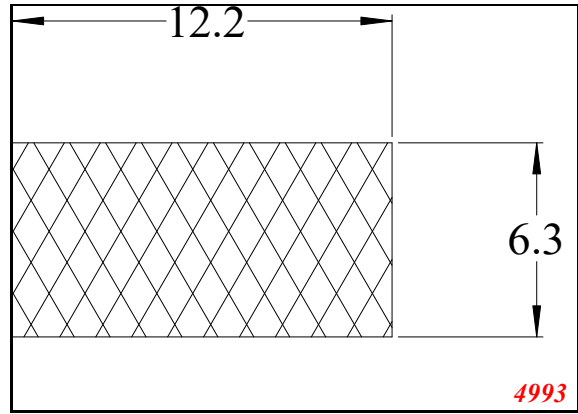
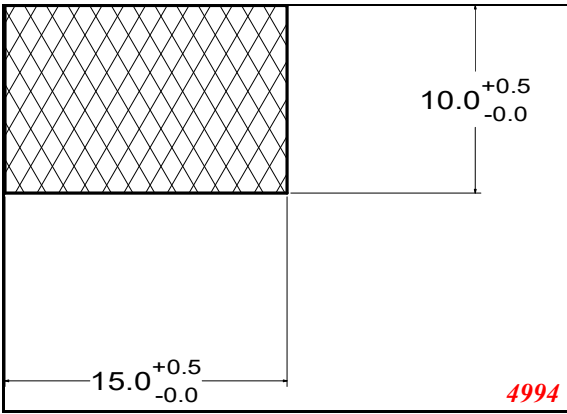
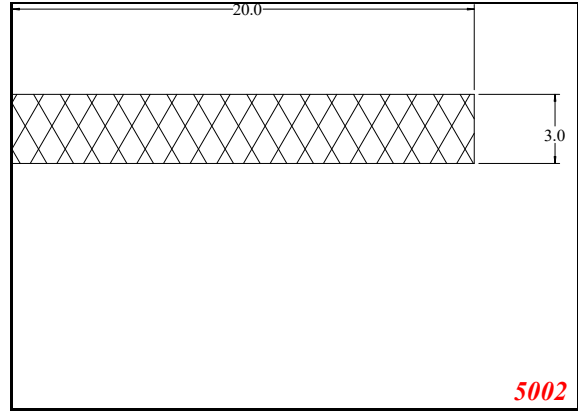
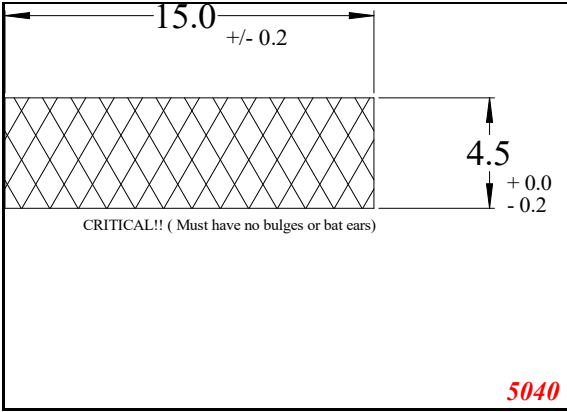
Strip



Strip

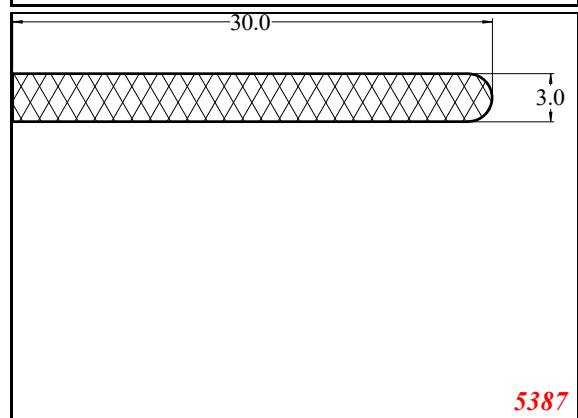
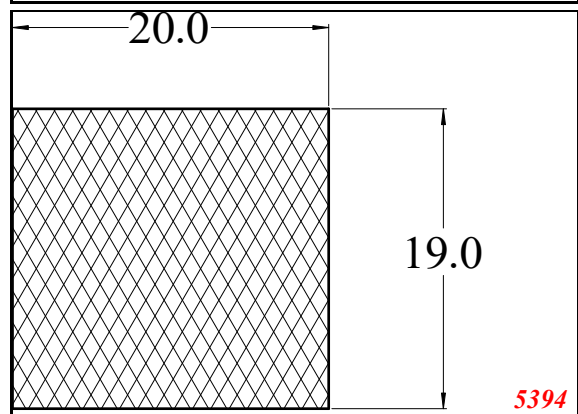
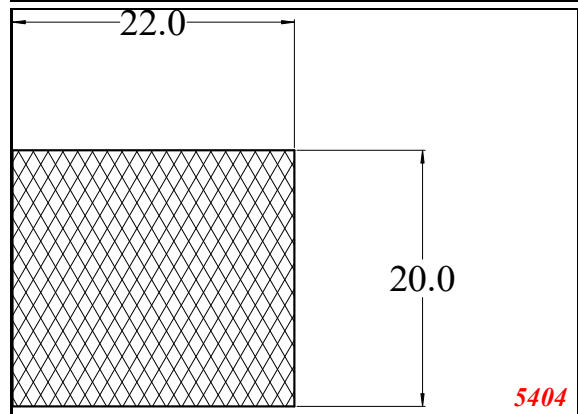
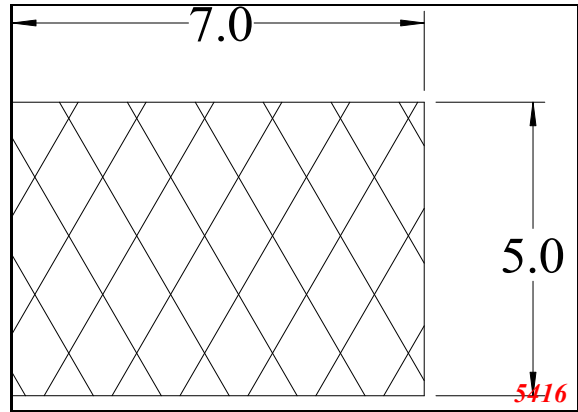
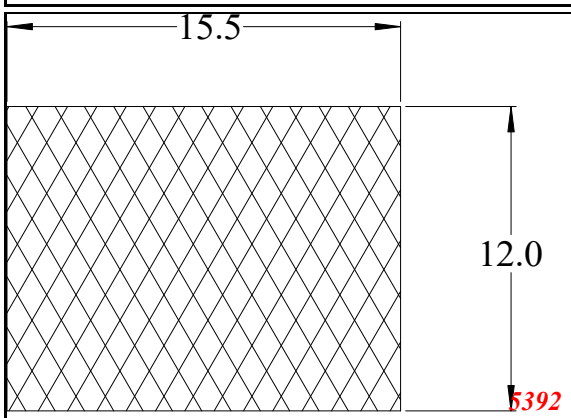
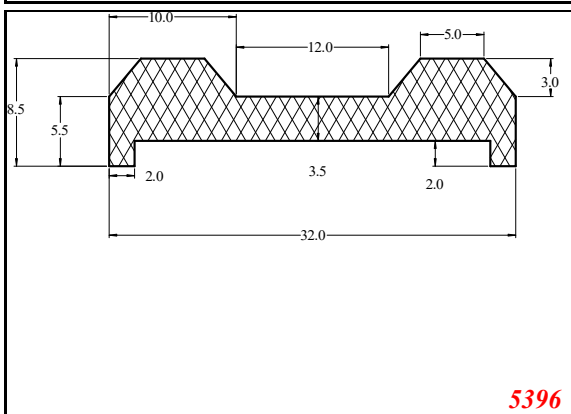
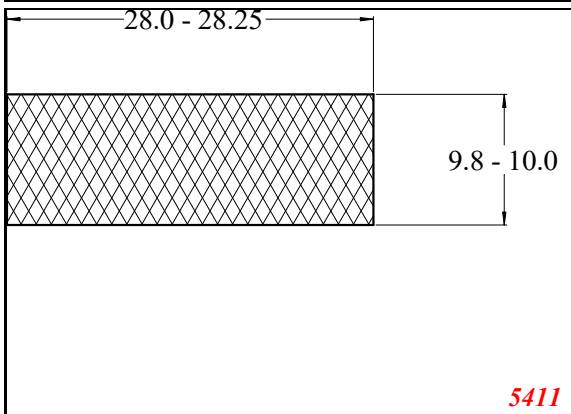
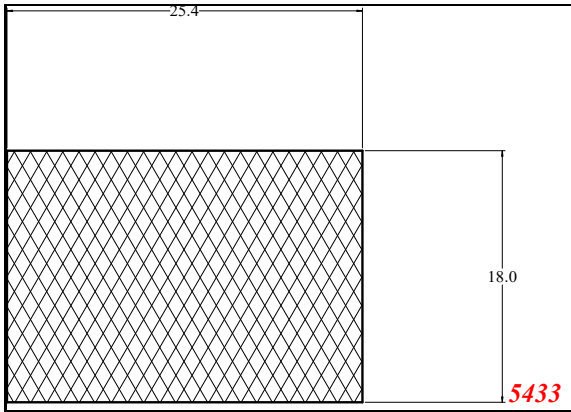


Strip

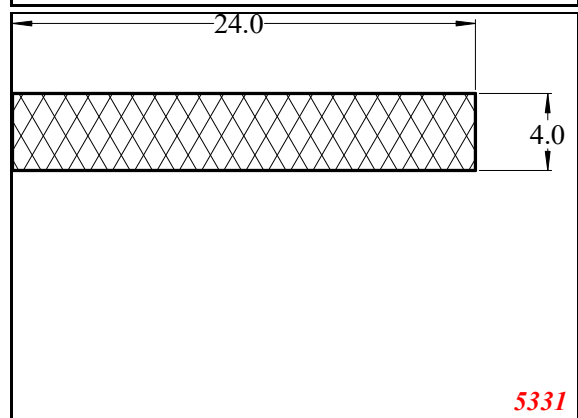
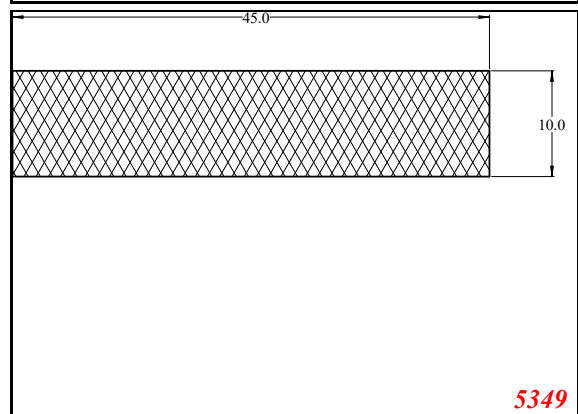
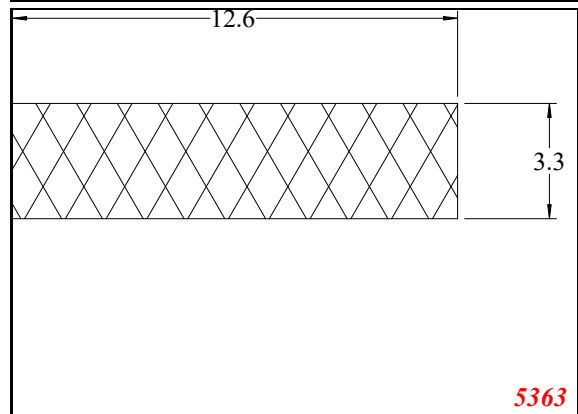
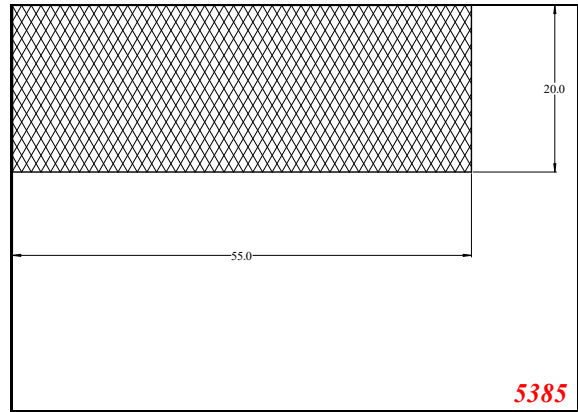
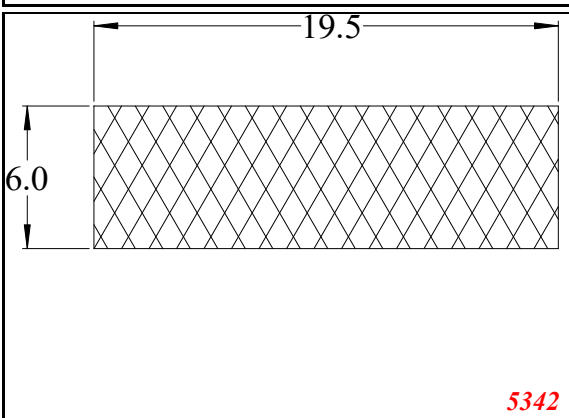
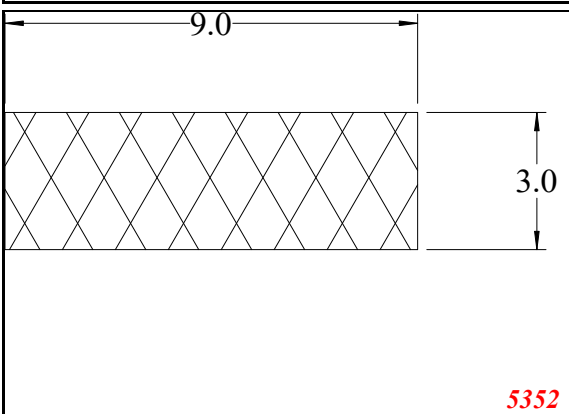
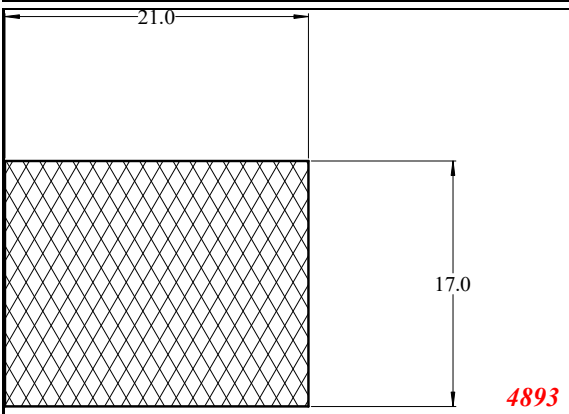
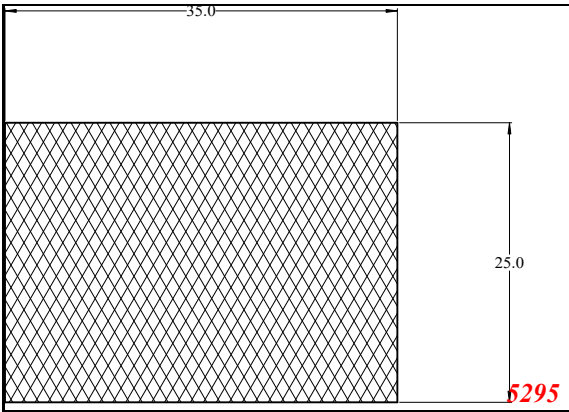




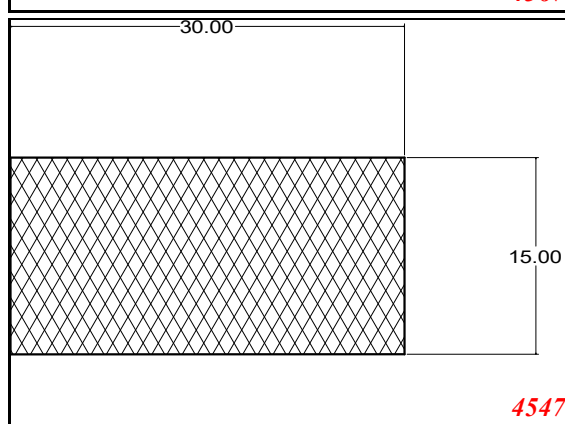
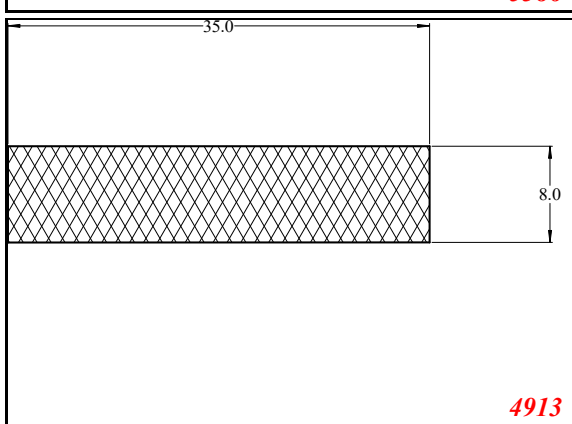
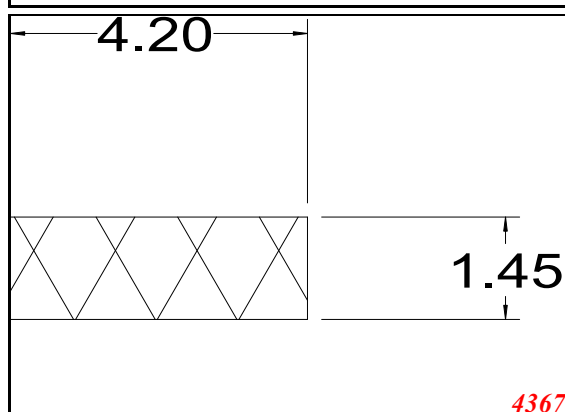
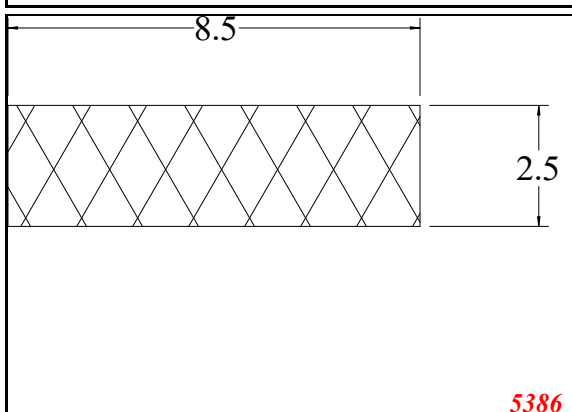
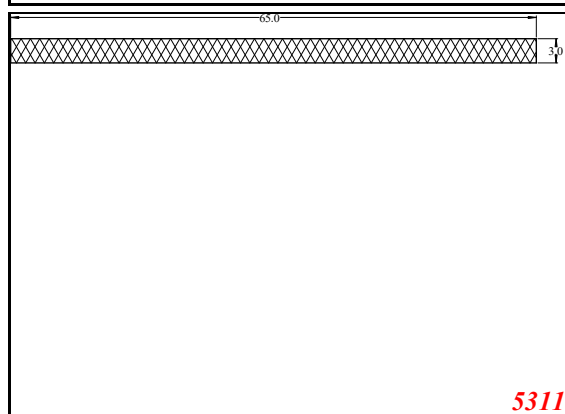
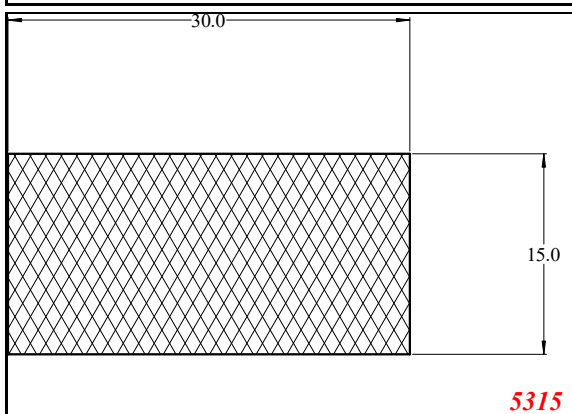
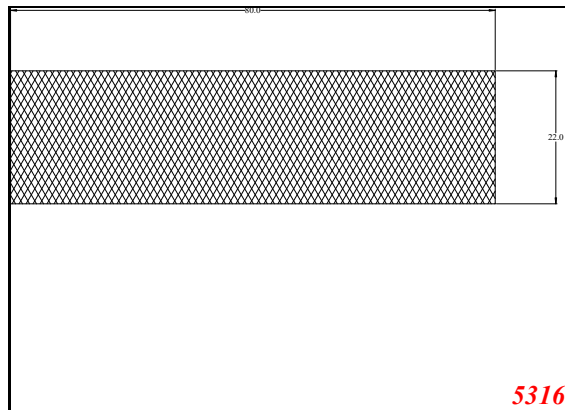
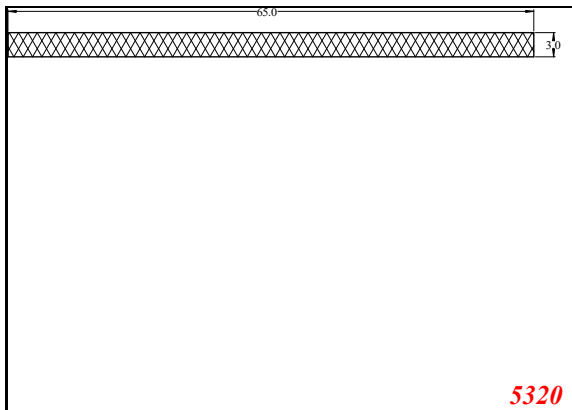
*Strip*



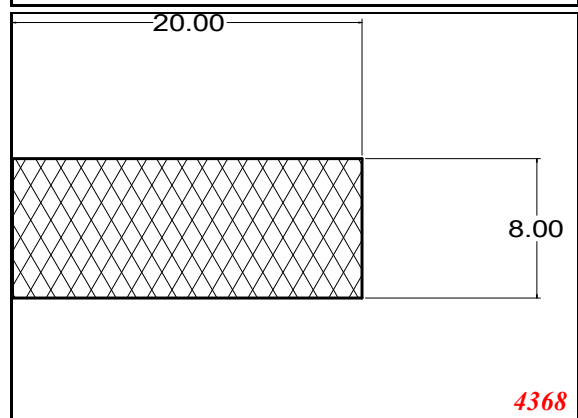
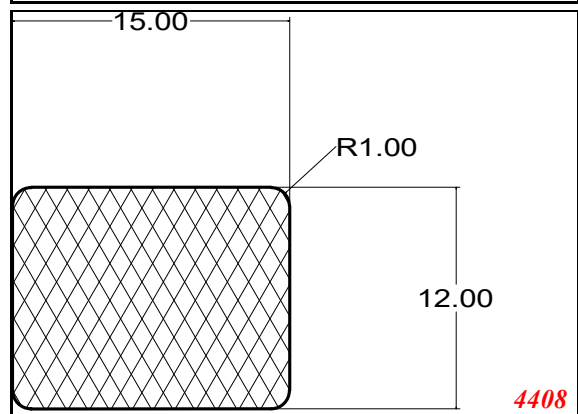
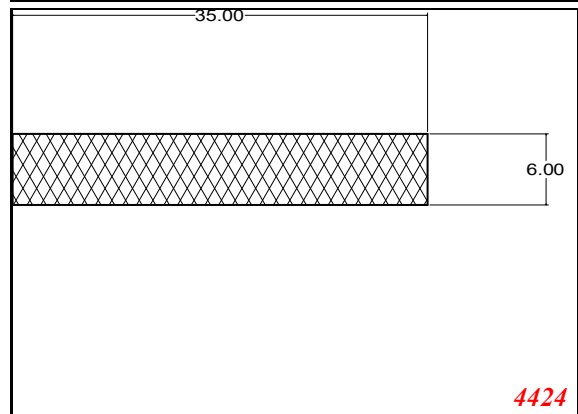
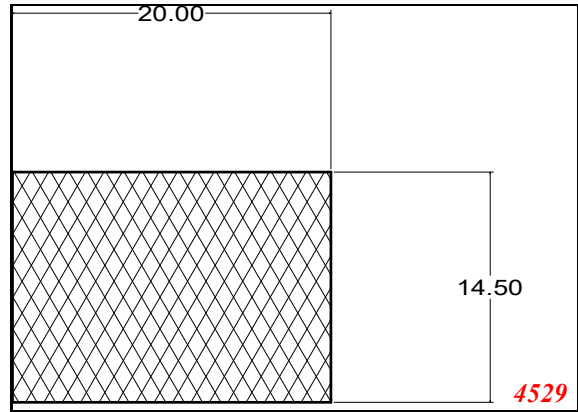
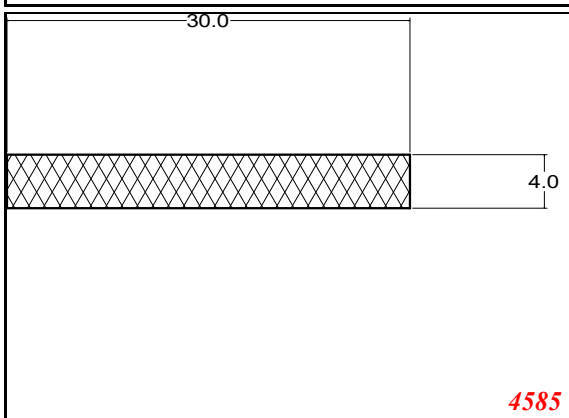
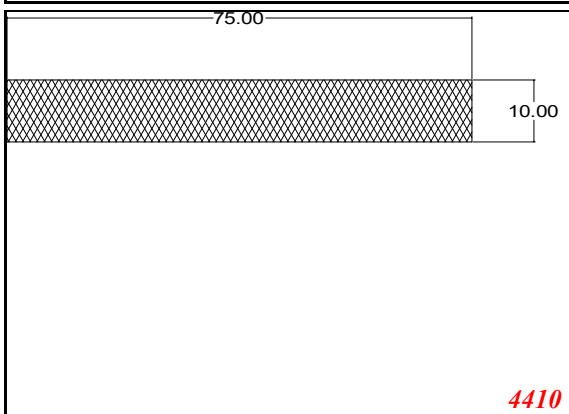
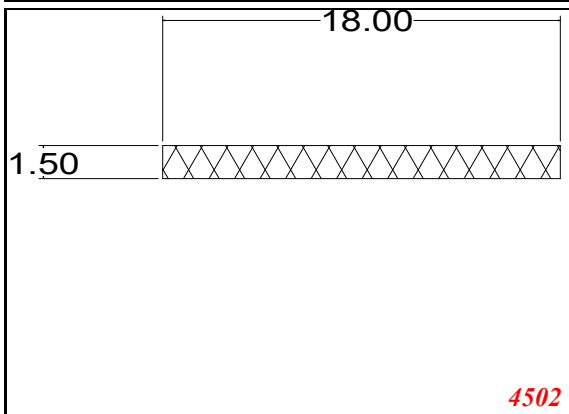
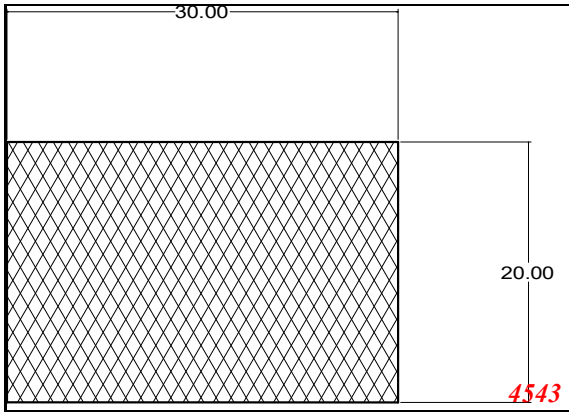
Strip



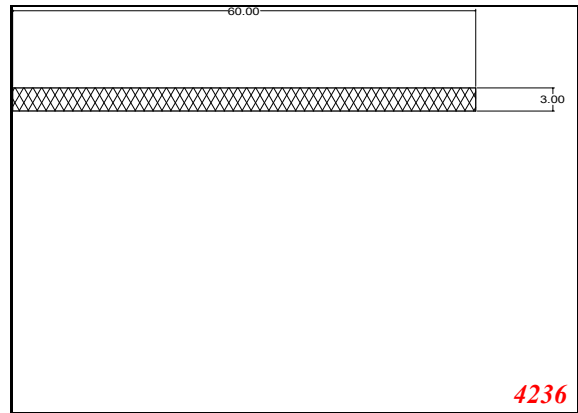
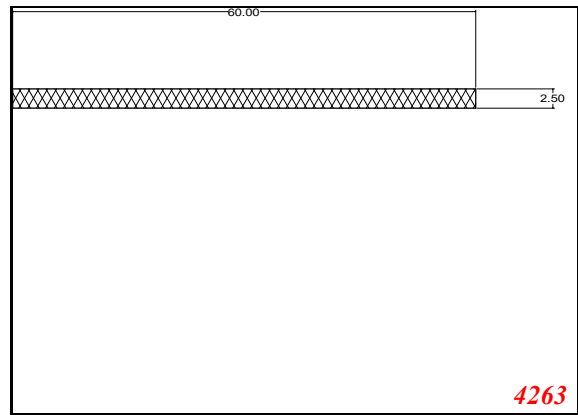
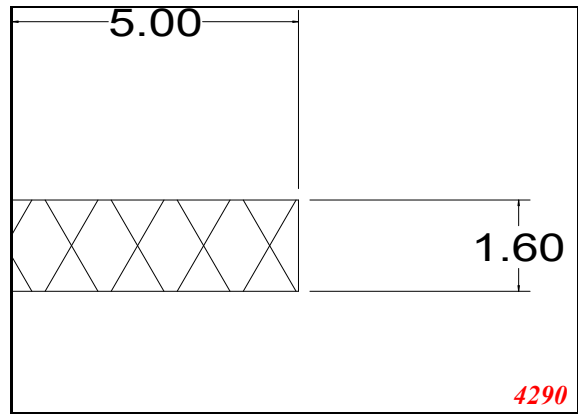
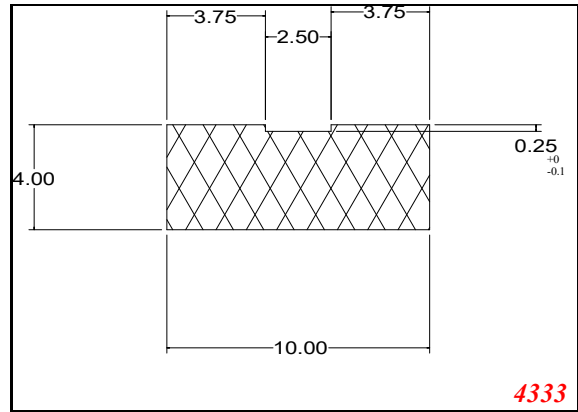
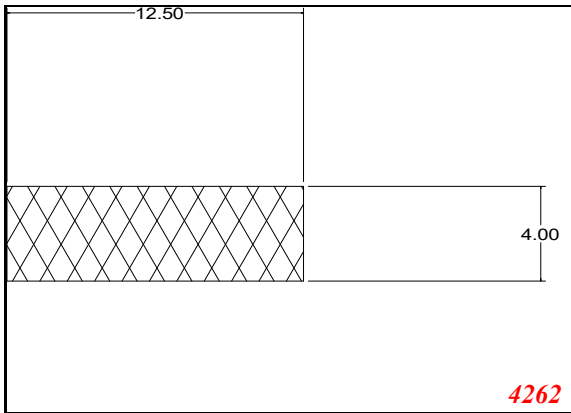
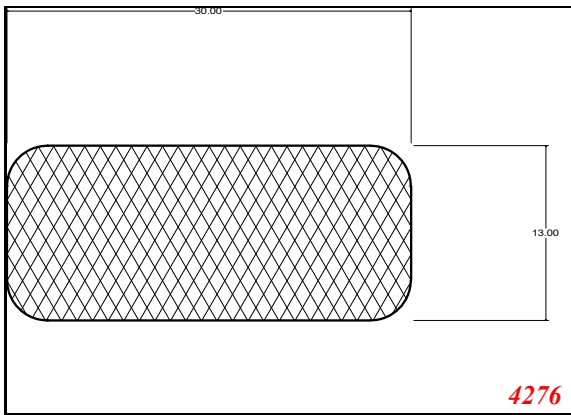
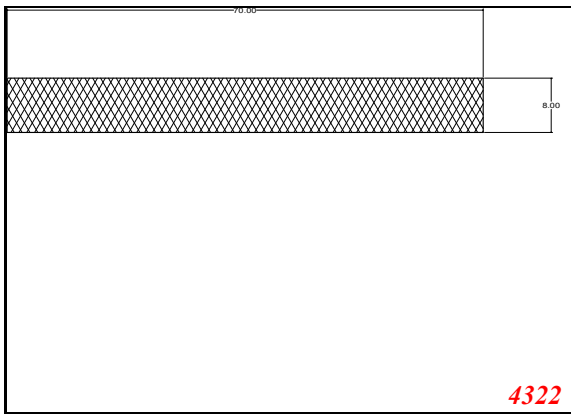
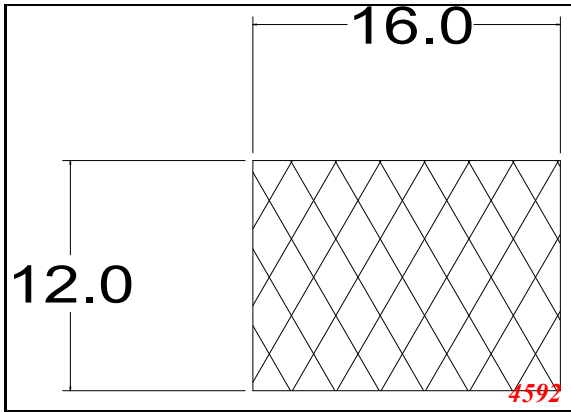
Strip



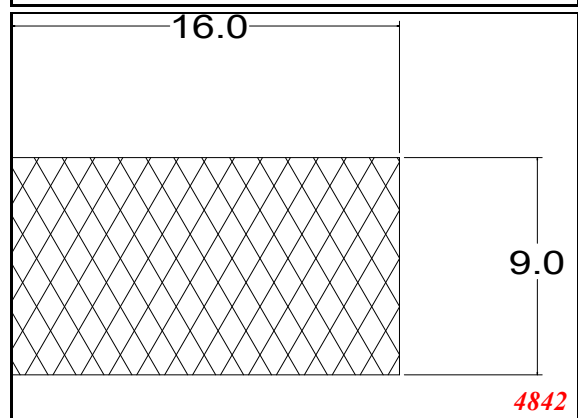
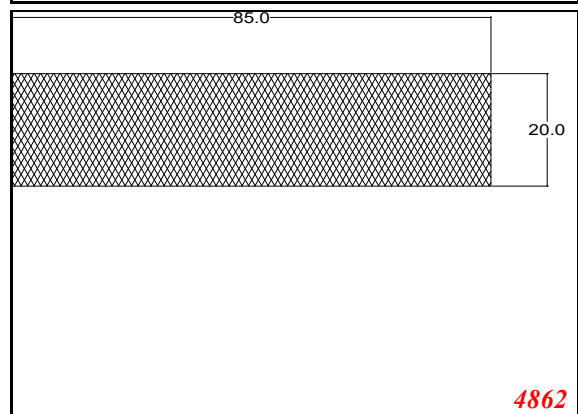
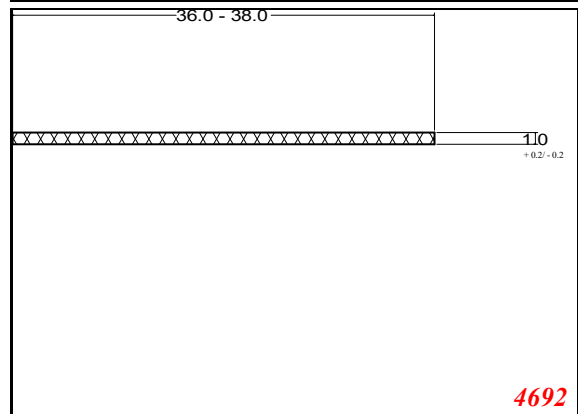
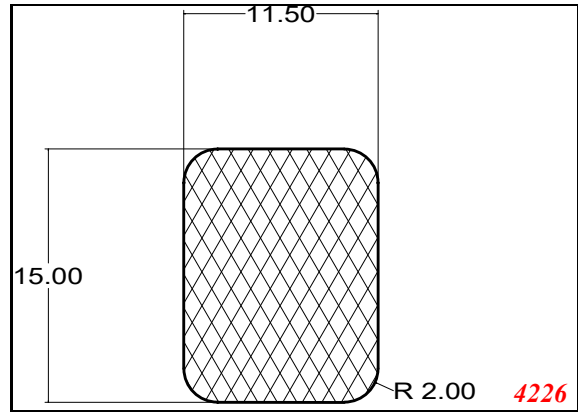
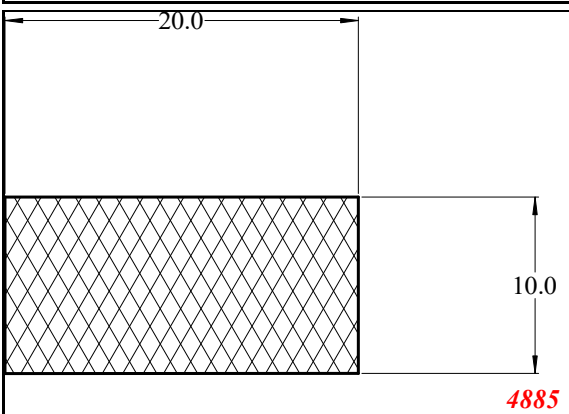
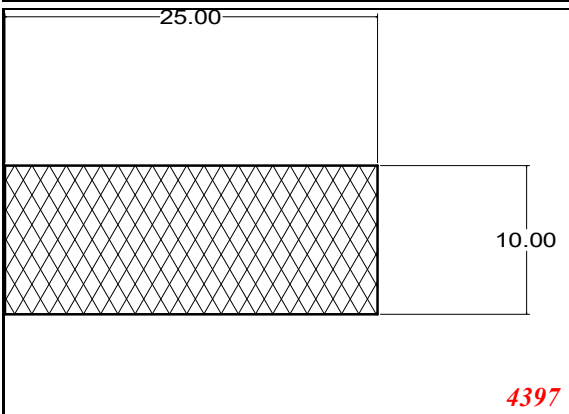
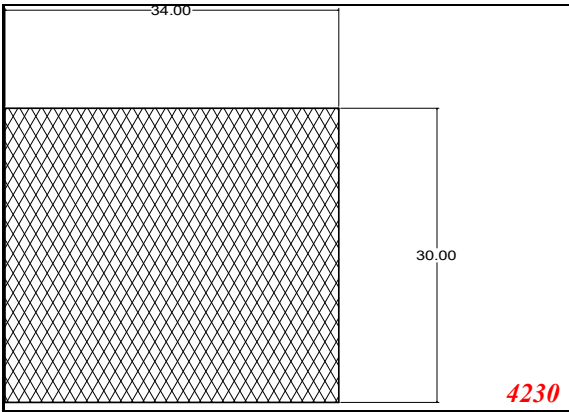
Strip



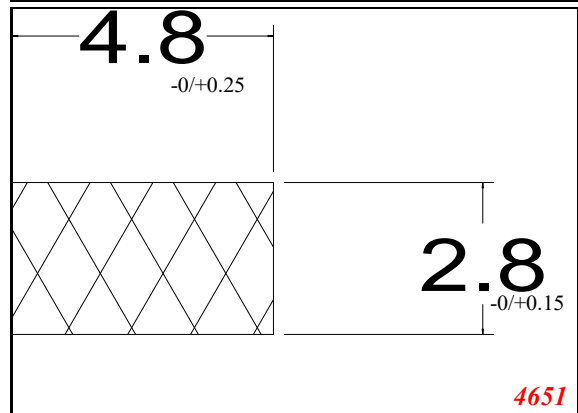
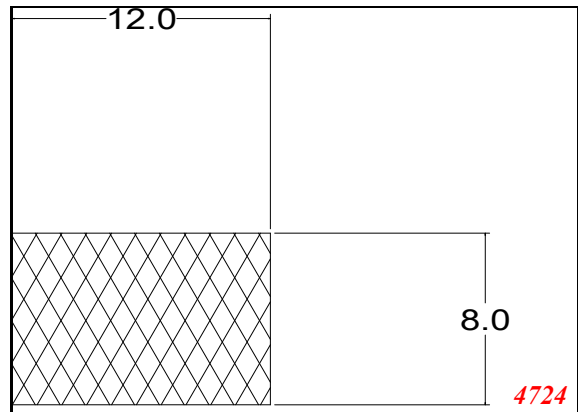
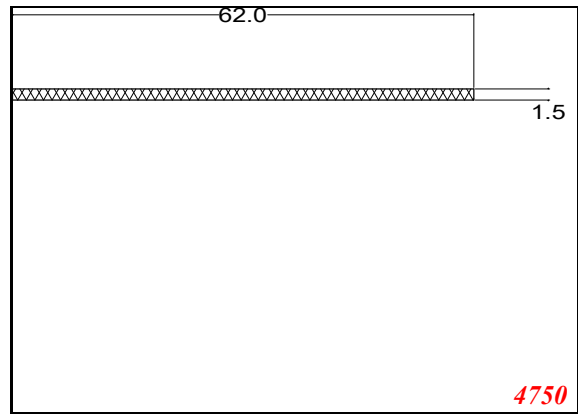
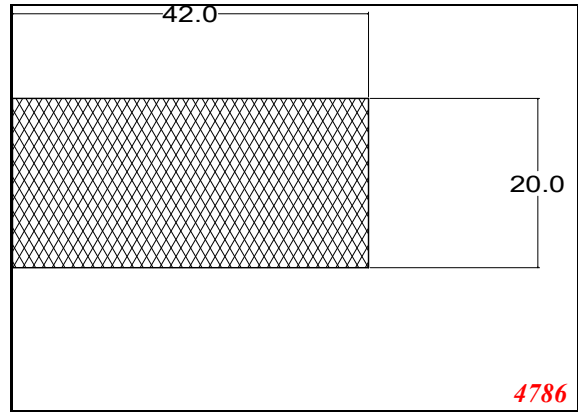
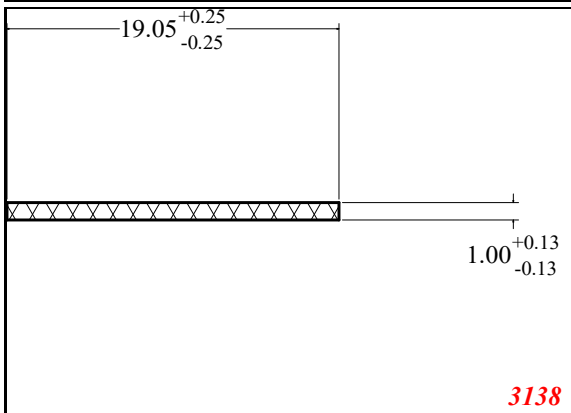
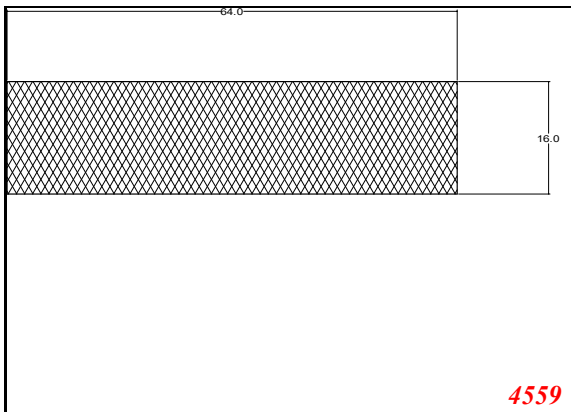
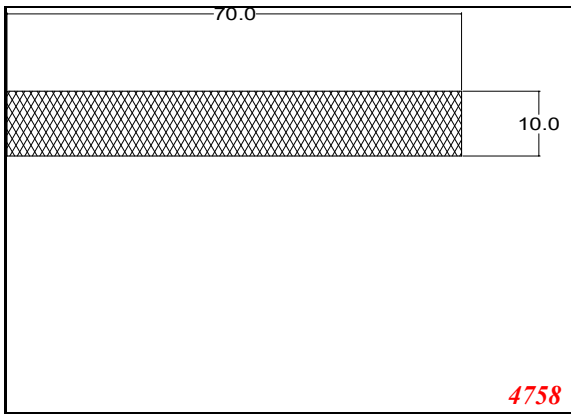
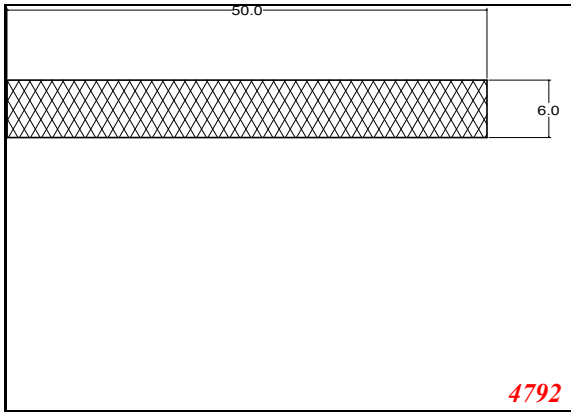
Strip



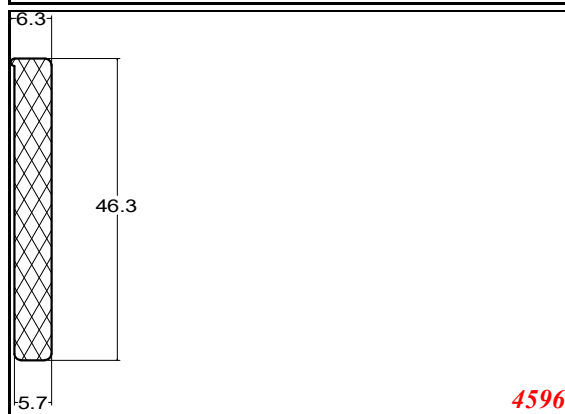
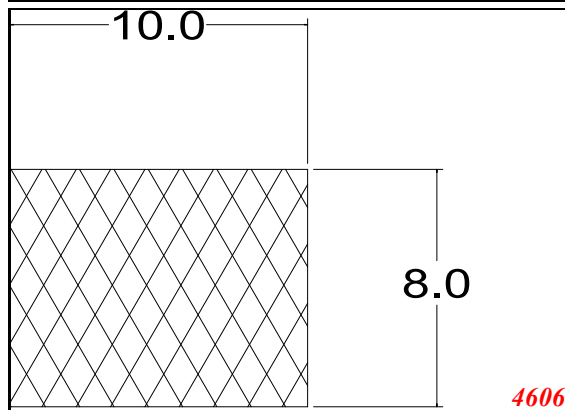
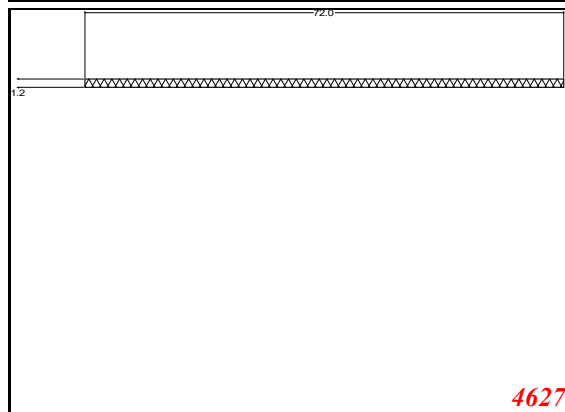
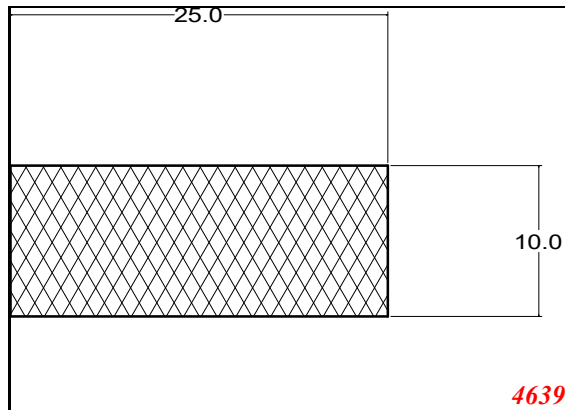
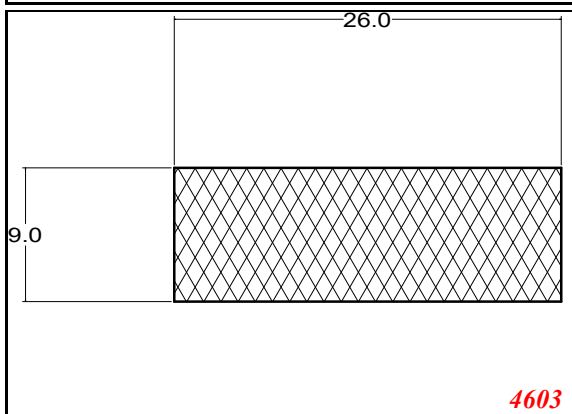
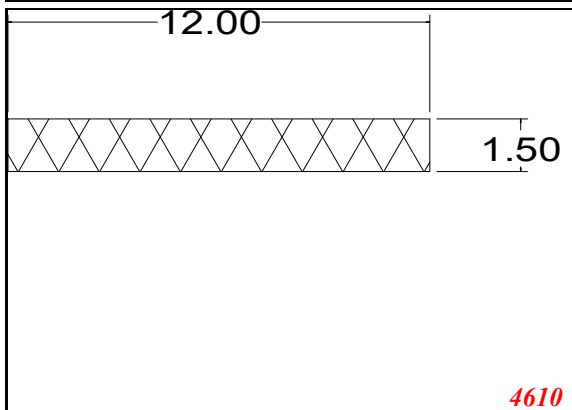
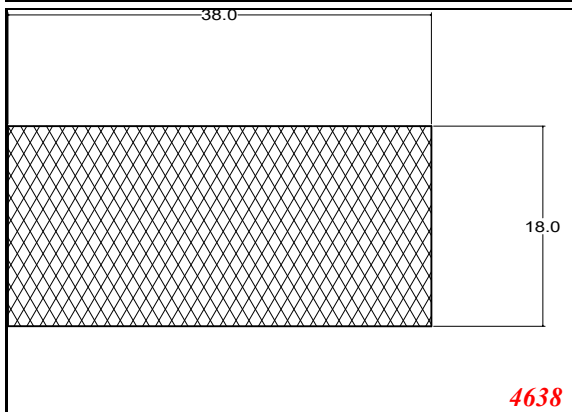
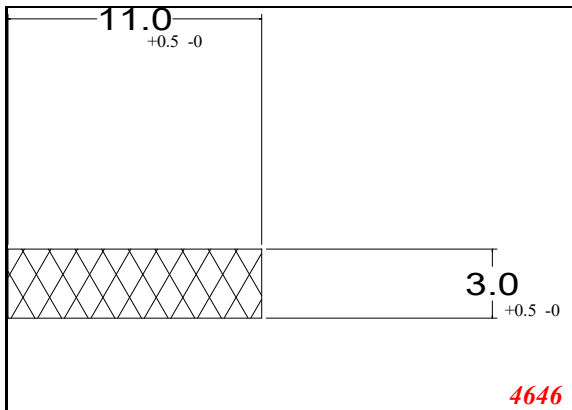
Strip



Strip



Strip





Strip

