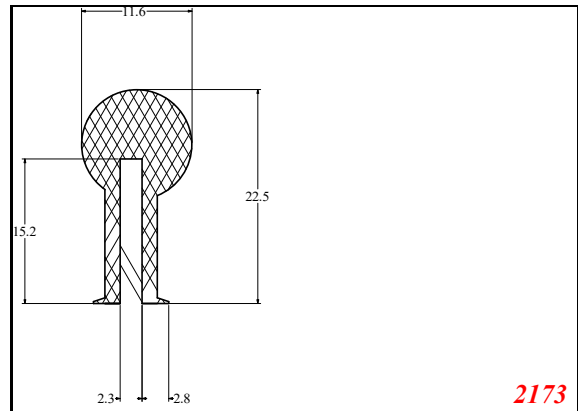
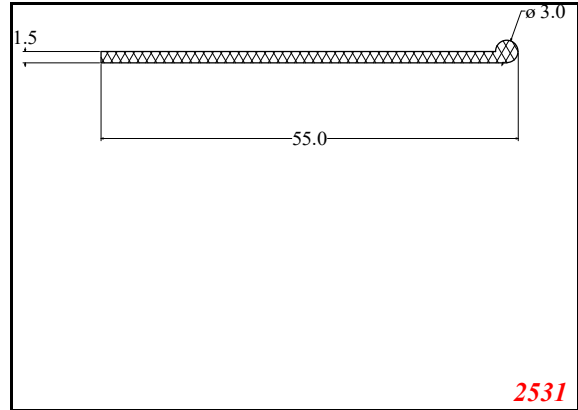
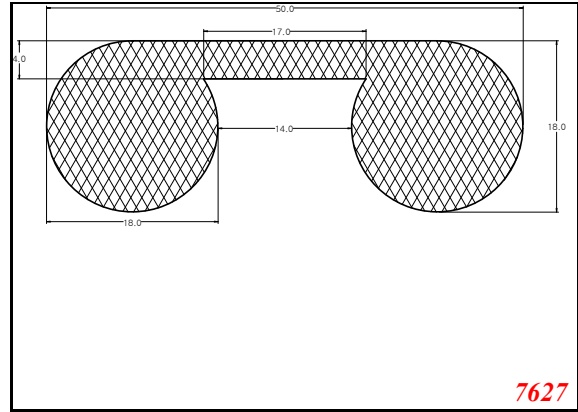
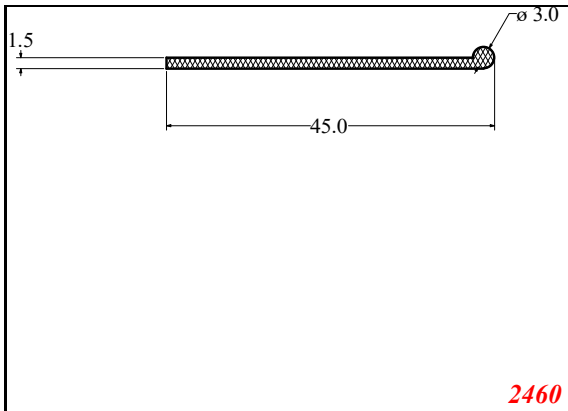
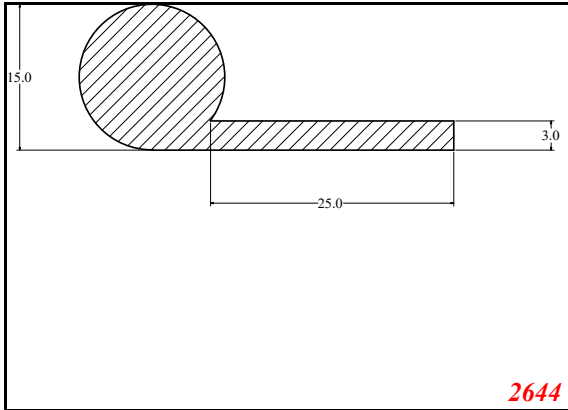
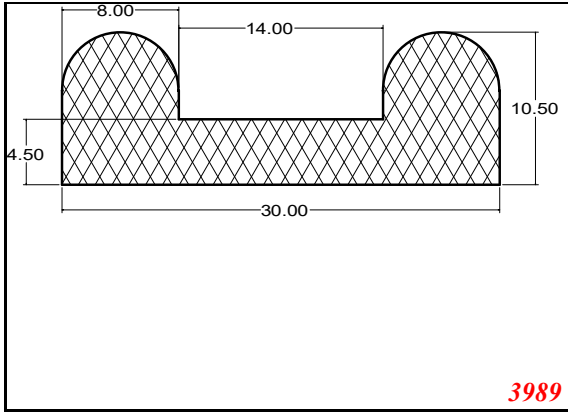
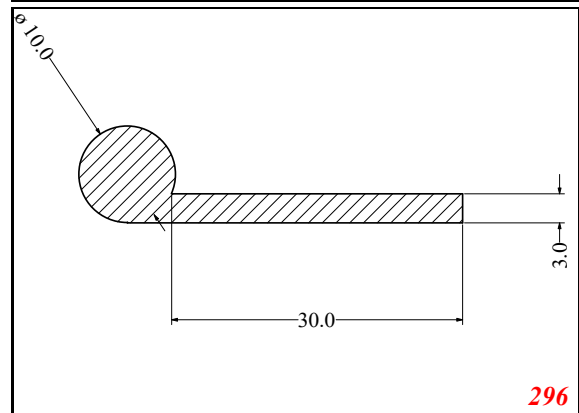
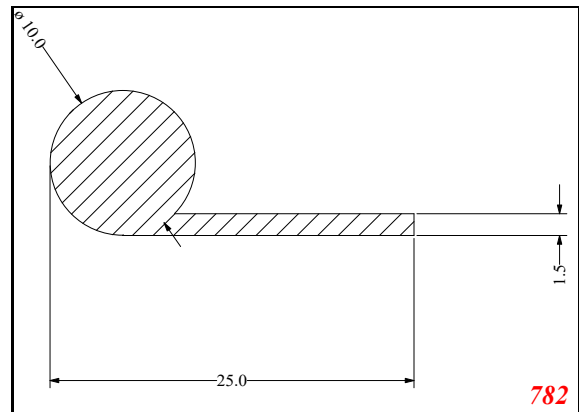
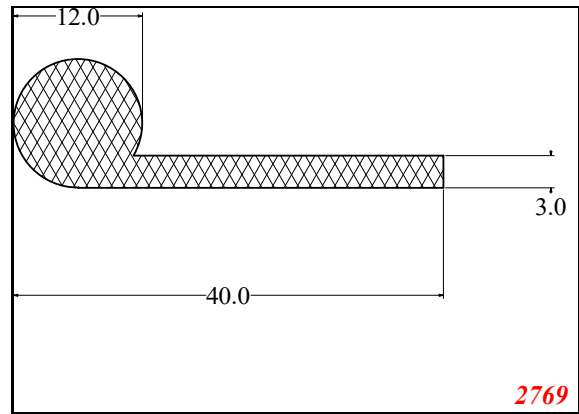
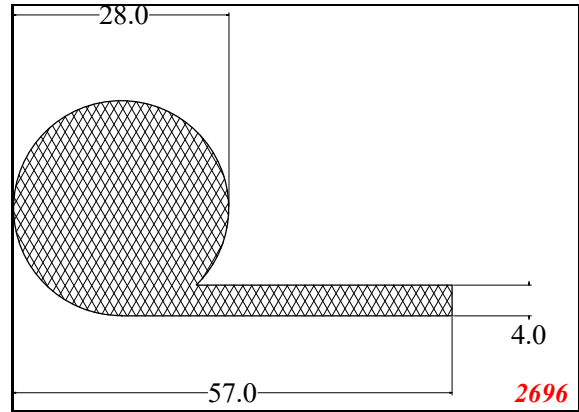
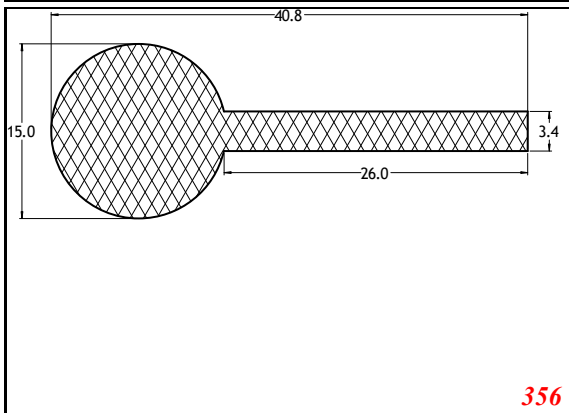
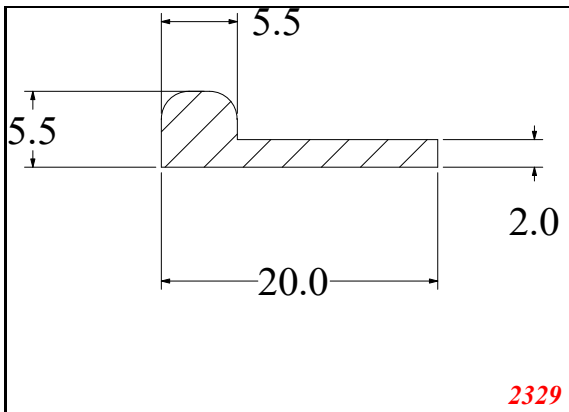
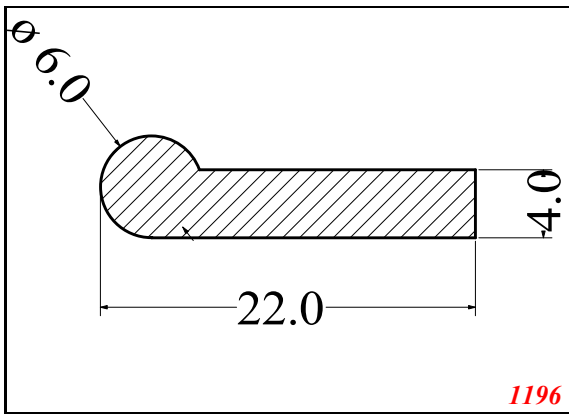
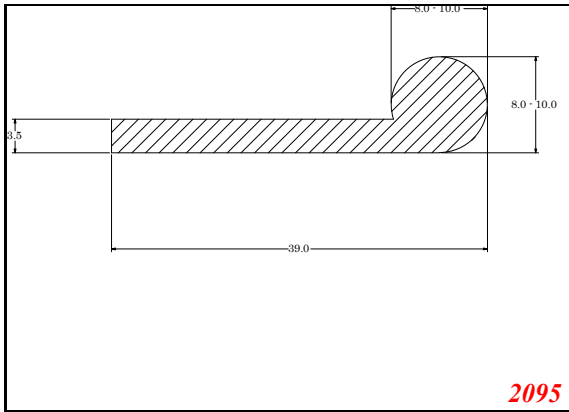


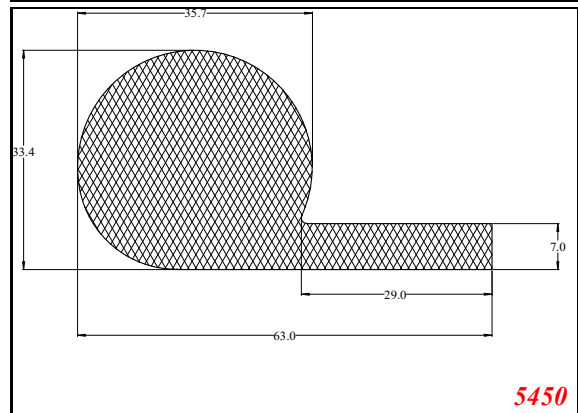
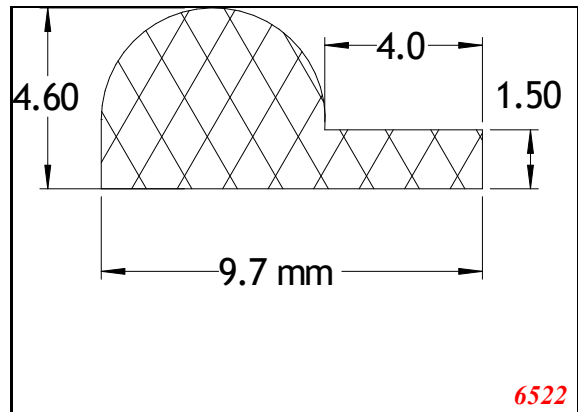
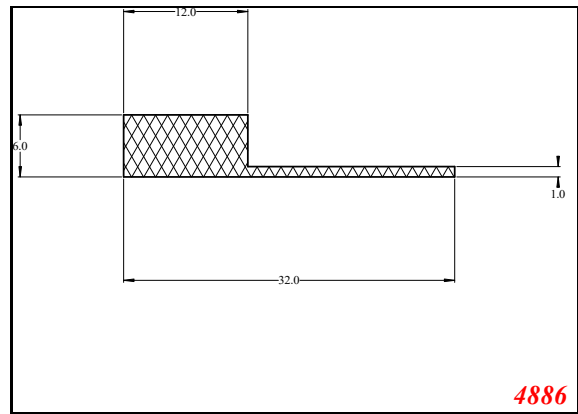
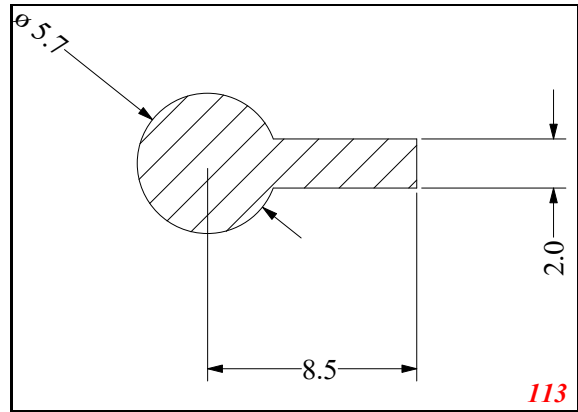
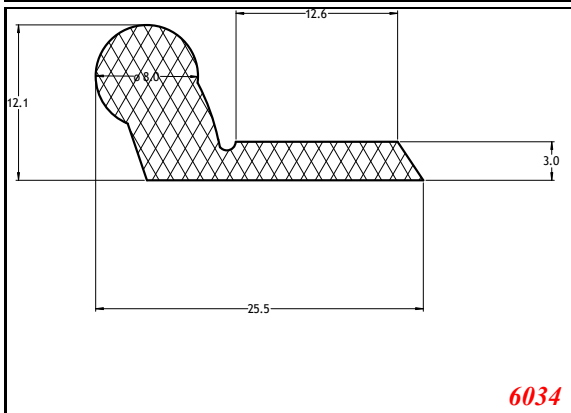
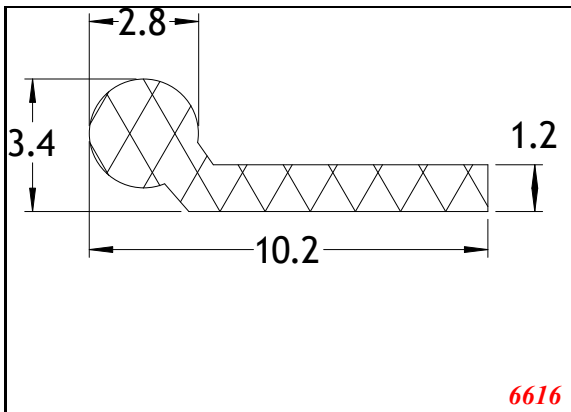
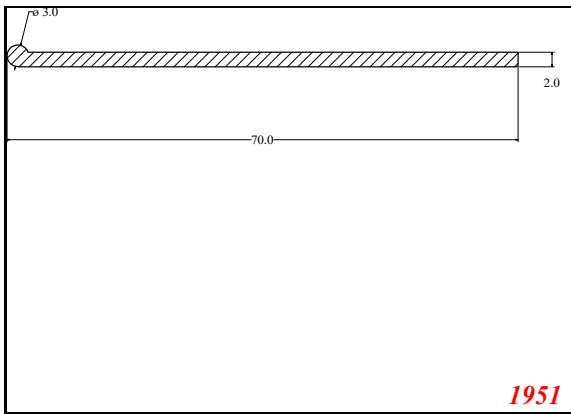
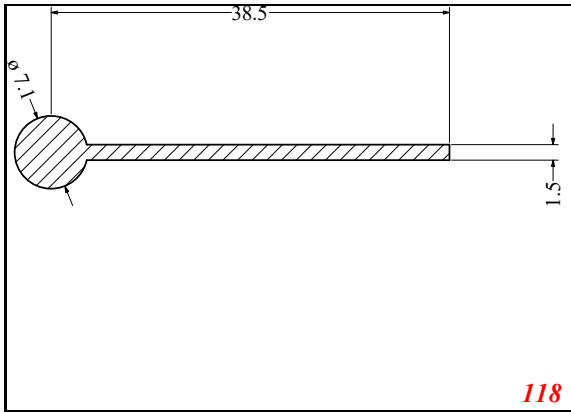
*P-Solid*



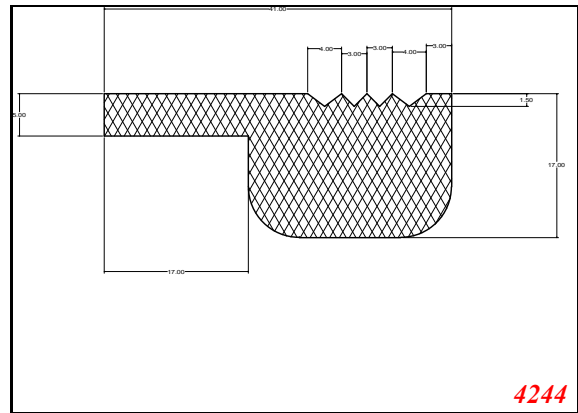
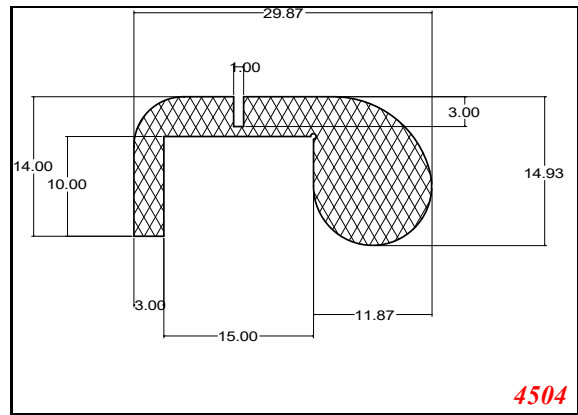
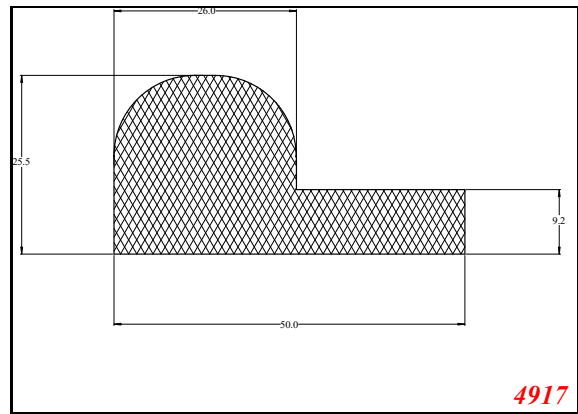
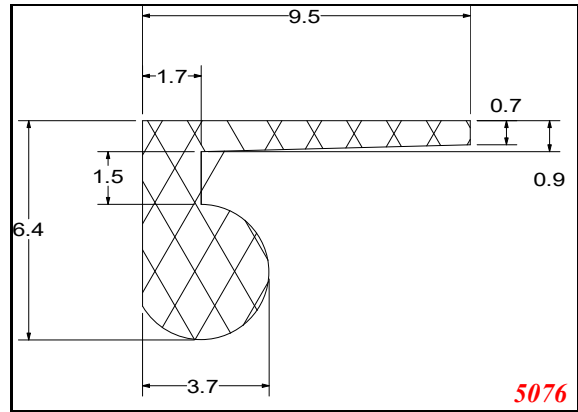
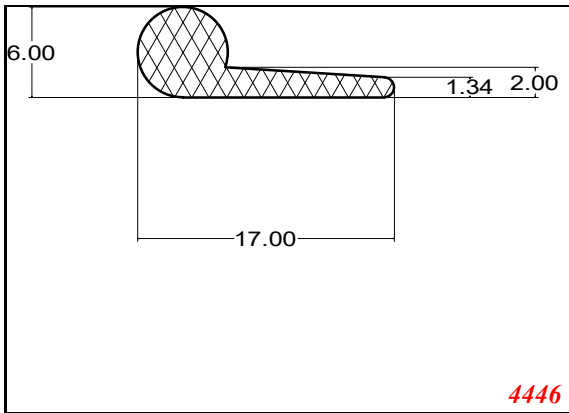
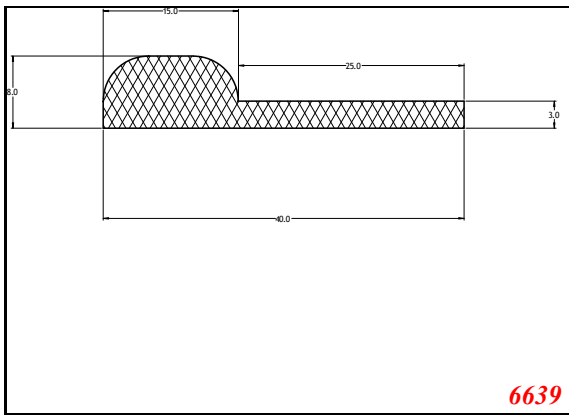
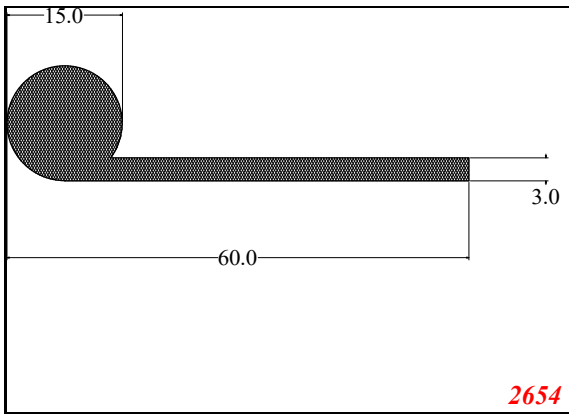
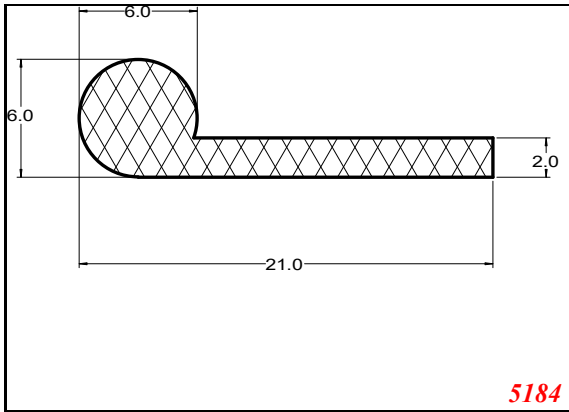
*P-Solid*



*P-Solid*



P-Solid



P-Solid

